

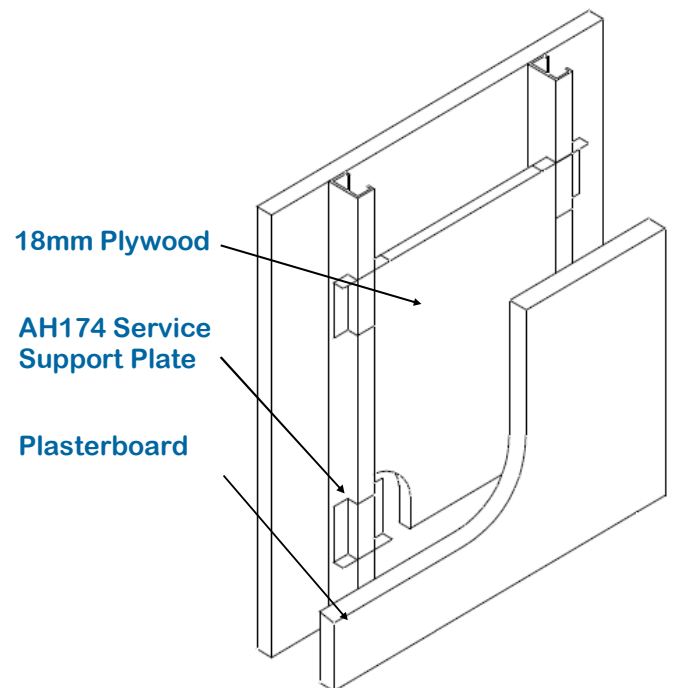
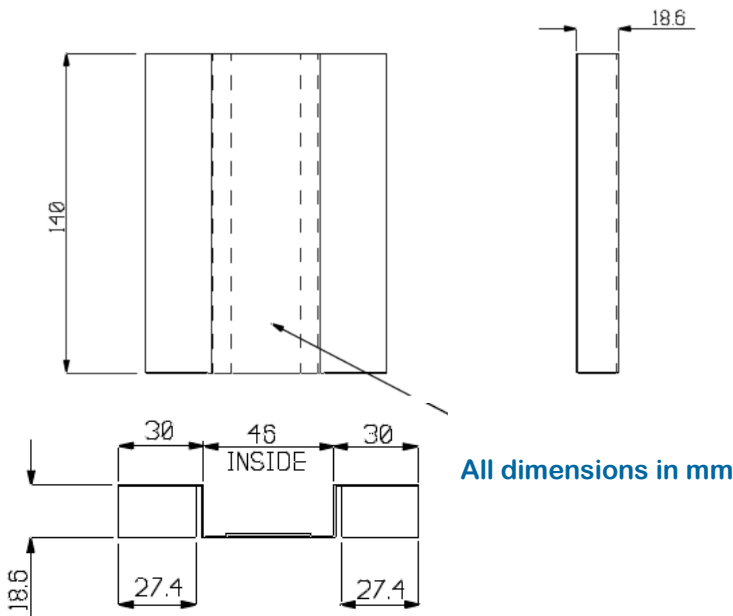
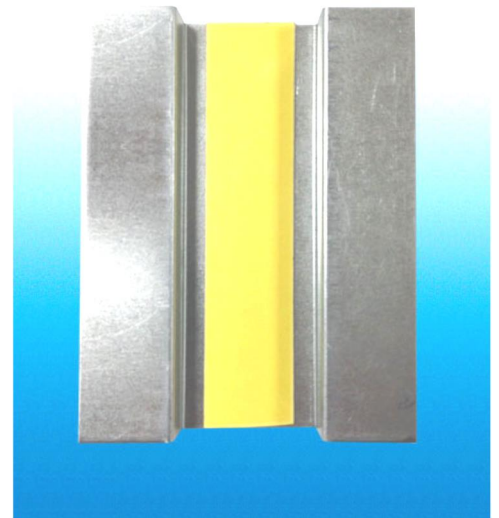
## Technical Datasheet

### Application

Fixes to stud, using adhesive strip, and used to secure plywood. The Plywood allows services to be fixed to the face of a partition

### Technical Details

Material	Galvanised Mild Steel
Thickness	0.6mm



### Health & Safety

As with all metal products, there is a risk from sharp corners or edges. Appropriate PPE should be used. Repeated contact with metal coatings may cause skin irritation.