

# AH198

# Framing Clip (GL10)

## Technical Datasheet

### Application

Encasement Clip (Steel Framing Clip) for cladding structural steel sections

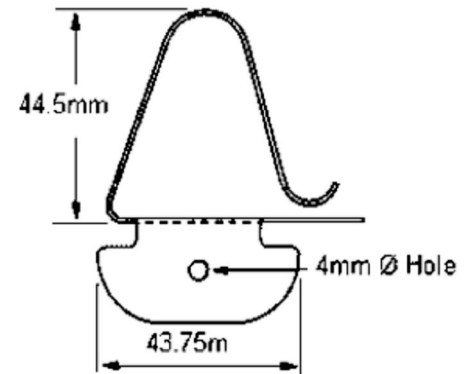


### Technical Details

**Material :** Cold Rolled Spring Steel to BS EN 10132—4:2000

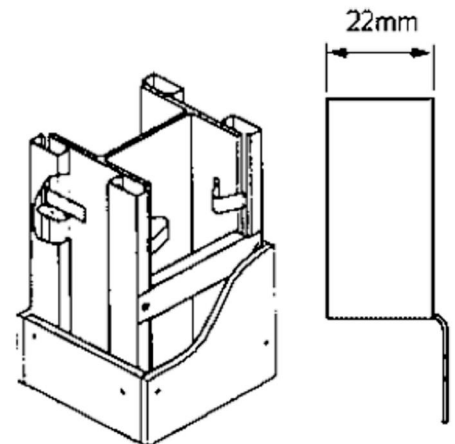
**Surface Finish:** Black Phosphate to EN12476

**Thickness** 1.0mm



### Health & Safety

As with all metal products, there is a risk from sharp corners or edges. Appropriate PPE should be used. Repeated contact with metal coatings may cause skin irritation.



Arthur Hough & Sons Limited  
Hilton Cross Business Park, Cannock Road  
Featherstone, Wolverhampton WV10 7QZ  
Tel: 01902 867717 Fax: 01902 867719  
Email: sales@ahough.com Website: www.ahough.com