

AH261

Service Support Plate (12mm)

Technical Datasheet

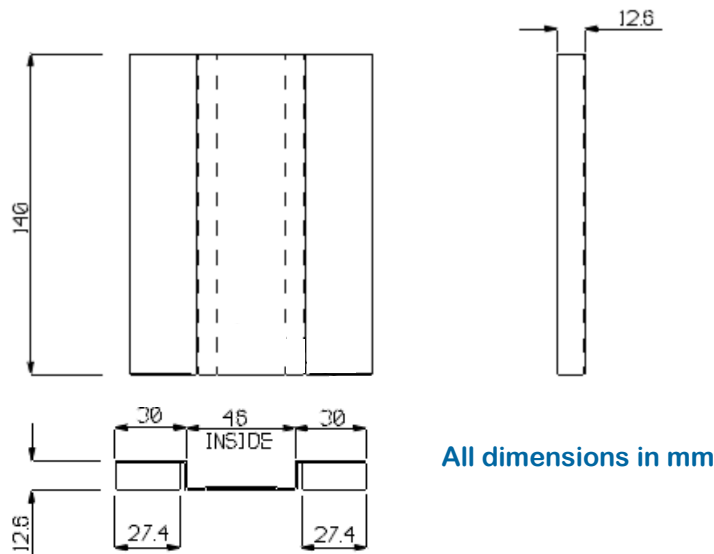
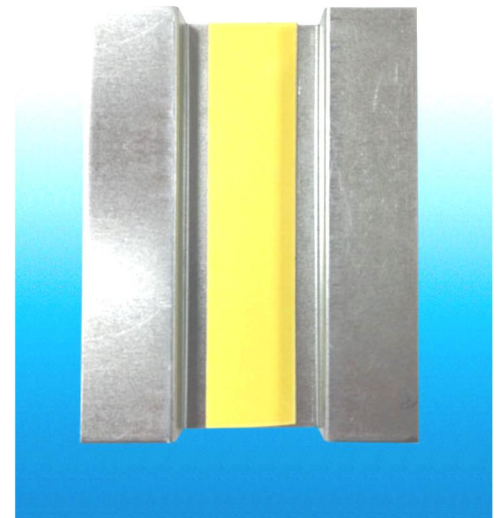
Application

Fixes to stud, using adhesive strip, and used to secure plywood. The plywood allows services to be fixed to the face of a partition

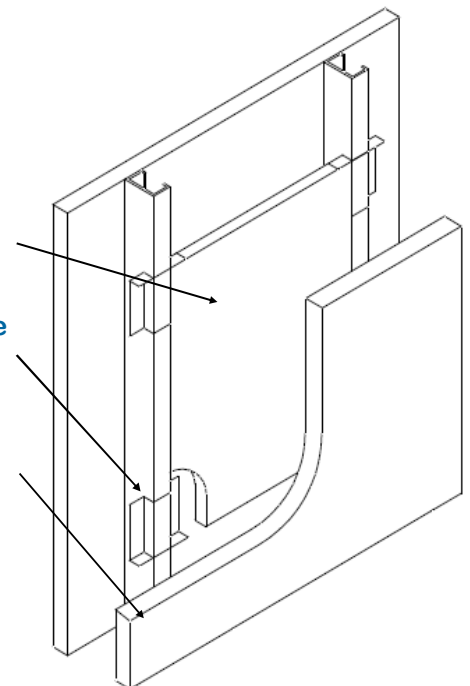
Technical Details

Material Galvanised Mild Steel

Thickness 0.6mm



Plywood
AH261 Service Support Plate
Plasterboard



Health & Safety

As with all metal products, there is a risk from sharp corners or edges. Appropriate PPE should be used. Repeated contact with metal coatings may cause skin irritation.

Arthur Hough & Sons Limited
Hilton Cross Business Park, Cannock Road
Featherstone, Wolverhampton WV10 7QZ
Tel: 01902 867717 Fax: 01902 867719
Email: sales@ahough.com Website: www.ahough.com