



loadall™

Product code: LA1500-PRO

- » Moving large quantities of sheet materials around site.
- » A high-capacity trolley for fewer trips.
- » Easier handling with optimal stability and manoeuvrability.



Product features



Suitable for site



Standard 200mm castors



Lashing points



Working load limit



Built in handles



SafeStop braking system

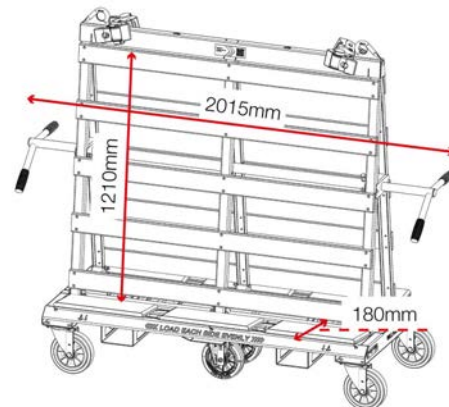


Forklift skids

Product specifications

Weight	155kg
Colour	Black grey: RAL 7021
Finished coating	Powder coated
Material & thickness	3mm steel, timber slats
How are castors fitted?	Bolted on
Assembly required?	No

Dimensions - External dimensions includes protrusions



Related products - Contact Armorgard to find out more



AdaptaKart AK750



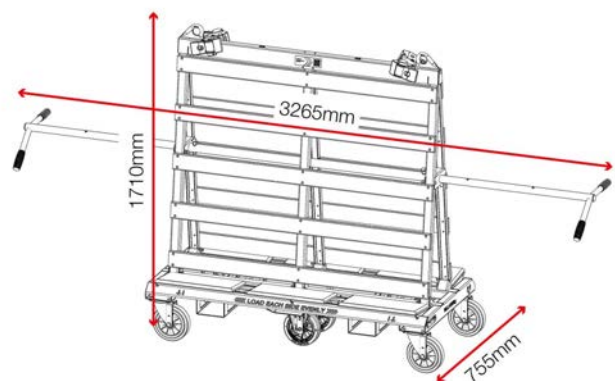
LoadAll LA750-PRO



Turntable TT1-PRO



LoadAll LA1500



Disclaimer: all dimensions and weights are approximate