



COMET SITE

SLIM FLOODLIGHTS



The Comet Site floodlight offers a wide range of outputs, supplied pre-wired cable and U shaped mounting bracket makes Comet extremely cost effective.

Features

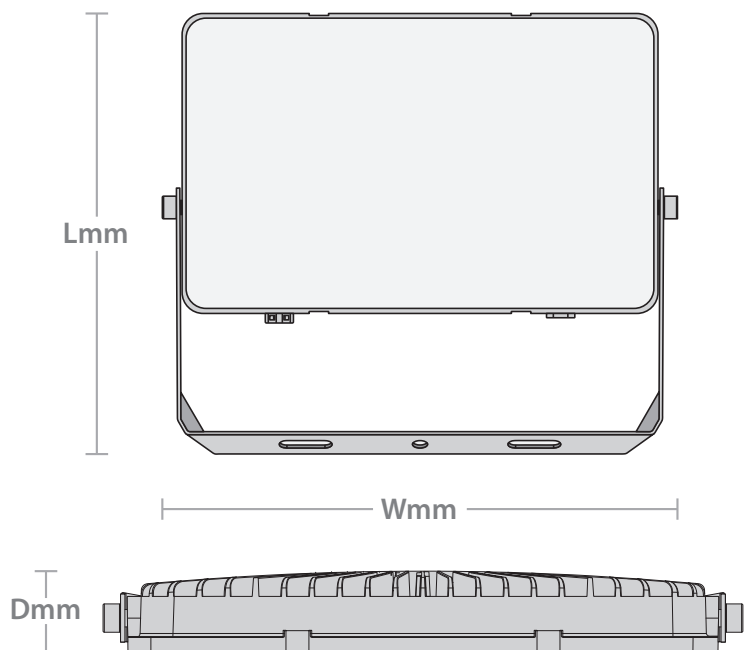
- Prewired 1m rubber cable
- U shaped mounting bracket



Specification

Material:	Body: Aluminium Lens: Glass
Colour Temperature:	4000K
Colour Finish:	Yellow (RAL1007)
CRI	Ra>80
LED Lifetime:	L70B50 50,000 hrs
IP Rating:	IP65
IK Rating:	IK07
Working Temperature:	-30°C to 45°C
Beam Angle:	110°
Electrical Class:	Class: I
Guarantee:	3 Years

Dimensions



Product Code	Description	Wattage	Lumen Output	Colour Temp	Efficacy	Dimensions	Weight (Kg)	Barcodes
CMT50Y	COMET SITE	50W	5000 lm	4000K	100 lm/W	L: 216 x W: 212 x D: 32mm	0.846	5055807625753
CMT100Y	COMET SITE	100W	10000 lm	4000K	100 lm/W	L: 251 x W: 290 x D: 37mm	1.445	5055807625760
CMT150Y	COMET SITE	150W	15000 lm	4000K	100 lm/W	L: 311 x W: 348 x D: 40mm	2.12	5055807625777
CMT200Y	COMET SITE	200W	20000 lm	4000K	100 lm/W	L: 374 x W: 414 x D: 41mm	3.09	5055807625784

Maximum Fittings Per Circuit

Automatic Circuit Breaker Type:	B6	B10	B13	B16	B20	C10	C13	C16	C20
Rated Current:	6A	10A	13A	16A	20A	10A	13A	16A	20A
Cable (mm):	1.5	1.5	1.5	1.5	2.5	1.5	1.5	1.5	2.5
CMT50Y:	8	13	17	21	25	16	21	25	25
CMT100Y:	4	6	8	10	13	8	10	13	16
CMT150Y	2	4	5	7	8	5	7	8	10
CMT200Y	2	3	4	5	6	4	5	6	8

ENERGY
Red Arrow
CMT50Y

A
B
C
D
E
F
G

50 kWh/1000h

2021 No. 1095

ENERGY
Red Arrow
CMT100Y

A
B
C
D
E
F
G

100 kWh/1000h

2021 No. 1095

ENERGY
Red Arrow
CMT150Y

A
B
C
D
E
F
G

150 kWh/1000h

2021 No. 1095

ENERGY
Red Arrow
CMT200Y

A
B
C
D
E
F
G

200 kWh/1000h

2021 No. 1095

www.redarrowelectrical.co.uk