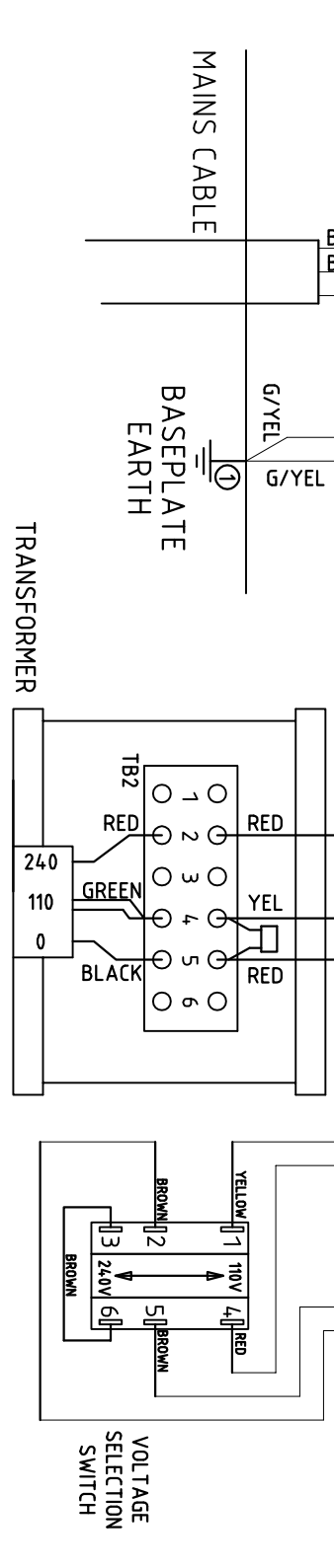
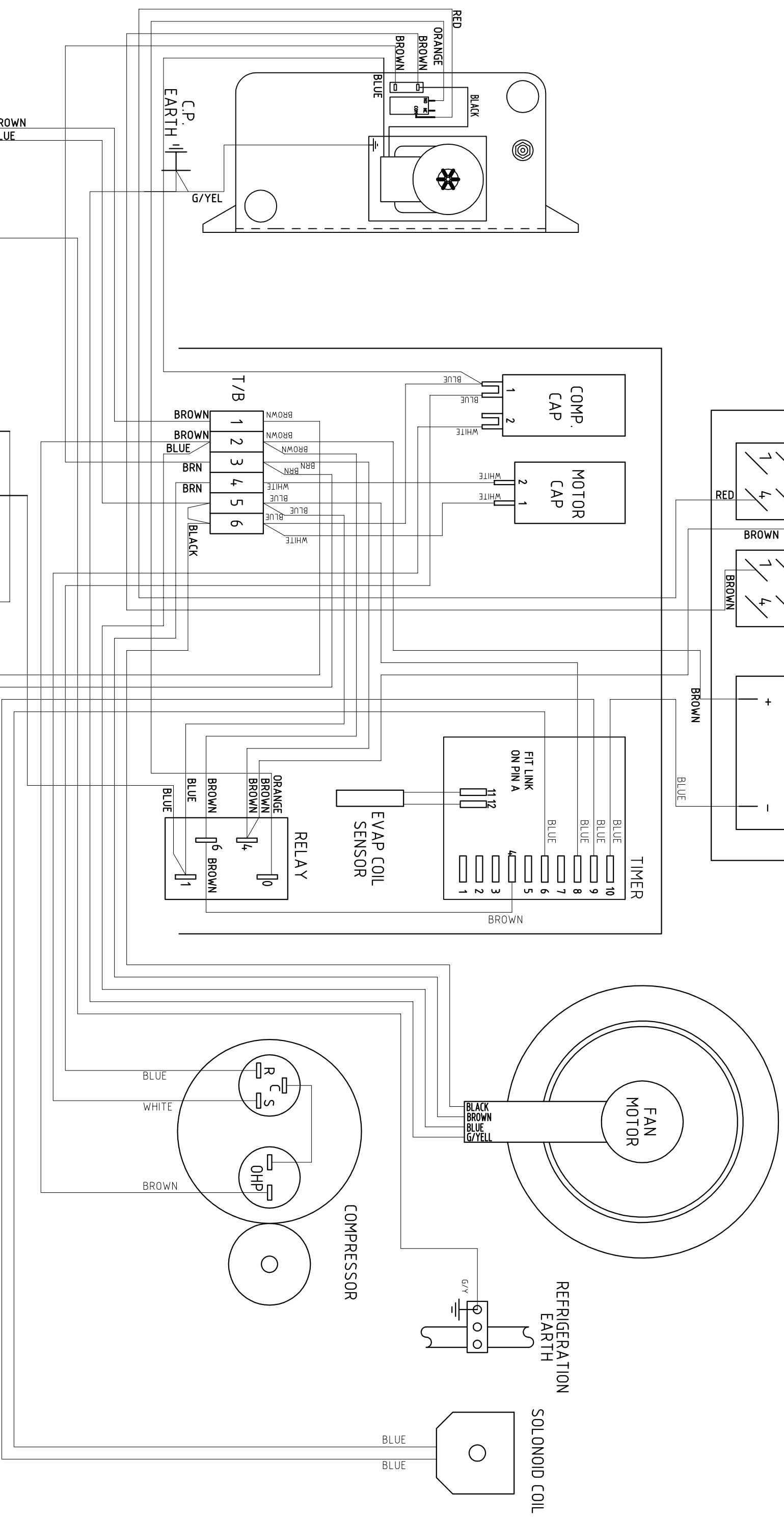
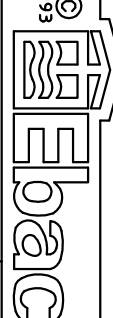


ISSUE	DATE	AMENDMENTS
1	11/06/12	ORIGINAL




**EBAC** LIMITED  
 BISHOP AUCKLAND ENGLAND

TITLE: EC085 - WIRING DIAGRAM - DUAL VOLTAGE  
 MATERIAL: -----  
 FINISH: -----  
 DRAWN: W DAGLISH  
 CAD SCALE: N/A  
 DRG.NO: 5010327  
 SHEET: 1 OF 1

3RD ANGLE PROJECTION  
 DO NOT SCALE  
 IF IN DOUBT ASK

DIMENSIONS IN M.M.  
 TOLERANCES UNLESS OTHERWISE STATED  
 0.0 ± 0.25  
 0.00 ± 0.05  
 ANGULAR ± 0.5 DEGREE