

GÖLZ®



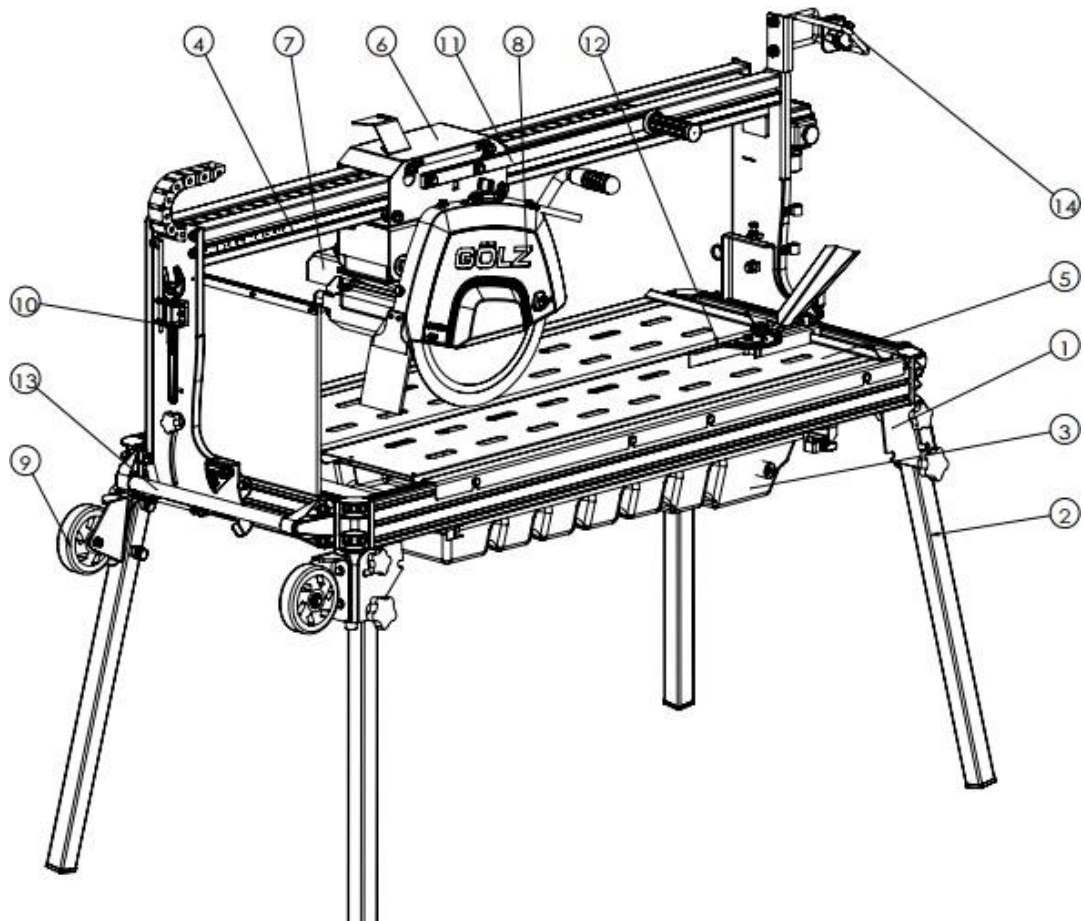
GS350A-120

Spare parts list

**GS350A-120
Spare parts list
Content**

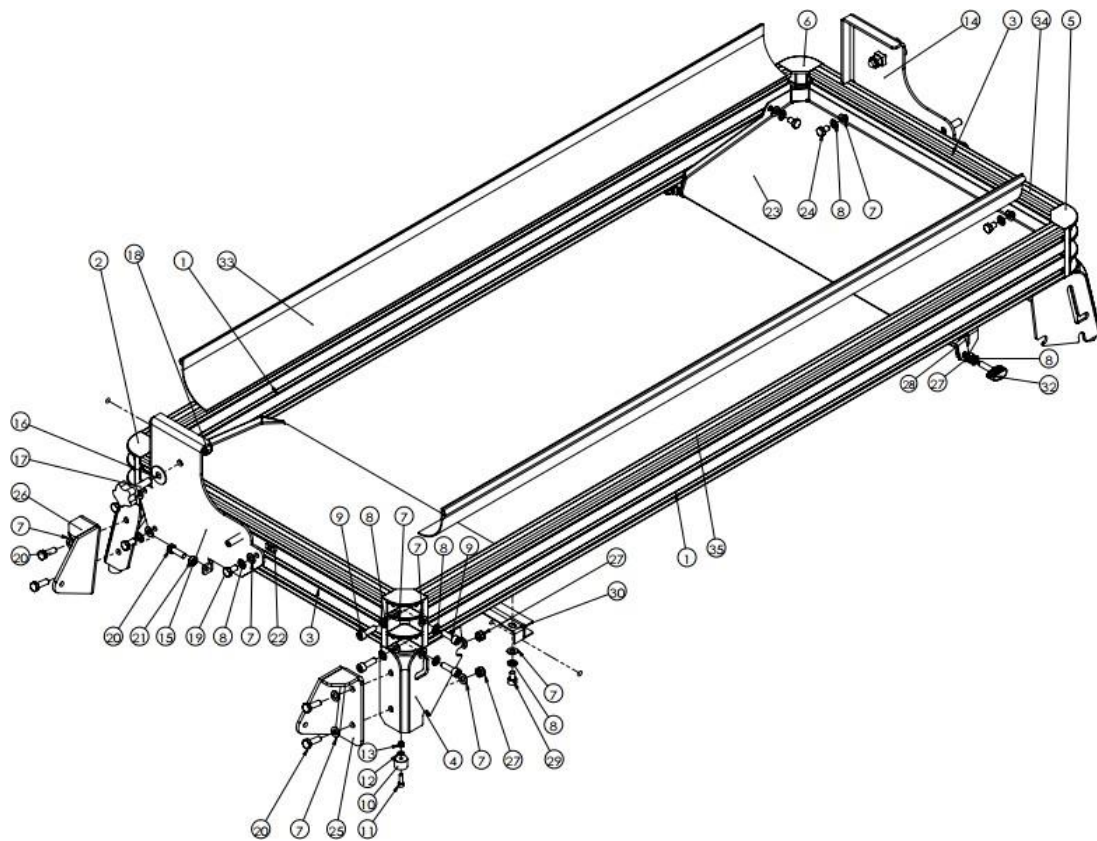
<u>1</u>	Machine A005222	3
<u>2</u>	Main frame assembly A005210	4
<u>3</u>	Leg assembly A002918	5
<u>4</u>	Water tray assembly A000183	6
<u>5</u>	Rail assembly A006099	7
<u>6</u>	table assembly A005310	8
<u>7</u>	sliding rack assembly A000940	9
<u>8</u>	cutting head assembly A000939	10
<u>9</u>	Blade guard assembly A002700	11
<u>10</u>	Transport wheel assembled A000142	12
<u>11</u>	Tools holder and tools A002601	12
<u>12</u>	Long handle assembly A001524	13
<u>13</u>	Steel guide-a-cut assembly A000729	14
<u>14</u>	hand assembly A005920	15
<u>15</u>	Water plug assembly A000213	16
<u>17</u>	Cutting head stop assembly A003131	17
<u>18</u>	Bearing & spindle assembly A000928	17
<u>19</u>	Eccentric spindle assembly A000929	18
<u>20</u>	Cutting handle assembly A001520	19
<u>21</u>	Wheel D125 d12 W36 A000220	19

1 Machine A005222



Position No	Article No	Description	Qty
1	CTS000098	main frame assembly	1
2	CMS000129	leg assembly	4
3	CMS000010	water tray assembly	1
4	CTS000106	rail assembly	1
5	CTS000099	table assembly	1
6	CMS000110	sliding rack assembly	1
7	CMS000109	cutting head assembly	1
8	CMS000103	350 blade guard assembly	1
9	CMS000013	transportation wheel assembly	2
10	CMS000100	tools holder and tools	1
11	CMS000112	long handle assembly	1
12	CTS000014	steel guide-a-cut assembly	1
13	CTS000100	handle assembly	2
14	CTS000102	laser frame assembly GS	1

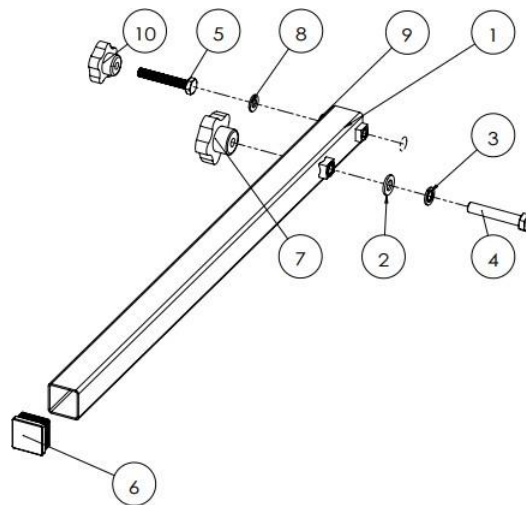
2 Main frame assembly A005210



Position No	Article No	Description	Qty
1	C04021805	profile 30x90	2
2	C04021714	foot stand S1	1
3	C04021807	profile 30x90	2
4	C04021715	foot stand S2	1
5	C04021716	foot stand L1	1
6	C04021717	foot stand L2	1
7	C02030017	washer ISO 7089- 8 - 140HV	42
8	C02030006	spring washer DIN127-A8	36
9	C02010066	Hexagon socket head cap screw ISO 4762-M8x25	16
10	C03020157	PU mat	4
11	C02010063	hex socket head cap screw ISO4762-M5x16	4
12	C02030016	washer ISO 7089- 5 - 140HV	4
13	C02020045	nylon locking nut ISO7040-M5	4
14	C04021811	front support bracket welded	1
15	C04021812	rear support bracket welded	1
16	C03010146	nylon washer ϕ 10	2
17	C03010117	grip knob star M10x35	2
18	C02020008	nylon lock nut DIN982 M10	2
19	C02010042	hex head screw ISO 4017 - M8x16	6

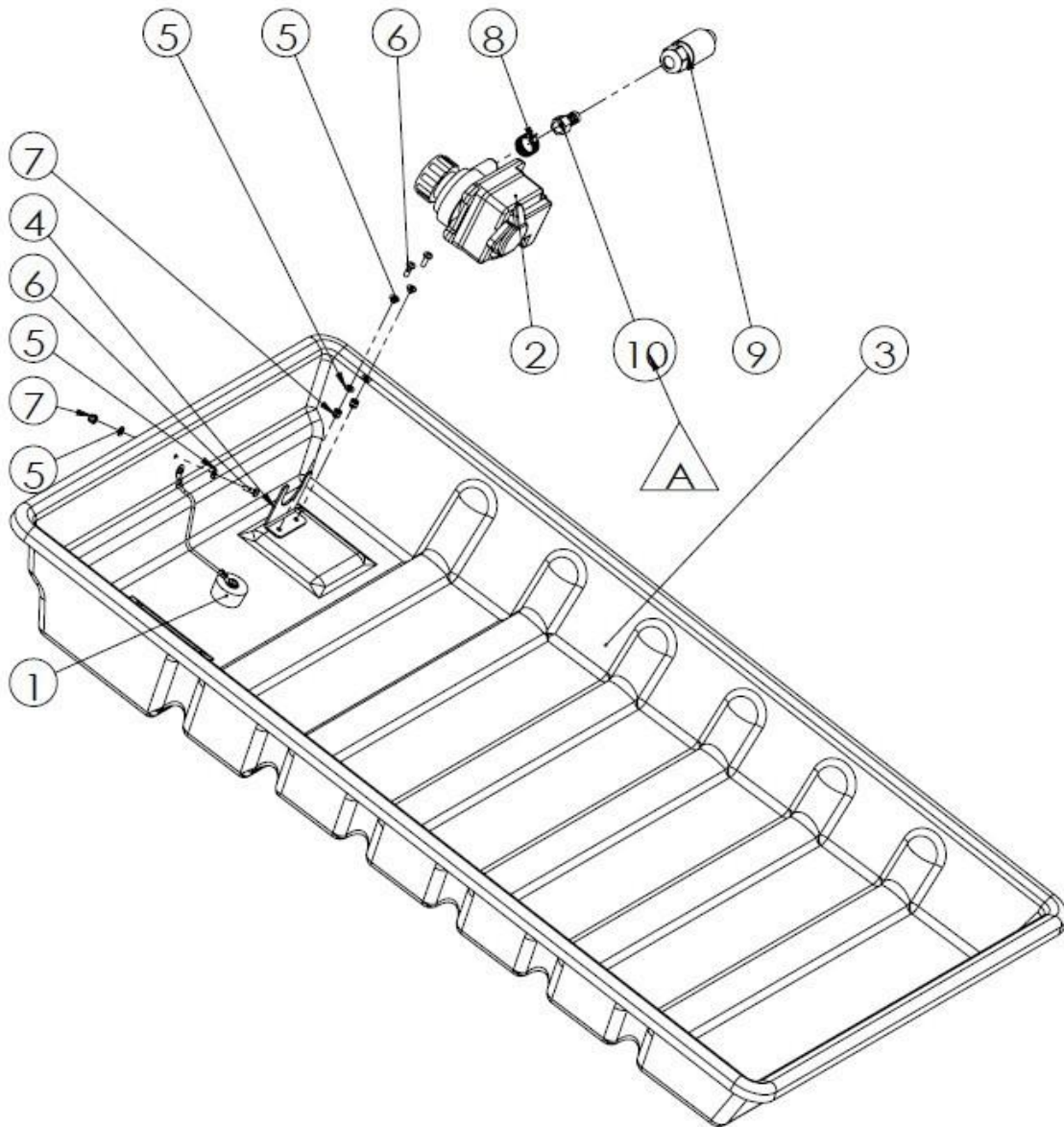
20	C02010044	hex head screw ISO 4017 - M8x25	6
21	C02020012	hex nut ISO4032-M8	2
22	C04021709	profile nut M8	18
23	C04021814	water guide plate	2
24	C02010121	hex head screw ISO4017-M8x12	8
25	C04021710	wheel frame	1
26	C04021711	wheel frame	1
27	C02020010	ISO7040-M8	6
28	C04021831	support plate welded	1
29	C02010080	Hexagon socket head cap screw ISO 4762-M8x12	4
30	C04021833	support plate 2 welded	1
32	C03010029	grip knob GN 531-32-M8-30	2
33	C03020158	Rubber strip	2
34	C03010209	sealing side	2
35	C03010210	sealing side	2

3 Leg assembly A002918



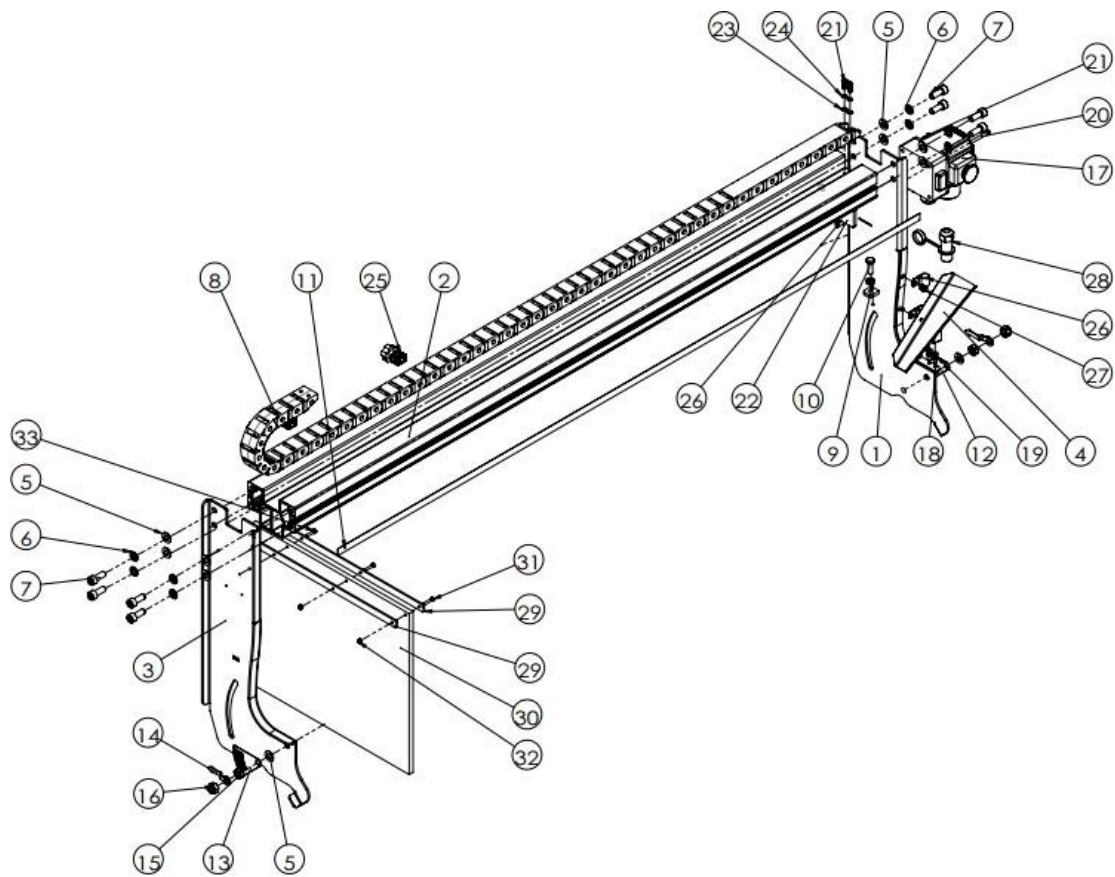
Position No	Article No	Description	Qty
1	C04021005	leg welded	1
2	C02030021	washer-ISO7089-12	1
3	C02030024	spring washer DIN127-A12	1
4	C02010168	hex head screw DIN933-M12x70	1
5	C02010252	hexagon head bolt DIN931-M10x65	1
6	C03010047	plastic leg support	1
7	C03010139	grip knob 65	1
8	C02030012	washer ISO 7089- 10 - 140HV	1
9	C02030008	spring washer DIN127-A10	1
10	C03010024	grip knob VTC50 M10	1

4 Water tray assembly A000183



Position No	Article No	Description	Qty
1	CMS000011	water plug assembly	1
2	C05010006	water pump 230V 50W	1
3	C03010020	water tray	1
4	C04020144	pump holder	1
5	C02030015	washer ISO7089-4	6
6	C02010038	cross pan head screw ISO 7045-M4x12	3
7	C02020009	nylon lock nut ISO7040-M4	3
8	C04020281	hose clamp \varnothing 16.2	1
9	C05020004	plug male SP2110/P3	1
10	C02070003	gas union 1/4" female	1

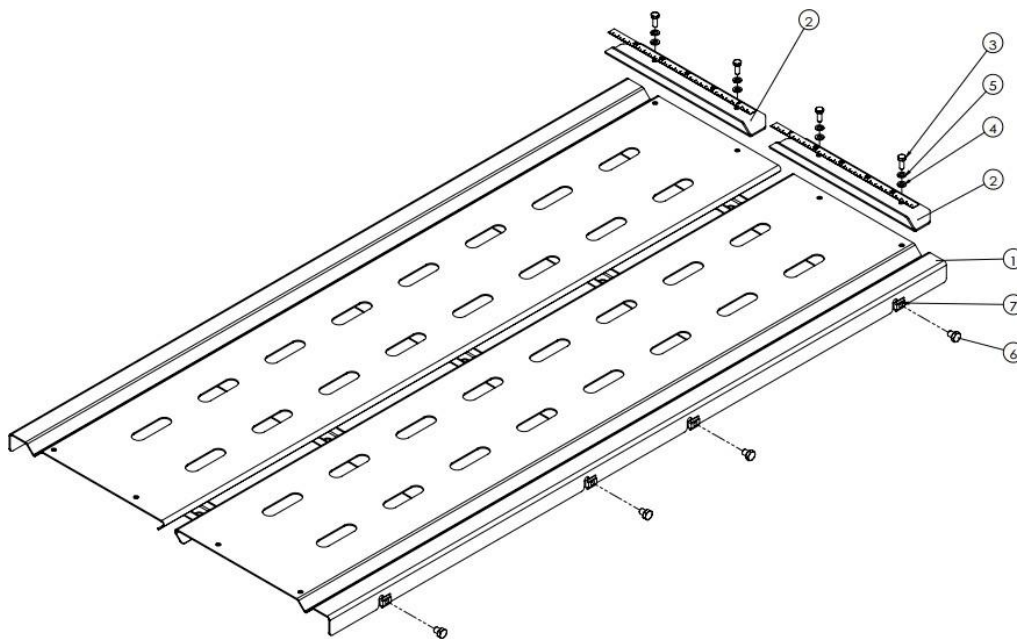
5 Rail assembly A006099



Position No	Article No	Description	Qty
1	C04020709	rail support plate welded-front	1
2	C04020768	Rail-L	1
3	C04020710	rail support plated welded-back	1
4	C04020711	water blocking plate welded	1
5	C02030012	washer ISO 7089- 10 - 140HV	10
6	C02030008	spring washer DIN127-A10	8
7	C02010075	Hexagon socket head cap screw ISO 4762-M10x25	8
8	C03010116	cable protection	1
9	C02020012	hex nut ISO4032-M8	2
10	C02010044	hex head screw ISO 4017 - M8x25	2
11	C06020089	scale label-L	1
12	C04020771	angular scale right	1
13	C04020770	angular scale left	1
14	C04020751	scale pointer	2
15	C02020047	hex nut DIN0934-M10	2
16	C02020008	nylon lock nut DIN982 M10	2
17	C05010071	Dongke switch (110V switch)	1
18	C02010181	hex head screw ISO 4017-M5x10	2
19	C02020045	nylon locking nut ISO7040-M5	2

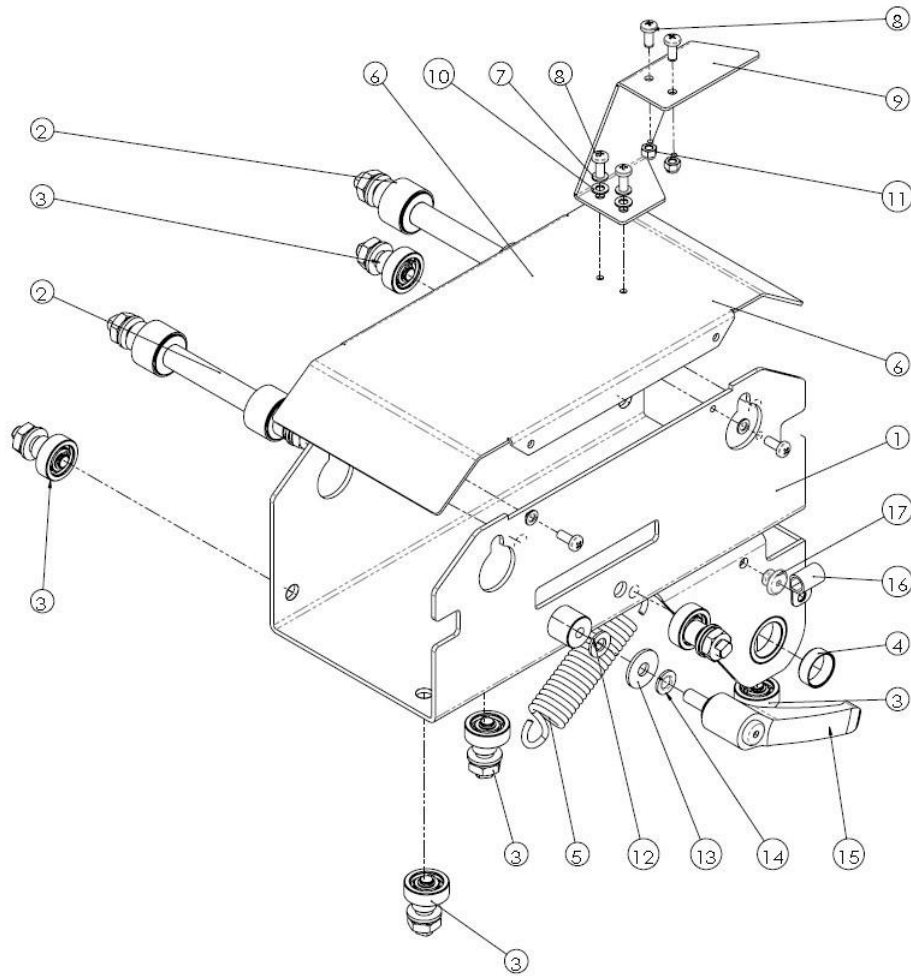
20	C02010040	cross pan head screw ISO 7045- M5x45	2
21	C02011022	cross pan head screw ISO 7045- M5x16	4
22	C03020085	mat	1
23	C02030016	washer ISO 7089- 5 - 140HV	2
24	C02030011	spring washer DIN127-A5	2
25	CMS000117	Cutting head stop assembly	2
26	C04020952	Water hose clamp-15	3
27	C02010131	rivet DIN7337-d6x16	3
28	C05020005	plug female SP2110/S3	1
29	C04021748	plate	2
30	C03020147	splash guard frame	1
31	C02010253	hex socket head screw ISO4762-M4x20	4
32	C02020009	nylon lock nut ISO7040-M4	2
33	C02030010	spring washer DIN127-A4	2

6 table assembly A005310



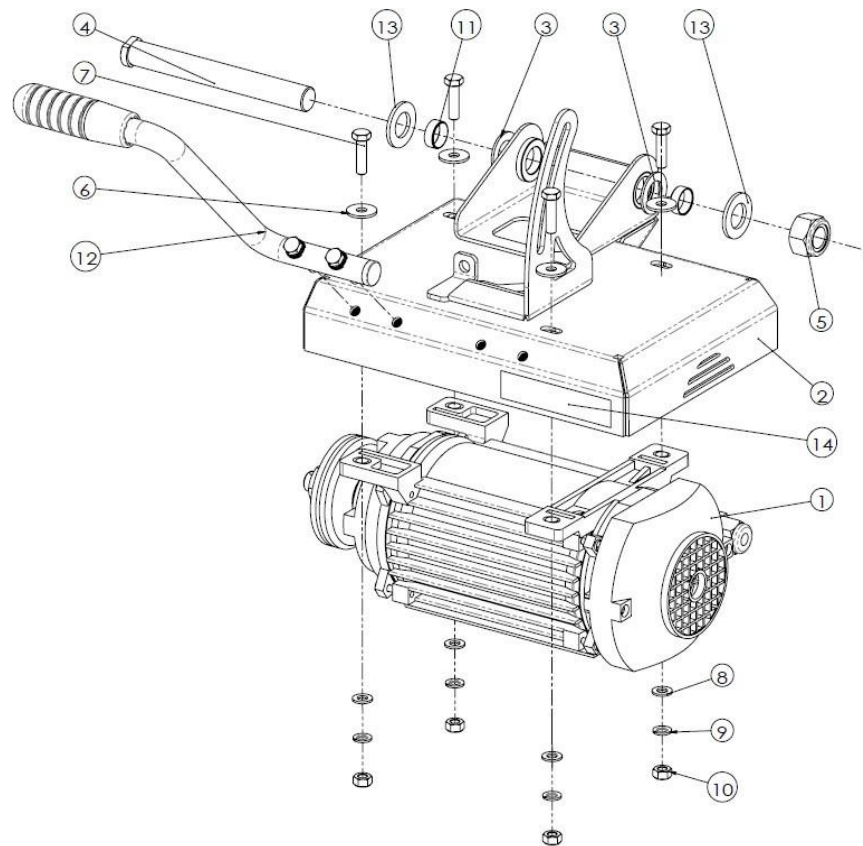
Position No	Article No	Description	Qty
1	C04021832	table welded	1
2	C04021826	plate	2
3	C02010105	hex head screw ISO 4017-M6x16	4
4	C02030020	washer ISO7089-6	4
5	C02030019	spring washer DIN127-A6	4
6	C02010195	hex head screw ISO4017-M8x10	8
7	C04021813	profile nut M8	8
8	C03010211	left scale	1
9	C03010212	right scale	1

7 sliding rack assembly A000940



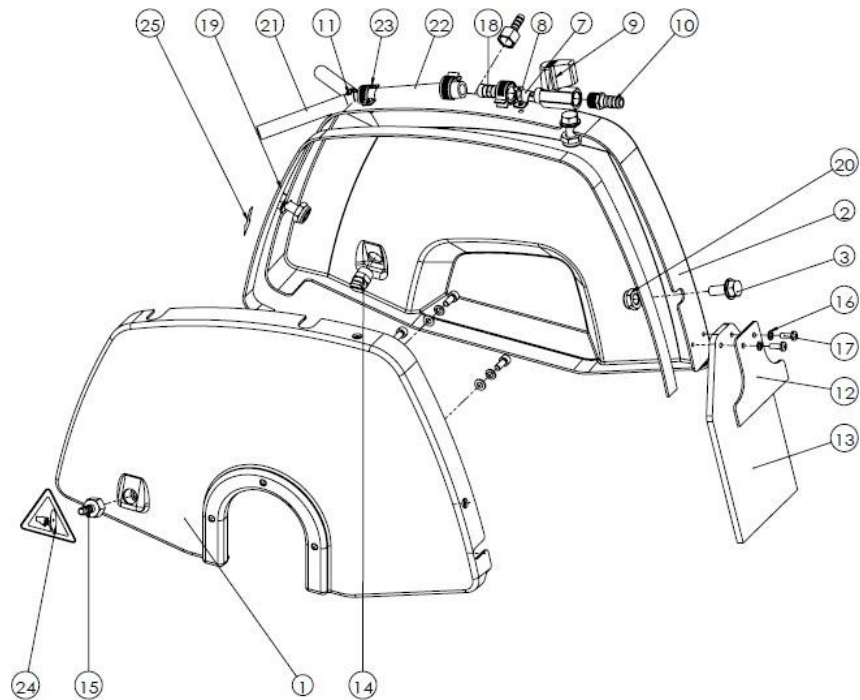
Position No	Article No	Description	Qty
1	C04020712	sliding rack welded	1
2	CMS000107	bearing & spindle assembly	2
3	CMS000108	eccentric spindle assembly	6
4	C02050004	sliding bearing IGUS GSM 2022-08	2
5	C04020767	spring	1
6	C04020724	sliding rack-cover	1
7	C02030011	spring washer DIN127-A5	6
8	C02010182	cross pan head screw ISO 7045- M5x12	8
9	C04020738	cable clip fixing	1
10	C02030016	washer ISO 7089- 5 - 140HV	6
11	C02020045	nylon locking nut ISO7040-M5	2
12	C02030017	washer ISO 7089- 8 - 140HV	1
13	C02030013	large washer ISO7093-8	1
14	C02030006	spring washer DIN127-A8	1
15	C03010041	Adjustable handle GN602-78-M8-20-SW	1
16	C04020953	hose clamp-10	1
17	C02010131	rivet DIN7337-d6x16	1

8 cutting head assembly A000939



Position No	Article No	Description	Qty
1	C05010004	Motor 2.2KW 110V	1
2	C04020713	motor holding plate	1
3	C03010032	spacer nylon	2
4	C04020195	cutting head axle	1
5	C02020050	ISO7040-M20	1
6	C02030013	big washer ISO7093-8	4
7	C02010045	hex head screw ISO 4017/DIN 933 - M8x30	4
8	C02030017	washer ISO 7089/DIN 125 - 8 - 140HV	4
9	C02030006	spring washer DIN127-A8	4
10	C02020012	hex nut ISO4032-M8	4
11	C02050004	sliding bearing IGUS GSM 2022-08	2
12	CMS000111	cutting handle assembly	1
13	C02030014	washer ISO 7089 - 20 - 140HV	2
14	C06020025	sticker CE safety	1

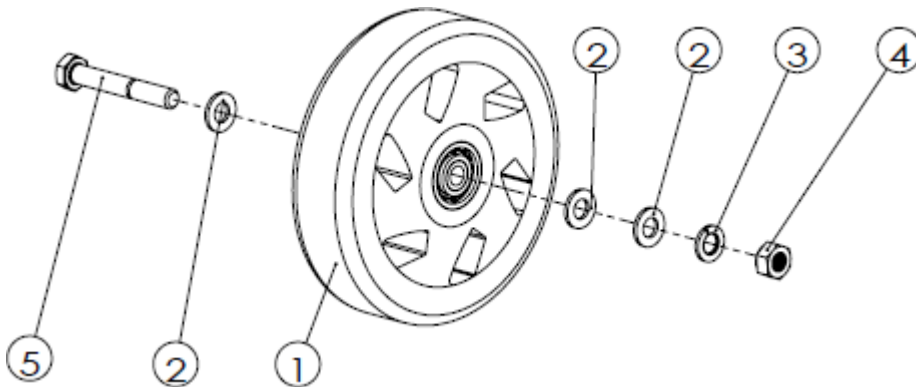
9 Blade guard assembly A002700



Position No	Article No	Description	Qty
1	C04020680	350 blade guard- rear part welded	1
2	C04020681	350 front cover of blade guard	1
3	C02010192	Hexagon flange bolt DIN6921 M8x20	3
4	C02030016	washer ISO 7089- 5 - 140HV	3
5	C02030011	spring washer DIN127-A5	3
6	C02010073	hex socket head cap screw ISO4762-M5x12	3
7	C04020244	hose clamp	2
8	C02010193	Rivet DIN 7337-d4x8	2
9	C02070002	water tap 1/4'	1
10	C02070007	hose connector male-10	1
11	C03010126	Y shape connector-855	1
12	C04020682	fixing part for rubber plate	1
13	C04020683	rubber for blocking water	1
14	C04020684	water nozzle	2
15	C04020853	copper connector	2
16	C02030010	spring washer DIN127-A4	2
17	C02010038	cross pan head screw ISO 7045-M4x12	2
18	C02070003	gas union 1/4" female	1
19	C03020087	sealing belt	1
20	C02020056	hexagon nylon thin nuts ISO 10511 -M8	3
21	C03010161	PU water pipe	2

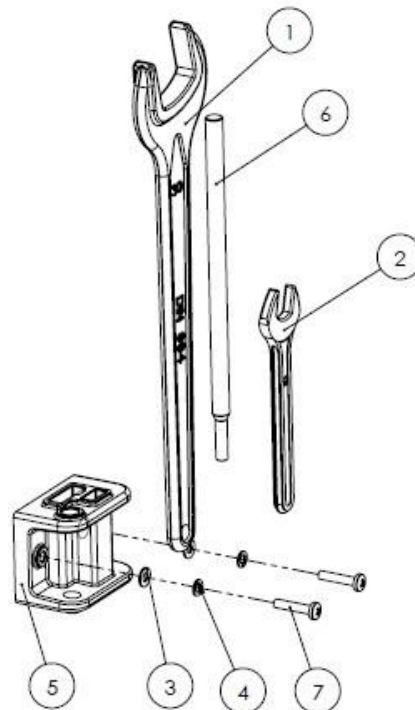
22	C03010162	spring water pipe	1
23	C04020281	hose clamp \varnothing 16.2	3
24	C06020022	safety sticker	1
25	C06020026	sticker white arrow	1

10 Transport wheel assembled A000142



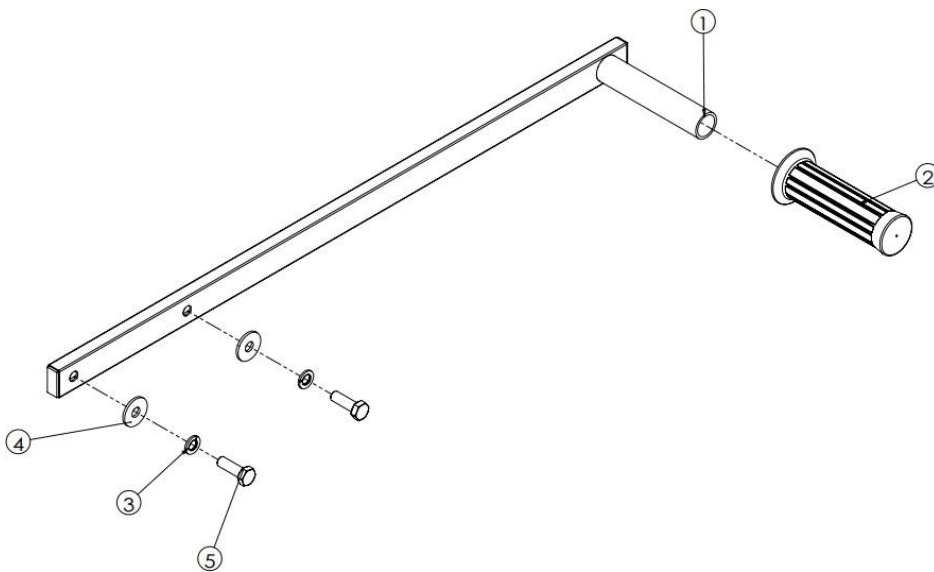
Position No	Article No	Description	Qty
1	CMS000014	wheel D125 d12 W36 assembly	1
2	C02030017	washer ISO 7089- 8 - 140HV	3
3	C02030006	spring washer DIN127-A8	1
4	C02020012	hex nut ISO4032-M8	1
5	C02010057	hexagon head bolt ISO4014-M8x55x22	1

11 Tools holder and tools A002601



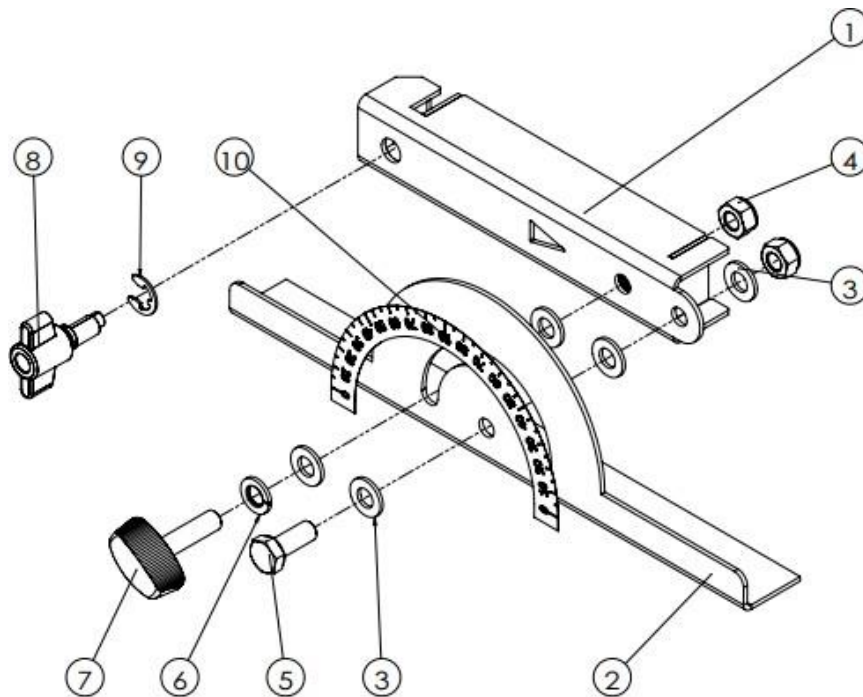
Position No	Article No	Description	Qty
1	C04020162	spanner 30mm	1
2	C04020163	spanner 13mm	1
3	C02030015	washer ISO 7089/DIN 125 - 4 - 140HV	2
4	C02030010	spring washer DIN 127 - A4	2
5	C03010113	plastic holder for tools	1
6	C04020199	motor tool 2.2KW	1
7	C02010058	ISO7045-M4x16	2

12 Long handle assembly A001524



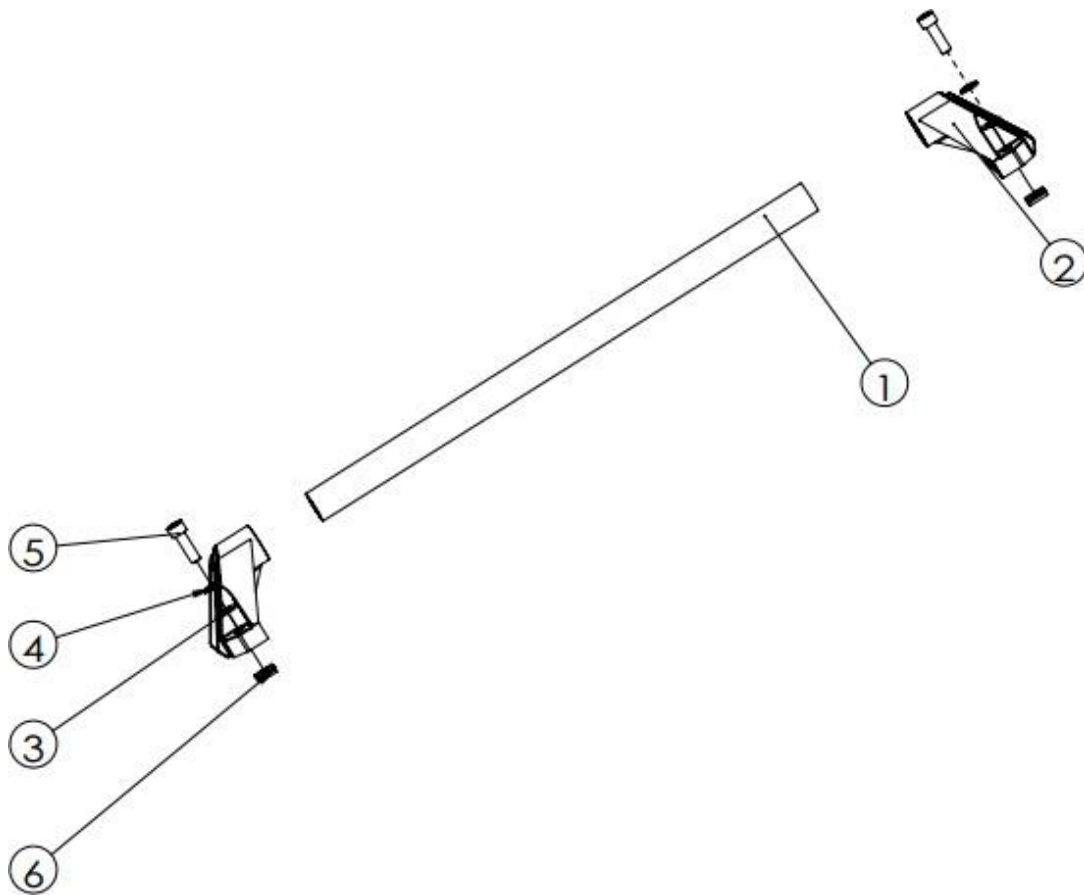
Position No	Article No	Description	Qty
1	C04020716	long handle welded	1
2	C03020076	handle sleeve	1
3	C02030006	Washer DIN127-A8	2
4	C02030013	Large washer ISO7093-8	2
5	C02010044	hex head screw ISO 4017- M8x25	2

13 Steel guid-a-cut assembly A000729



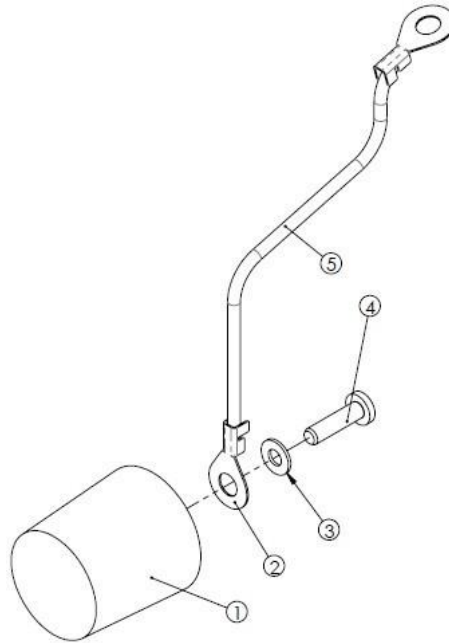
Position No	Article No	Description	Qty
1	C04020336	steel guide-a-cut welded	1
2	C04020159	guide	1
3	C02030017	washer ISO 7089- 8 - 140HV	5
4	C02020010	ISO7040-M8	2
5	C02010043	hex head screw ISO 4017 - M8x20	1
6	C02030006	spring washer DIN127-A8	1
7	C03010029	grip knob GN 531-32-M8-30	1
8	C03010054	eccentric knob	1
9	C02030025	retainer DIN6799-8	1
10	C06020028	angular scale	1

14 hand assembly A005920



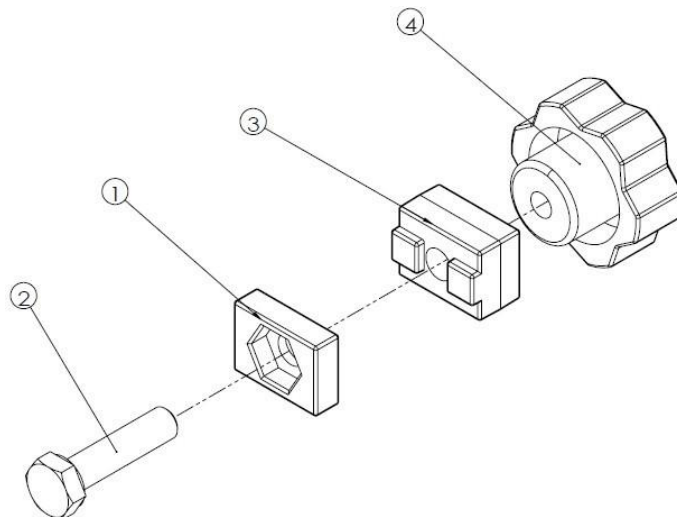
Position No	Article No	Description	Qty
1	C04021830	round tube	1
2	C04021829	Aluminum handle support	2
3	C02030017	washer ISO 7089- 8 - 140HV	4
4	C02030006	spring washer DIN127-A8	4
5	C02010066	Hexagon socket head cap screw ISO 4762-M8x25	4
6	C04021813	profile nut M8	4

15 Water plug assembly A000213



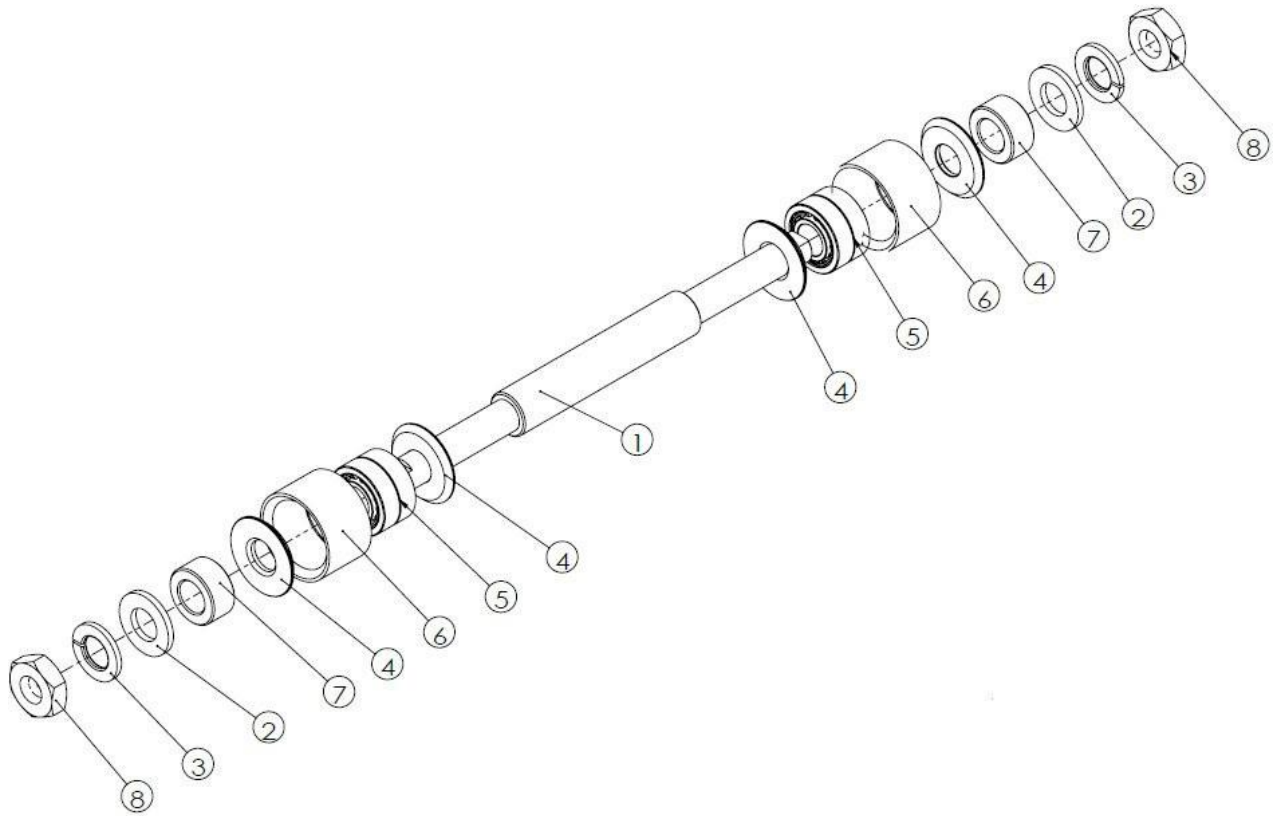
Position No	Article No	Description	Qty
1	C03010021	water plug	1
2	C04020164	rope connector	2
3	C02030015	washer ISO7089-4	1
4	C02010052	self-tapping screw ISO7049-ST4.2x16-C-Z	1
5	C05020001	rope water tank	1

16 Cutting head stop assembly A003131



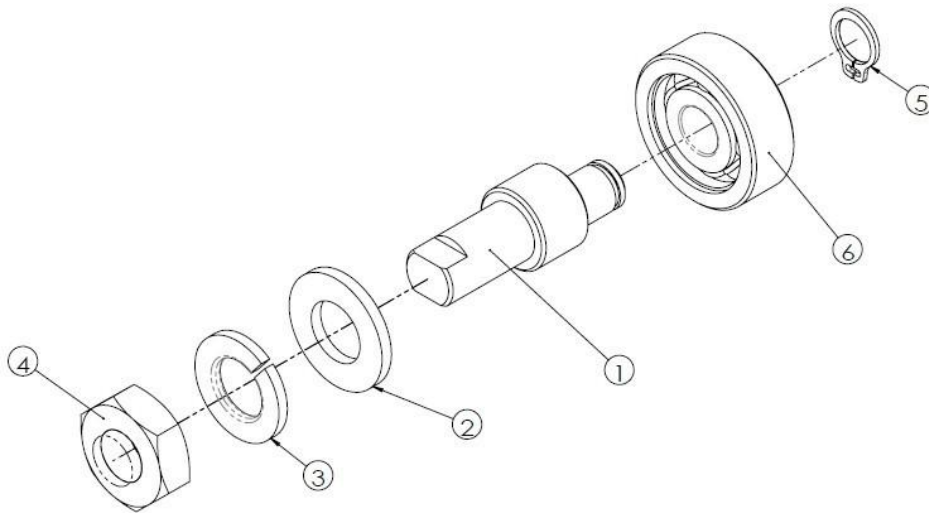
Position No	Article No	Description	Qty
1	C03010038	sliding piece	1
2	C02010101	hex head screw ISO 4017- M6x25	1
3	C03010039	spacer	1
4	C03010059	rotary knob M6	1

17 Bearing & spindle assembly A000928



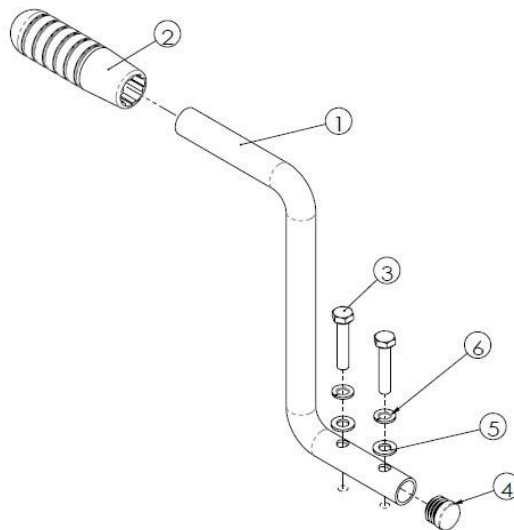
Position No	Article No	Description	Qty
1	C04020754	long spindle	1
2	C02030012	washer ISO7089/DIN125-10	2
3	C02030008	spring washer DIN 127 - A10	2
4	C04020763	washer	4
5	C02050015	needle bearing $\varnothing 10 \times \varnothing 22 \times 13$	2
6	C03010119	nylon bushing outside	2
7	C04020753	bushing bearing 10.5x18x8.5	2
8	C02020057	Hexagon thin nut ISO 4035-M10	2

18 Eccentric spindle assembly A000929



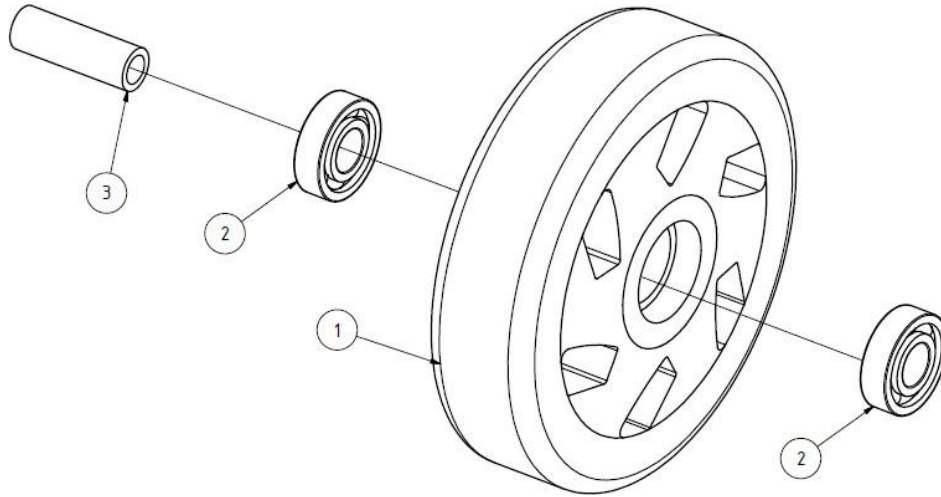
Position No	Article No	Description	Qty
1	C04020755	eccentric spindle	1
2	C02030012	washer ISO7089/DIN125-10	1
3	C02030008	spring washer DIN 127 - A10	1
4	C02020057	Hexagon thin nut ISO 4035-M10	1
5	C02030028	Circlip DIN 471 - 8x0.8	1
6	C02050016	bearing	1

19 Cutting handle assembly A001520



Position No	Article No	Description	Qty
1	C04020760	cutting handle tube	1
2	C03010018	plastic handle $\varnothing 20$	1
3	C02010046	hex head screw ISO 4017- M8x40	2
4	C03010027	end cap tube $\varnothing 20$	1
5	C02030017	washer ISO7089-8	2
6	C02030006	spring washer DIN127-A8	2

20 Wheel D125 d12 W36 A000220



Position No	Article No	Description	Qty
1	C03010023	transport wheel $\varnothing 125$	1
2	C02050003	needle bearing DIN625 SKF 6001 2RS1	2
3	C04020196	bush $\varnothing 12 \times \varnothing 8 \times 36$	1

GÖLZ®

**Golz GmbH
Dommersbach 51
53940 Hellenthal-Blumenthal**

2019.01.28