



Ladders and scaffold systems



Tanker Ladder
safe – comfortable – easy to use



**Free-standing and easy to move
tanker ladder for accessing tankers
for operating and inspection work.**

STABILO®
Professional

Tanker ladder

safe – comfortable – easy to use

Specially designed for:

- + Inspection work during loading and unloading
- + Taking samples from tankers and tanker wagons and trailers
- + Safe access for cleaning, de-icing and maintenance work

This ladder offers a wide range of advantages, from providing quick and safe tanker access, to its full-surround rail for creating a safe working space, to the double handrails for extra safety whilst climbing.



While working on my new KRAUSE tanker ladder I feel even more safe no matter if I have to take samples or do maintenance and cleaning works. Due to the platform

and the huge protecting cage it is comfortable to use and quickly ready for operation. The ladder and its mechanic is smooth-running but at the same time robust.

Dennis Müller, Tanker driver



Find even more advantages in a few seconds...

Tel.: +49 (0) 6631 795-230

Fax: +49 (0) 6631 795-139

E-Mail: clemens.wald@krause-systems.de



Your benefits

Especially comfortable and efficient thanks to...

- + Sturdy and robust galvanised steel frame with handles for greater ease when moving it
- + 500 x 900 mm large platform with double rail
- + Height adjustable (rung by rung, 280 mm each), requiring little force thanks to crank and rack
- + Long projecting platform which removes the need for having to move under silos or tanker wagons

Provides a maximum of safety thanks to...

- + Double handrails for maximum safety whilst climbing
- + Large, projecting guard rail cage, available as a round 1.500 x 1.500 mm or square 2.300 x 1.500 mm version
- + Ribbed steps welded to the side rails for maximum safety
- + With self-locking mechanism that stops the ladder from being accidentally moved and the top ladder section sliding back down
- + With extra arrestor for the rack

Specially designed for ease of use thanks to...

- + Easy to maintain rack (as opposed to steel rope that could twist or tear)
- + Ready for immediate use (supplied with ballast weight)
- + Supplied in pre-assembled modules designed for quick assembly



+ Basket railing
selectable options
round or angled

+ Platform size 500 x 900 mm
with railing on both sides

+ easy to handle

+ comfortable

+ safe

+ Easy adjustable in height by
a crank and a gear rack

The variants

Choose from two different undercarriages:

Undercarriage with plastic tyres

- + Standard plastic castors
- + Easy to move on even ground
- + Base plate kit (2 pieces - item no. 890108) available as an accessory



Undercarriage with inflatable tyres

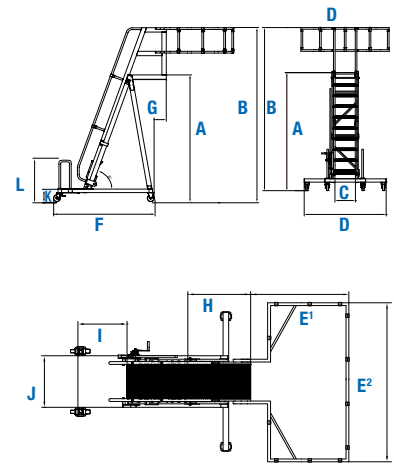
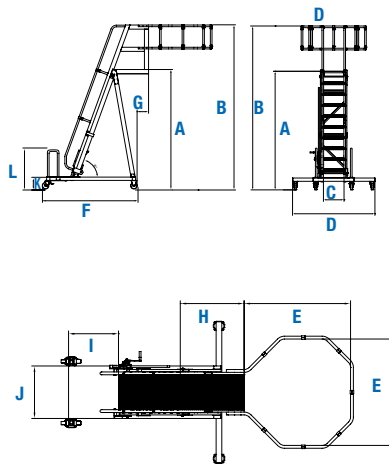
- + Easy to move, including on uneven ground
- + Height adjustable through base plates
- + Includes an extra step
- + Suitable for moving over e.g. embedded rail tracks





**Basket railing
selectable options
round or angled**

Executions and technical data



Rail cage executions		round	angled
A	Vertical platform height	approx. mm	max. 4.200
			min. 2.880
B	Total height (with handrails)	approx. mm	max. 5.300
			min. 3.980
C	Width of steps/rungs	approx. mm	500
D	Width of stabiliser gear	approx. mm	2.000
E	Rail cage parameters	approx. mm	1.500 x 1.500 rounded edges
F	Chassis length	approx. mm	2.305
G	Overhanging of the platform	approx. mm	275 - 750
H	Length of upper platform	approx. mm	900
I	Length of lower platform	approx. mm	700
J	Width of lower platform	approx. mm	740
K	Step up height	approx. mm	290
L	Pushing handrail incl. swivel castors	approx. mm	1.000

Platform executions	Aluminium corrugated	Aluminium grating	Aluminium corrugated	Aluminium grating
Art.-No. (plastic tyres)	890009	890016	890023	890030
Art.-No. (inflatable tyres)	890047	890054	890061	890078

Accessory (only for use with plastic tyres)



Swivel foot set (2 pieces) for levelling the tanker ladder and extra safety on uneven ground

Art.-No.	890108
----------	--------



Ladders and scaffold systems



KRAUSE-Werk GmbH & Co. KG
Am Kreuzweg 3
D-36304 Alsfeld
Tel.: +49 (0) 6631 795-0
Fax: +49 (0) 6631 795-139
E-Mail: info@krause-systems.de



KRAUSE-Systems AG
Chrümble 9
CH-5623 Boswil
Tel.: +41 (0) 56 666 90 50
Fax: +41 (0) 56 666 90 51
E-Mail: info@krause-systems.ch



KRAUSE Kft.
H-2030 Érd
Tolmács u. 7.
Tel.: +36 (06) 23 521 130
Fax: +36 (06) 23 365 109
E-Mail: info@krause-systems.hu



KRAUSE Sp. z o.o.
ul. Stalowa 10
PL - 58- 100 Świdnica
Tel.: +48 (74) 851 88 00
Fax: +48 (74) 851 88 22
E-Mail: info@krause-systems.pl



ООО КРАУЗЕ-СИСТЕМС
RU-129090 Москва
ул. Гиляровского 4, стр. 5, офис 204
тел.: +7 (495) 640 46 56
факс: +7 (495) 640 46 56
E-Mail: info@krause-systems.ru



ТОО „КРАУЗЕ-СИСТЕМС“
KZ-010000, г. Нур-Султан
шоссе Коргалжин 19,
БЦ „Korgalzhyn“, офис 305 Б
Тел +7 (7172) 57 67 98
E-Mail: info@krause-systems.com.kz

Visit our website:
www.krause-systems.co.uk

