

SPECIFICATION SHEET

110V LED NON-CORROSIVE TRIPOD & HEADS



The LED Tripod consists of a non-corrosive head and a Tripod (purchase separately).

Applications

- Site Lighting



Image shown LFS220 & LFSTRIP

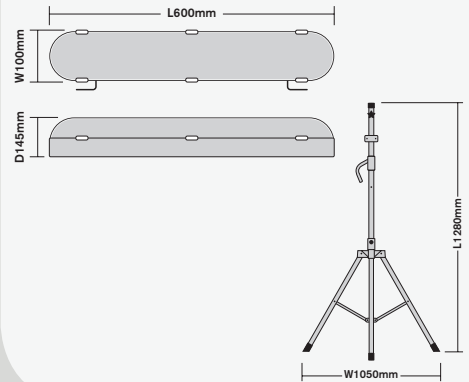
Specification

LED:	96pcs of 0.2W 2835
Material:	Heads: ABS and polycarbonate Tripod: Steel
Lumen Output:	1800lm
Colour Temperature:	4000K
Guarantee:	2 Years
Life Expectancy:	30,000 Hours
Working Temperature:	-10°C - 40°C (0°C - 40°C in emergency)
Power Factor:	0.9
Beam Angle:	120°
CRI:	80Ra

Additional Information

- 5m Cable included.
- 90lm/W
- Opal diffuser
- Painted metal LED tray included
- Plastic clips included (Heads)
- Yellow finish
- Tripod to be ordered separately (purchase one for every head purchased)
- Light lead includes mounting bracket and 2 x sockets

Dimensions



Code	Description	Emergency	Dimensions (L x W x D mm)
LFS220	20W	No	600 x 100 x 145
LFS220E	20W	Yes	600 x 100 x 145
LFSTRIP	Collapsible Tripod Base	-	1280 x 1050 x 870