



# TROWELS



QUALITY ENGINEERED. QUALITY BUILT. QUALITY SURVIVES.

[WWW.MBW.COM](http://WWW.MBW.COM)

# TROWELS

## WALK BEHIND POWER TROWELS



To function properly, power trowels must maintain a precise perpendicular relationship between the gearbox's output shaft and blade arms. Once that relationship is compromised, the trowel will vibrate and/or wobble. MBW has gone to great lengths to maintain this critical relationship.

MBW WALK-BEHIND POWER TROWELS feature the industry's heaviest bearings, output shafts, gears, spiders and blade arms. Comparison of these critical MBW components to those of any competitor answers the question as to why MBW trowels run so well for so long.

## GEAR BOX

Designed for our heaviest trowel, the MBW gear box is overbuilt and preserves component commonality throughout the range. Housing and covers made of cast aluminum alloy feature reinforced construction. Cooling fins insure rapid heat dissipation for extended bearing and lubricant life. MBW's one piece, case hardened wormshaft is the most accurate in the industry. Ground bearing journals insure exact bearing alignment and maximum bearing life. All MBW bearings are able to accept load spikes and provide long life under rigorous use. MBW bronze wormgear conforms to exacting specifications and features extra heavy-duty hub and flange construction. High quality seal and O-rings provide resistance to leakage and enhances life of the industry's most rugged gear box.

Precision alignment, serviceability, and resistance to application induced bending or wear, characterize MBW's spider assembly. An entire battery of numerically controlled metal working machinery and in-process inspection procedures allow no compromise on tolerances. Other alignment considerations include Teflon lined, steel arm/bore inserts, and arms which are precisely milled to provide the most accurate blade-to-arm alignment. All components subject to high levels of stress are overbuilt: heavier trowel arms (both hex and machined sections), tilt arm and spider castings, and yoke plates. The pressure plate features a deep collar for added support on spider. Yoke plate is designed for widest dispersal of tilting pressures and is machined to accept a greasable thrust bearing.



*The EZ Pitch™ handle employs a constant force gas spring to allow for low effort, rapid adjustment of blade pitch. Combined with MBW's patented low vibration handle design, the EZ Pitch makes operating an MBW trowel a breeze. Both the EZ Pitch with the low vibration handle and Twist Pitch with low vibration handle can be retrofitted to most older MBW trowels as complete assemblies.*



*Tool free height adjustable operator handle*



*ISO compliant, low profile guard ring allows for easy cleaning and blade changes*



## F36 & F46 WALK-BEHIND TROWELS



Operator comfort, safety and increased productivity are essential considerations in the MBW trowel. Handles are adjustable to fit the operator more comfortably and absorb trowel torque.

All handle materials are heavy gauge and do not require gusseting at critical fastening points. Each MBW trowel is balanced with regard to engine location for excellent performance and reduced operator fatigue.

MBW's heavier handle and stronger guard ring add up to extra safety. Our safety switch is fully enclosed and constructed of durable materials with wire and cables housed at their most vulnerable positions. Basic operating and safety instructions are prominently displayed.

Solid throttle wire housed in low friction Teflon-lined casing for smooth operation and low maintenance.

*US Patents*

MODEL	F36	F46
Engine Options Operating Weight	Honda GX160 183 lbs (83 kg)	Honda GX270 246 lbs (112 kg)
	Honda GX270 209 lbs (95 kg)	Honda GX390 260 lbs (118 kg)
	Honda GX270 High Speed 216 lbs (98 kg)	Honda GX390 High Speed 267 lbs (121 kg)
Ring Diameter	37.5 in (95 cm)	47.6 in (121 cm)
Blade Sweep Dia.	35.5 in (90 cm)	46 in (117 cm)
Trowel Speed	70-135 rpm 35-180 rpm High Speed	70-135 rpm 35-180 rpm High Speed
Low Vibration Handle Height	35.8" Min - 43.3" Max	
Noise Level	85-105 dBA	

( ) Metric Measurements

### CAST ALUMINUM ALLOY HOUSING

features reinforced construction and cooling fins for rapid dissipation of heat

### VERTICAL SHAFT ASSEMBLY

has heavier flange & hubs for greater shaft support. Heavy duty high load capacity bearings add to gear box longevity

### WORM SHAFT ASSEMBLY

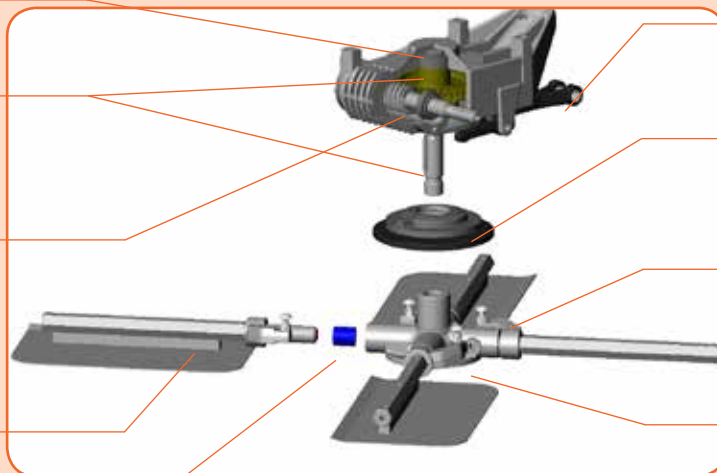
precision machined from solid stock. Bearing journals are precision ground for proper fit and preservation of internal bearing tolerances 1230 lbs. – radial load capacity

### HEX TO BLADE MATTING SURFACE

is precision milled for near perfect blade alignment

### TEFLON LINED STEEL BORE INSERTS

that will not pound out causing alignment problems



### HEAVY CAST ENGAGEMENT YOKE

with wider and longer construction to increase life and control of blade adjustment cable

### PRESSURE PLATE ASSEMBLY

utilizes greasable thrust bearings to provide little or no RPM variation

### TILT ARM ASSEMBLY

utilizes the industry's heaviest material both in hex stock and larger diameter machined ends

### SPIDER ASSEMBLY

is 15% heavier than competitive models with thicker walls around all bores. Industrial grade 45 degree grease fittings and hardware throughout machine ensures long life



## F24 EDGER TROWEL



The F24 EDGER TROWEL is ideal for jobs that require a lightweight, highly maneuverable, professional finishing tool. This specialty finishing power trowel allows professional results even when confined areas or weight restrictions leave other machines standing idle. Perfect for edging in the tightest spaces, the F24 Walk Behind Power Trowel is always ready when needed.



ROTATING GUARD RING



FOLD DOWN HANDLE

MODEL	F24
Engine Options	Honda GX120 (114 lbs/64 kg) 3 HP Motor Single Phase 220V (126 lb/57 kg)
Ring Diameter	24 in (61 cm)
Trowel Speed	70-125 rpm

( ) Metric Measurements

TROWELS



**MBW Inc.**  
250 Hartford Road • P.O. Box 440  
Slinger, Wisconsin • 53086-0440 • USA  
Ph: 800-678-5237 or 262-644-5234 • Fax: 262-644-5169  
E-mail: [mbw@mbw.com](mailto:mbw@mbw.com) • Website: [www.mbw.com](http://www.mbw.com)

**MBW Europe Ltd.**  
Units 2 & 3 Cochrane Street • Bolton BL3 6BN • England UK  
Ph: 44 (0) 1204 387784 • Fax: 44 (0) 1204 387797  
E-mail: [mbwuk@mbw.com](mailto:mbwuk@mbw.com) or [mbweurope@mbw.com](mailto:mbweurope@mbw.com)  
Europe Website: [www.mbw-europe.com](http://www.mbw-europe.com)

**AUTHORIZED DISTRIBUTOR**



L16480 05/19  
Copyright ©  
MBW Incorporated  
All Rights Reserved