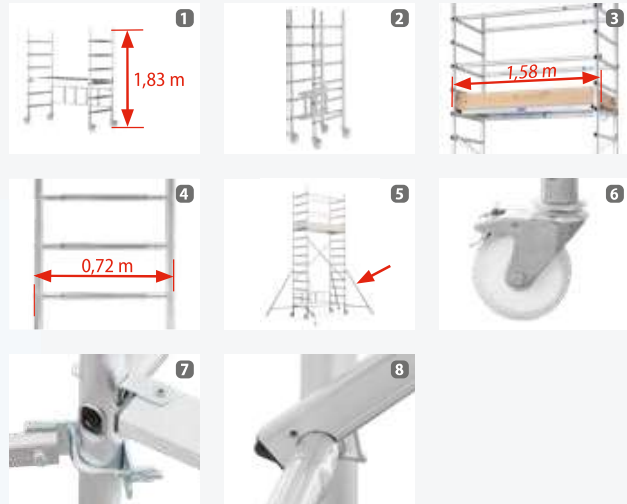






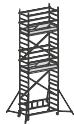


With each tower you can find enclosed a manual for instructions of use and assembly, where you can find the required amount of accessories for wall-connection and ballasting. Moreover you can find the instructions for use and assembly at [www.hymer-alu.de](http://www.hymer-alu.de).



1. **Lightweight, versatile mobile tower**, compact to store and transport.
2. The basic module is a **folding tower** (passes through any door).
3. Spacious through **1.58 m long platform**.
4. **Large working surface** through 0.72 m tower width.
5. From 4.65 m reach height on **with stabiliser** for high stability.
6. **Inclusive four castors** with brakes.
7. **Tools only necessary for initial assembly** of the stabiliser and wall connector.
8. **Quick assembly and dismantling** through quick-release catches on braces.



					
Module and assembly combinations	Module 1	Module 2	Module 3	Module 1+2	Module 1+2+3
Frame section (approx. m)	0,72	0,72	0,72	0,72	0,72
Platform length (approx. m)	1,58	1,58	1,58	1,58	1,58
Reach height (approx. m)	2,89	–	–	4,65	6,65
Tower height (approx. m)	1,83	–	–	3,85	5,85
Standing height (approx. m)	0,89	–	–	2,65	4,65
Weight (approx. kg)	23,2	33,2	29,1	56,4	85,5
Order no.	7089403	7039415	7039417	7089405	7089407