

SPECIFICATION SHEET

LED SMD FLOODLIGHTS WITH PHOTOCELL



The LED SMD Floodlights are robust and suitable for security and outdoor lighting. The bracket can accommodate full rotation. They are supplied with a 'dusk to dawn' photocell.

Applications:

- Commercial sites • Educational providers • Factories



Image shown FLSMD100BPC-1

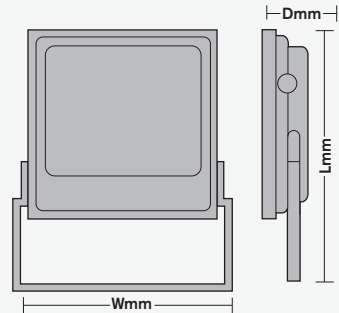
Specification

LED:	100-400pcs SMD 5730
Material:	Aluminium & Glass Diffuser
Colour Temperature:	6500K
Guarantee:	3 Years
Life Expectancy:	35,000 Hours
Working Temperature:	-20°C - 40°C
Power Factor:	>0.9
Beam Angle:	120°
CRI:	>80 Ra

Additional Information

- 1m H05VV-F 3G1.0 Cable included
- 80lm/W
- Mounting bracket included
- Black finish
- Photocell Sensor included
- Powder coated finish

Dimensions



Code	Wattage	Lumen Output	Dimensions (L x W x D mm)
FLSMD50BPC-1	50W	4000lm	315 x 305 x 70
FLSMD100BPC-1	100W	8000lm	328 x 315 x 90
FLSMD150BPC-1	150W	12000lm	360 x 365 x 90
FLSMD200BPC-1	200W	16,000lm	425 x 403 x 115