

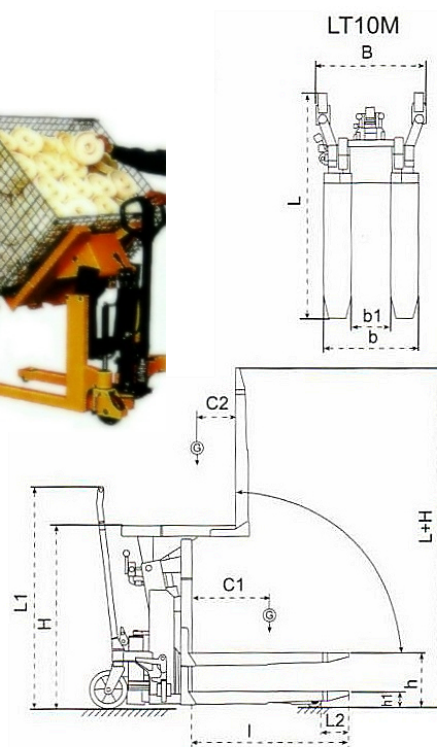
LT10M Manual Pallet Tilter



Designed to give the user an ergonomically correct position to reach loads easily, without the necessity of bending down or stretching up.

The handle can be turned and locked in a position away from the work area.

Supplied with parking brake and foot protectors



Conforms to EN1757-1 and EN1175

Model	LT10M
Capacity (kg)	1000
Lifting Height, Vertical (h) (mm)	285
Min. Fork height h1 (mm)	85
Fork Length l (mm)	800
Handle Height L1 (mm)	1138
Overall Fork Width b (mm)	560
Overall Width B (mm)	638
Overall Height Raised H (mm)	950
Overall Height Lowered H (mm)	750
Maximum tilt angle (degrees °)	90
Weight (kg)	178