

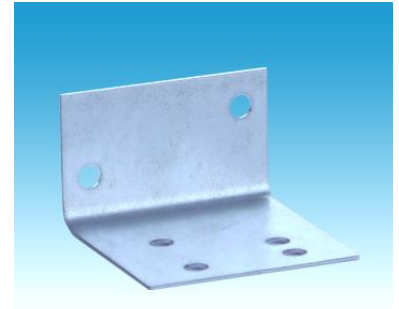
AH180

Steel Partitioning Bracket

Technical Datasheet

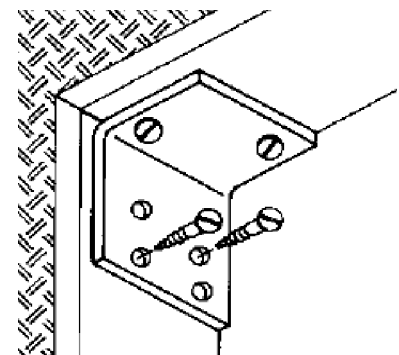
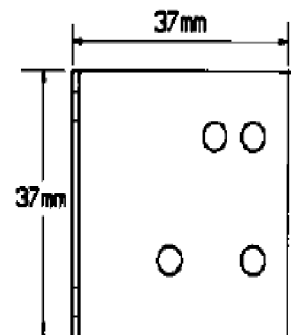
Application

Angle securing bracket



Technical Details

Material	Galvanised Mild Steel to BS EN 101 42:2000
Thickness	1.0mm
Surface Finish:	Galvanised coating to Z140



Health & Safety

As with all metal products, there is a risk from sharp corners or edges. Appropriate PPE should be used. Repeated contact with metal coatings may cause skin irritation.

Arthur Hough & Sons Limited
Hilton Cross Business Park, Cannock Road
Featherstone, Wolverhampton WV10 7QZ
Tel: 01902 867717 Fax: 01902 867719
Email: mail@ahough.com Website: www.ahough.com