

# SPARE PARTS LIST

## MODEL NO. 2012NB

ITEM	PART NO.	DESCRIPTION	QTY	NOTE
001	654561-8	TERMINAL BLOCK 2012NB/LH1040 LF1000	1	
002	631370-2	PILOT LAMP COMP 110V 2012NB	1	110V
006	418416-9	SWITCH COVER 2012NB	1	
007	251991-0	*+TAPPING SCREW M4X12 10PK	2	
008	632519-7	SWITCH UNIT 2012NB	1	
011	417041-3	SWITCH BOX 2012NB	1	
012	417038-2	SWITCH BOX COVER 2012NB	1	
013	265995-6	*PT SCREW 4X18 10PK LF1000	2	
014	266026-4	*CT SCREW M4X12 LC1230 5PK	2	
015	682504-0	CORD GUARD 9501B/HR2410/2012NB	1	110V
016	695217-4	*POWER SUPPLY CORD LS1040/LF10	1	110V
017	265995-6	*PT SCREW 4X18 10PK LF1000	2	
018	687053-2	STRAIN RELIEF 110V 9920/LF1000RP1100C/HM1810/JR3060T/3070CT		
019	687042-7	STRAIN RELIEF LS1013/2012NB LF1000	1	
020	911128-8	*PAN HEAD SCREW M4X16 10PK W. CAPTIVE WASHERS	1	
021	851968-1	NAME PLATE 2012NB	1	
022	922312-0	*CAP HD SCREW M6X12 2414B 5PK	1	
023	267080-1	*FLAT WASHER 6 2012NB 5PK	1	
024	221525-3	SPROCKET 10 2012NB	1	
025	266059-9	*PT SCREW 5X75 2414B 5PK	4	
026	151739-9	GEAR HOUSING COVER COMP 2012NB	1	
027	253715-0	*HARD WASHER 6 4334D/6510S 5PK	1	
028	226134-3	GEAR COMP 8-50 2012NB	1	
029	253715-0	*HARD WASHER 6 4334D/6510S 5PK	1	
030	253215-0	*THIN WASHER 8 5093D 5PK	1	
031	226135-1	GEAR COMP 8-46 2012NB	1	
032	253215-0	*THIN WASHER 8 5093D 5PK	1	
033	254001-2	*WOODRUFF KEY 4 10PK	1	
034	253760-5	FLAT WASHER 14 2012NB/2030	1	
035	323923-8	DRIVE SHAFT 2012NB	1	
036	226518-5	HELICAL GEAR 47 2012NB	1	
037	253744-3	*HARD WASHER 12 10PK	1	
038	151738-1	GEAR HOUSING CO 2012NB	1	
039	225083-1	POLY V-BELT 8-341 2012NB	1	
040	222155-3	V-PULLEY 8-23.5L 2012NB	1	
041	151737-3	MOTOR HOUSING CO 2012NB	1	
042	526101-1	FIELD ASSY 110V 2012NB	1	110V
043	211087-9	BALL BEARING 6200DDW HM1303B	1	
044	681623-9	INSULATION WASHER 2012NB	1	
045	516810-0	ARMATURE ASSY 100V	1	110V
		INC. 43,44,47,188		
046	417033-2	BAFFLE PLATE 2012NB	1	
047	211087-9	BALL BEARING 6200DDW HM1303B	1	
048	266059-9	*PT SCREW 5X75 2414B 5PK	2	
049	922312-0	*CAP HD SCREW M6X12 2414B 5PK	1	
050	267080-1	*FLAT WASHER 6 2012NB 5PK	1	
051	221525-3	SPROCKET 10 2012NB	1	
052	343844-8	METAL COVER B 2012NB	1	
053	233016-2	COMPRESSION SPRING 15 2012NB	1	
054	231459-2	COMPRESSION SPRING 13 2012NB	1	
055	819064-1	MAKITA LABEL LS1030/5603R/2414LC1230	1	
056	214251-1	PLANE BEARING 17 2012NB	1	
057	922221-3	*CAP HD SCREW M5X16 HM1200 5PKW. SPRING WASHER	2	
058	643650-4	BRUSH HOLDER CAP CB-5/9402 LF1000	2	
059	181044-0	CARBON BRUSH CB-153 (CB-22)/94LF1000	1	
060	162216-6	ROLLER 34-295 2012NB	1	
061	233392-4	COMPRESSION SPRING 13A 2012NB	1	
062	341685-6	METAL COVER A 2012NB 2030	1	
063	922221-3	*CAP HD SCREW M5X16 HM1200 5PKW. SPRING WASHER	2	
064	214251-1	PLANE BEARING 17 2012NB	1	
065	265854-4	HEX SOCK HD BOLT M6X12 HR3520	1	

# SPARE PARTS LIST

MODEL NO. 2012NB

ITEM	PART NO.	DESCRIPTION	QTY	NOTE
066	222154-5	V-PULLEY 8-54 2012NB	1	
067	911128-8	*PAN HEAD SCREW M4X16 10PK W. CAPTIVE WASHERS	3	
068	317259-5	BEARING BOX 2012NB	1	
069	211206-7	BALL BEARING 6202LLB/LF1000	1	
070	254204-8	*KEY 4-14 10PK	1	
071	323928-8	DRUM 2012NB	1	
072	211206-7	BALL BEARING 6202LLB/LF1000	1	
073	962153-2	RETAINING RING R-35 4157KB	1	
074	793346-8	PLANER BLADE 306 2012NB HSS	1	
075	343682-8	SET PLATE 2012NB	2	
076	251609-3	*HEX HEAD M6X17 10PK W. COLLAR SCREW	12	
077	225520-5	CHAIN 35-46 2012NB	1	
078	922312-0	*CAP HD SCREW M6X12 2414B 5PK	1	
079	267080-1	*FLAT WASHER 6 2012NB 5PK	1	
080	221525-3	SPROCKET 10 2012NB	1	
081	922221-3	*CAP HD SCREW M5X16 HM1200 5PKW. SPRING WASHER	2	
082	343844-8	METAL COVER B 2012NB	1	
083	252426-4	NUT M14 2012NB	1	
084	214251-1	PLANE BEARING 17 2012NB	1	
085	231459-2	COMPRESSION SPRING 13 2012NB	1	
086	162216-6	ROLLER 34-295 2012NB	1	
087	233392-4	COMPRESSION SPRING 13A 2012NB	1	
088	214251-1	PLANE BEARING 17 2012NB	1	
089	341685-6	METAL COVER A 2012NB 2030	1	
090	922221-3	*CAP HD SCREW M5X16 HM1200 5PKW. SPRING WASHER	2	
091	226786-0	STRAIGHT BEVEL GEAR 15 2012NB	1	
092	253828-7	*FLAT WASHER 10 2012NB 5PK	1	
093	417034-0	SHAFT RETAINER 2012NB	1	
094	266040-0	*CT SCREW M4X25 10PK	2	
095	323926-2	SHAFT 10 2012NB	1	
096	417034-0	SHAFT RETAINER 2012NB	1	
097	266040-0	*CT SCREW M4X25 10PK	2	
098	253828-7	*FLAT WASHER 10 2012NB 5PK	1	
099	226786-0	STRAIGHT BEVEL GEAR 15 2012NB	1	
100	951122-8	SPRING PIN 4-28 2012NB	1	
101	344815-8	LOCK PLATE 2012NB	1	
102	231793-0	TENSION SPRING 5 2012NB	1	
103	251283-7	*PAN HD SHOULDER SCREW M5 5PK	1	
104	417035-8	BELT COVER 2012NB	1	
105	266040-0	*CT SCREW M4X25 10PK	2	
106	251322-3	*PAN HD SCREW M5X12 10PK W. FULL DOG POINT	2	
107	252427-2	NUT M14L 2012NB	1	
108	233016-2	COMPRESSION SPRING 15 2012NB	1	
109	213009-5	O RING 4 2030/2012NB	1	
110	911233-1	*PAN HD SCREW 5X20 W/CP 10PK WASHER	1	
111	253194-2	*WASHER 5 UB120D 5PK	1	
112	257600-9	*SLEEVE 2012NB	1	
113	231588-1	TORSION SPRING 9 2012NB	1	
114	344068-9	POINTER 2012NB	1	
115	266026-4	*CT SCREW M4X12 LC1230 5PK	1	
116	322229-1	GAUGE 2012NB	1	
117	266040-0	*CT SCREW M4X25 10PK	2	
118	266173-1	*PT SCREW 5X30 9015B 10PK HR3000C/9920	2	
119	265736-0	SCREW M6X135 2012NB	1	
120	323927-0	HALF NUT 2012NB	1	
121	231226-5	COMPRESSION SPRING 11 5PK	1	
122	256688-6	PIN 8 2012NB	1	
123	271296-2	KNB 45 2012NB	1	
124	272028-0	HANDLE 160 2012NB	1	
125	961012-7	*EXT E-RING JIS JE-6 10PK LF1000	1	
126	951122-8	SPRING PIN 4-28 2012NB	1	

# SPARE PARTS LIST

MODEL NO. 2012NB

ITEM	PART NO.	DESCRIPTION	QTY	NOTE
127	266086-6	HEX BOLT M5X16 JR3020/DA4031 JR3060T/3070CT	1	
128	317760-0	JOINT 2012NB	1	
129	417032-4	GAUGE 2012NB	1	
130	816358-5	SCALE LABEL 2012NB	1	
131	266240-2	HEX BOLT M10x25 2012NB	4	
132	153781-6	TOP COVER COMP 2012NB	1	
133	417036-6	TOOL BOX HOLDER 2012NB	1	
134	165379-7	CHIP COVER 2012NB	1	
135	417036-6	TOOL BOX HOLDER 2012NB	1	
136	265716-6	KNOB SCREW M5X10 3901/2012NB	2	
137	265995-6	*PT SCREW 4X18 10PK LF1000	2	
138	265995-6	*PT SCREW 4X18 10PK LF1000	2	
139	344816-6	TABLE PLATE 2012NB	1	
140	266026-4	*CT SCREW M4X12 LC1230 5PK	4	
141	344819-0	GUIDE PLATE 2012NB	2	
142	911128-8	*PAN HEAD SCREW M4X16 10PK W. CAPTIVE WASHERS	2	
143	417040-5	SIDE COVER 2012NB	1	
144	344820-5	SIDE BEAM 2012NB	2	
145	922323-5	HEX SOCKET BOLT M6X16 2012NB	4	
146	251217-0	+BINDING HEAD SCREW M8 2012NB	4	
147	253932-2	*WAVE WASHER 10 3600B 5PK	4	
148	911108-4	*PAN HEAD SCREW M4X8 10PK W. CAPTIVE WASHERS	8	
149	344818-2	ARM 2012NB	4	
150	344817-4	SUB TABLE PLATE 2012NB	2	
151	266240-2	HEX BOLT M10x25 2012NB	4	
152	266213-5	*GRUB SCREW M5X12 5621RD 5PK	4	
153	323925-4	SCREW L 2012NB	1	
154	331562-0	COLUMN 20 2012NB	4	
155	317763-4	TABLE 2012NB	1	
156	323924-6	SCREW R 2012NB	1	
157	151886-6	SIDE COVER COMP 2012NB	1	
158	911128-8	*PAN HEAD SCREW M4X16 10PK W. CAPTIVE WASHERS	2	
159	232195-3	LEAF SPRING 2012NB	2	
160	266026-4	*CT SCREW M4X12 LC1230 5PK	2	
161	211088-7	BALL BEARING 6000DDW HR4000C HM1202C/9920/9403/5621RD/LS800	1	
162	285698-6	BEARING RETAINER 2012NB	1	
163	266026-4	*CT SCREW M4X12 LC1230 5PK	3	
164	256226-4	PIN 4 6805BV/2012NB	1	
165	252164-8	HEX NUT M10-17 2012NB	1	
166	226791-7	STRAIT BEVEL GEAR 15 2012NB	1	
167	317260-0	SUPPORTER 2012NB	1	
168	216011-7	*STEEL BALL 5.6 10PK	1	
169	931403-6	*HEX HALFNUT M8 5PK	1	
170	922231-0	*CAP HD SCREW M5X20 HR2010 5PKW. SPRING WASHER LF10002	1	
171	265846-3	*HEX SOCKET HD BOLT M8X16 5PK	1	
172	417030-8	GEAR COVER 2012NB	1	
173	266026-4	*CT SCREW M4X12 LC1230 5PK	1	
174	211088-7	BALL BEARING 6000DDW HR4000C HM1202C/9920/9403/5621RD/LS800	1	
175	285698-6	BEARING RETAINER 2012NB	1	
176	266026-4	*CT SCREW M4X12 LC1230 5PK	3	
177	256226-4	PIN 4 6805BV/2012NB	1	
178	252164-8	HEX NUT M10-17 2012NB	1	
179	226791-7	STRAIT BEVEL GEAR 15 2012NB	1	
180	317260-0	SUPPORTER 2012NB	1	
181	216011-7	*STEEL BALL 5.6 10PK	1	
182	931403-6	*HEX HALFNUT M8 5PK	1	
183	922231-0	*CAP HD SCREW M5X20 HR2010 5PKW. SPRING WASHER LF10002	1	
184	265846-3	*HEX SOCKET HD BOLT M8X16 5PK	1	
185	417030-8	GEAR COVER 2012NB	1	
186	266026-4	*CT SCREW M4X12 LC1230 5PK	1	
187	153731-1	MAIN FRAME COMP 2012NB	1	

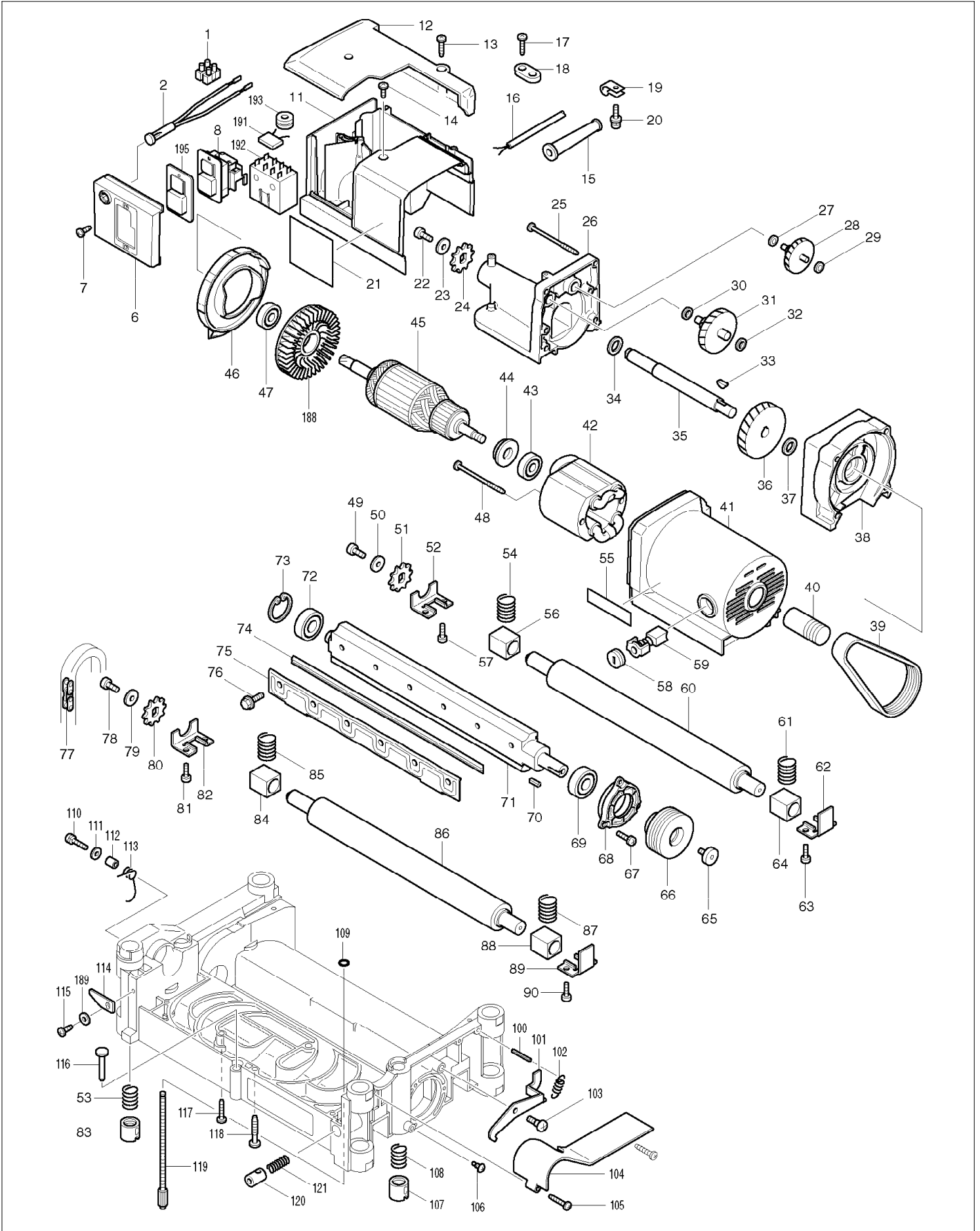
# SPARE PARTS LIST

MODEL NO. 2012NB

ITEM	PART NO.	DESCRIPTION	QTY	NOTE
188	240003-4	FAN 80 DA4031/2012NB/2702/LF10LF1000	1	
189	941051-3	*FLAT WASHER 4 DIN125 - 10PK	1	
191	645200-1	NOISE SUPPRESSOR LS0714/JR3060LC1230/RP1100C/3705/HM1810/307		
192	652768-0	RELAY 110V 2012NB	1	110V
193	688131-1	LINE FILTER MT240/HM1810/HR243	1	
194	282017-7	CHAIN 2012NB	1	
195	414301-4	DUST COVER 2012NB	1	
A01	762014-4	MAGNETIC HOLDER 2012NB	2	
A02	782203-5	SOCKET WRENCH 9 2012NB	1	
A03	783208-8	HEX WRENCH 2.5 2012NB/JN1601	1	
A04	824002-0	PLASTIC CASE 2012NB	1	
A05	122696-8	HOOD ASSY 2012NB	1	
A06	194053-0	STAND 2012NB/NBX	1	
E01	655030-2	*PLUG UK TYPE 2107F/JR3050T HM1810/HR2432/JR3060T/3070CT		110V
E02	654091-9	NON INSULATED TERMINAL LC1230 N910/RP0910/HM1810/HR2432/JR3060T/3070CT		110V

# SERVICE DRAWING

MODEL NO. 2012NB



# SERVICE DRAWING

MODEL NO. 2012NB

