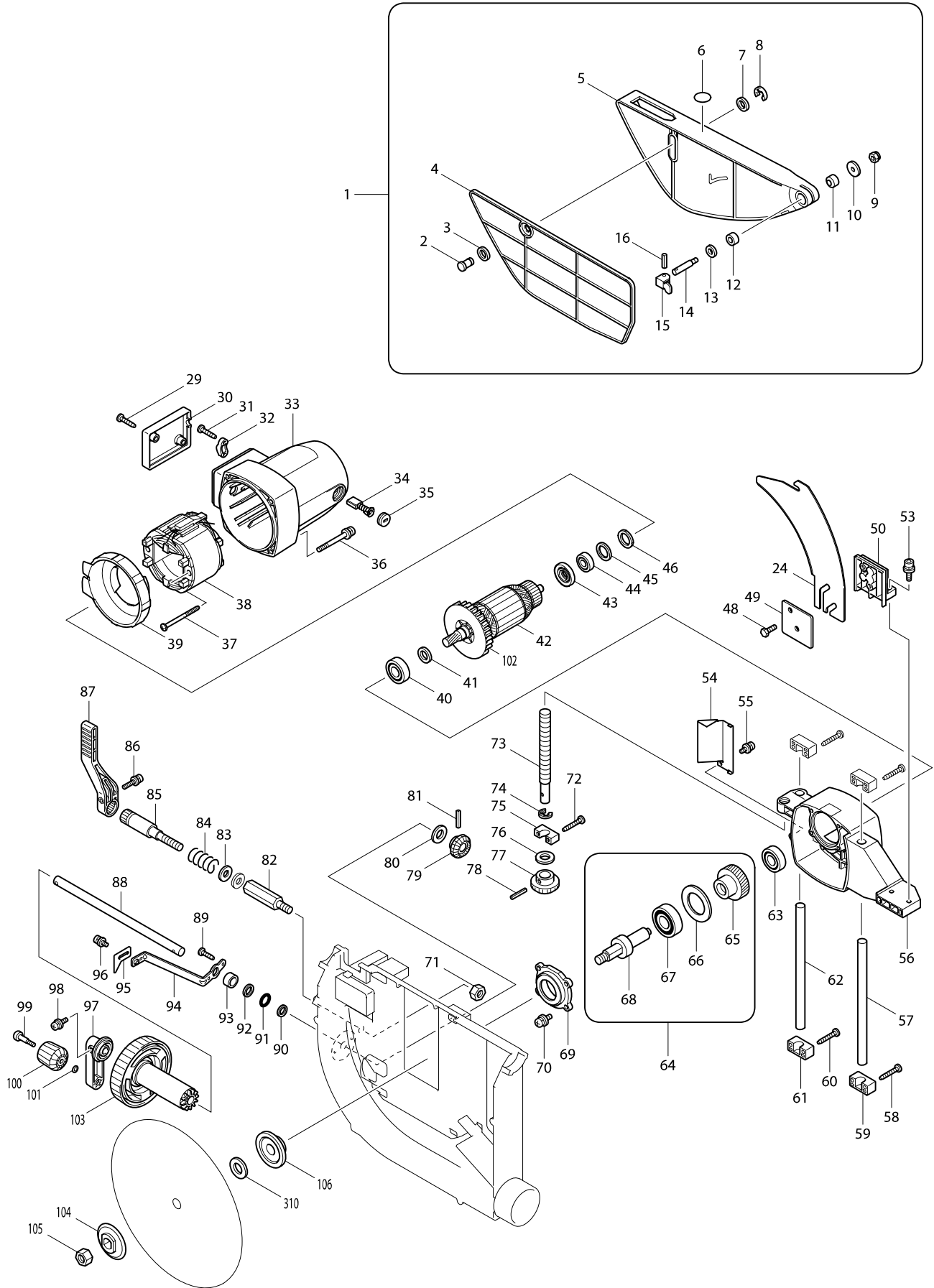
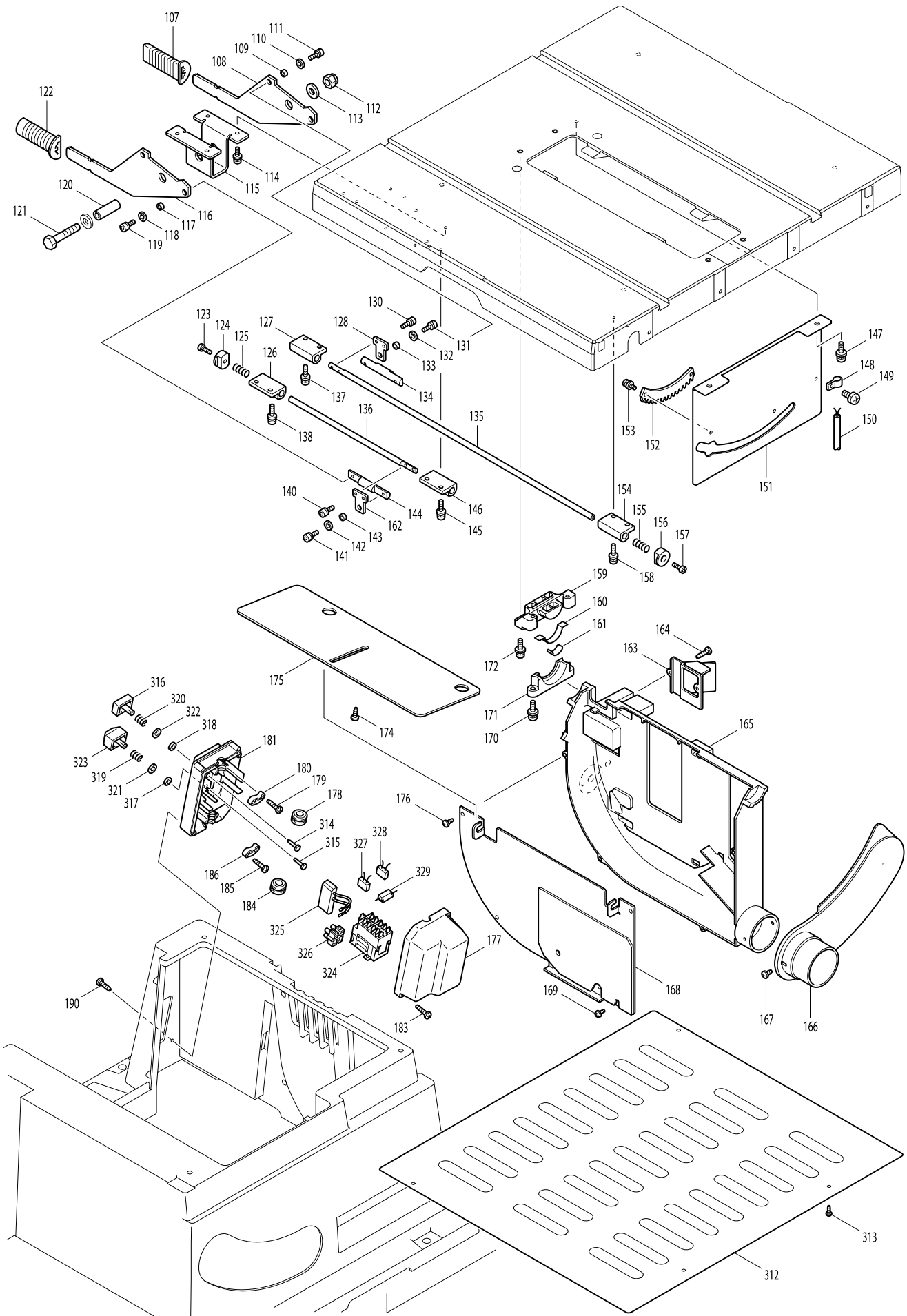


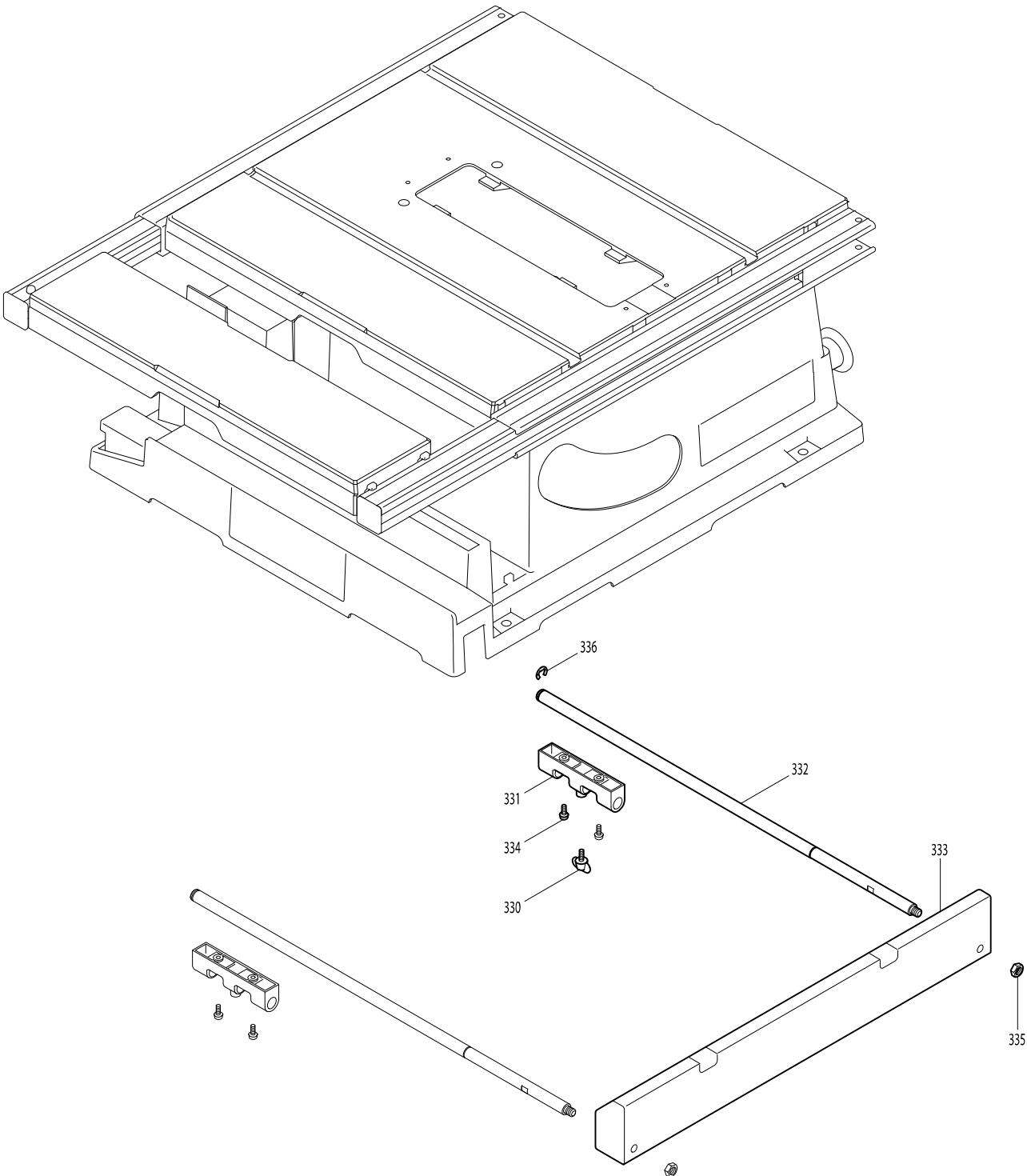
Model No. 2704 TABLE SAW 255MM



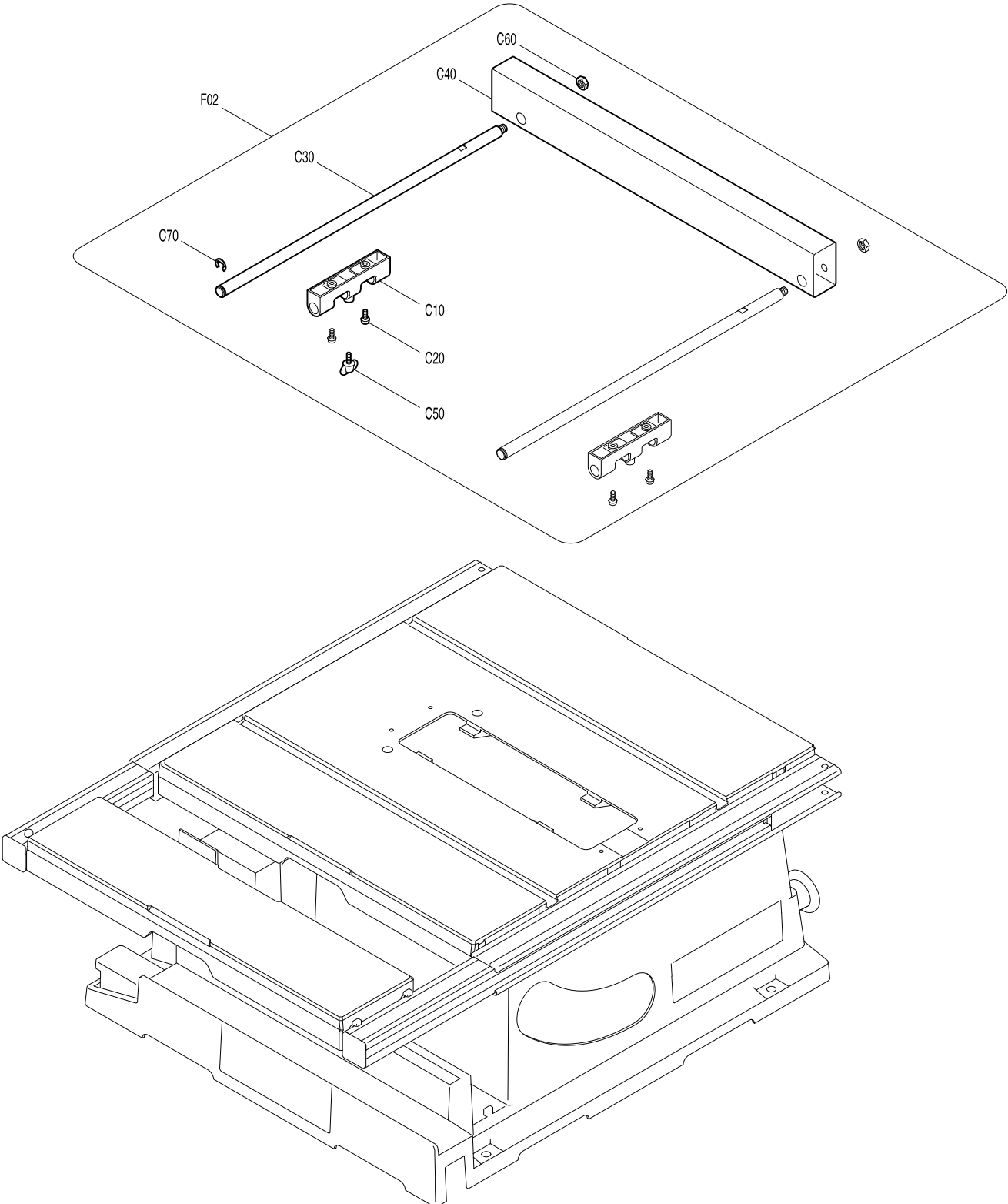
Model No. 2704 TABLE SAW 255MM



Model No. 2704 TABLE SAW 255MM



Model No. 2704 TABLE SAW 255MM



Model No. 2704 TABLE SAW 255MM

Item	Parts No.	Description	I/C	QTY	N/O	Opt. 1	Opt. 2	NOTE
001	122738-8	SAFETY GUARD ASS'Y		1		100		
C10	890408-4	CAUTION LABEL		1				
D10		INC. 2-16						
002	268135-5	SHOULDER PIN 10		1		100		
003	253758-2	FLAT WASHER 10		1		100		
004	418910-1	SUB COVER		1		100		
005	418915-1	COVER		1		100		
006	817283-3	CAUTION LABEL		1		100		
007	253758-2	FLAT WASHER 10		1		100		
008	961015-1	STOP RING E-9		1		100		
009	252014-7	HEX. LOCK NUT M6-10		1		100		
010	253010-8	FLAT WASHER 6		1		100		
011	257752-6	SLEEVE 8		1		100		
012	257752-6	SLEEVE 8		1		100		
013	253731-2	FLAT WASHER 8		1		100		
014	324554-6	LOCK SHAFT		1		100		
015	345583-6	LOCK LEVER		1		100		
016	951104-0	SPRING PIN 4-12		1		100		
024	345530-7	RIVING KNIFE		1		100		
029	265995-6	TAPPING SCREW 4X18		2		100		
030	416341-8	COVER		1		100		
031	265995-6	TAPPING SCREW 4X18		2		100		
032	687054-0	STRAIN RELIEF		1		100		
033	154602-5	MOTOR HOUSING COMPLETE		1		100		
C10	643660-1	BRUSH HOLDER 6.5-13.5		2	*	100		
C11	643653-8	BRUSH HOLDER 6.5-13.5	O	2		100		
034	181044-0	CARBON BRUSH CB-153		1		100		
035	643650-4	BRUSH HOLDER CAP 6.5-13.5		2	*	100		
035-1	643650-4	BRUSH HOLDER CAP 6.5-13.5	O	2		100		
036	911383-2	PAN HEAD SCREW M6X60		4		100		
037	266029-8	TAPPING SCREW 5X65		2		100		
038A	599510-7	FIELD ASS'Y 115V		1		152		
C10	654020-2	RING TERMINAL		2		100		
C20	654553-7	CONNECTOR 34137		2		100		
038B	599511-5	FIELD ASS'Y 220-240V		1	*	152		
C10	654020-2	RING TERMINAL		2	*	100		
C20	654553-7	CONNECTOR 34137		2	*	100		
038-1B	599546-6	FIELD ASS'Y 220-240V	S	1				
C10	654020-2	RING TERMINAL		2		100		
C20	654553-7	CONNECTOR 34137		2		100		
039	416331-1	BAFFLE PLATE		1		100		
040	211228-7	BALL BEARING 6202DDW		1		100		
041	253147-1	FLAT WASHER 15		1		100		
042A	510070-6	ARMATURE ASS'Y 115V		1		151		
D10		INC. 40,41,43,44,102						
042B	510071-4	ARMATURE ASS'Y 220V		1	*	151		
D10		INC. 40,41,43,44,102			*			
042-1B	518765-5	ARMATURE ASS'Y 240V	S	1				

Item	Parts No.	Description	I/C	QTY	N/O	Opt. 1	Opt. 2	NOTE
D10		INC. 40,41,43,44,102						
043	681640-9	INSULATION WASHER		1	100			
044	211088-7	BALL BEARING 6000DDW		1	100			
045	253198-4	FLAT WASHER 18		1	100			
046	261129-9	URETHANE WASHER 18		1	100			
048	921331-3	HEX. BOLT M6X20		2	100			
049	345525-0	PRESSURE PLATE		1	100			
050	317871-1	KNIFE HOLDER		1	100			
053	922334-0	HEX. SOCKET HEAD BOLT M6X20		2	100			
054	344536-2	GEAR HOUSING PLATE		1	100			
055	911213-7	PAN HEAD SCREW M5X12		1	100			
056	154603-3	GEAR HOUSING COMPLETE		1	100			
C10	263005-3	RUBBER PIN 6		1	100			
057	323736-7	GUIDE BAR		1	100			
058	266040-0	TAPPING SCREW CT 4X25		4	100			
059	416340-0	GUIDE BAR RETAINER		2	100			
060	266040-0	TAPPING SCREW CT 4X25		4	100			
061	416340-0	GUIDE BAR RETAINER		2	100			
062	323736-7	GUIDE BAR		1	100			
063	211051-0	BALL BEARING 609LLB		1	100			
064	154595-6	SPINDLE COMPLETE		1	100			
D10		INC. 65-68						
065	226602-6	HELICAL GEAR 42		1	100			
066	267170-0	FLAT WASHER 34		1	100			
067	211278-2	BALL BEARING 6203DDW		1	100			
068	324556-2	SPINDLE		1	100			
069	316933-2	BEARING BOX		1	100			
070	911233-1	PAN HEAD SCREW M5X20		4	100			
071	931502-4	HEX. NUT M10		1	100			
072	266040-0	TAPPING SCREW CT 4X25		2	100			
073	322968-3	SCREW BAR		1	100			
074	961016-9	STOP RING E-10		1	100			
075	416339-5	SCREW BAR RETAINER		1	100			
076	941302-4	FLAT WASHER 12		1	100			
077	226747-0	STRAIGHT BEVEL GEAR		1	100			
078	951116-3	SPRING PIN 4-20		1	100			
079	226747-0	STRAIGHT BEVEL GEAR		1	100			
080	941302-4	FLAT WASHER 12		1	100			
081	951116-3	SPRING PIN 4-20		1	100			
082	324562-7	LOCK LEVER CONNECTOR		1	100			
083	253024-7	FLAT WASHER 10		2	100			
084	231315-6	COMPRESSION SPRING 14		1	100			
085	322967-5	LOCK LEVER SHAFT		1	100			
086	922232-8	HEX. SOCKET HEAD BOLT M5X20		1	100			
087	272248-6	LEVER 120		1	100			
088	324563-5	HANDLE SHAFT		1	100			
089	266034-5	TAPPING SCREW CT 4X16		2	100			
090	253143-9	FLAT WASHER 12		1	100			

Item	Parts No.	Description	I/C	QTY	N/O	Opt. 1	Opt. 2	NOTE
091	213107-5	O RING 12		1	100			
092	253052-2	FLAT WASHER 12		1	100			
093	214114-1	PLANE BEARING 12		1	100			
094	345520-0	STAY		1	100			
095	344543-5	POINTER		1	100			
096	922103-9	HEX. SOCKET HEAD BOLT M4X6		1	100			
097	271074-0	ARM 60		1	100			
098	911223-4	PAN HEAD SCREW M5X16		1	100			
099	251382-5	+ PAN HEAD SCREW M5		1	100			
100	271423-1	KNOB 32		1	100			
101	267010-2	FLAT WASHER 5		1	100			
102	240003-4	FAN 80		1	100			
103	271073-2	HANDLE 100		1	100			
104	224347-0	OUTER FLANGE 53		1	*	100		
104-1	224482-4	OUTER FLANGE 53	<	1				
105	252155-9	HEX. NUT M12-19		1	100			
106	224401-0	INNER FLANGE 53		1	100			
107	273523-3	GRIP		1	100			
108	345534-9	HANDLE PLATE		1	100			
109	257161-9	RING 4		1	100			
110	941051-3	FLAT WASHER 4		1	100			
111	922116-0	HEX. SOCKET HEAD BOLT M4X12		1	100			
112	252130-5	HEX. LOCK NUT M10-17		1	100			
113	941251-5	FLAT WASHER 10		2	100			
114	911223-4	PAN HEAD SCREW M5X16		4	100			
115	345539-9	HANDLE PLATE HOLDER		1	100			
116	345534-9	HANDLE PLATE		1	100			
117	257161-9	RING 4		1	100			
118	941051-3	FLAT WASHER 4		1	100			
119	922116-0	HEX. SOCKET HEAD BOLT M4X12		1	100			
120	257753-4	SLEEVE 10		1	100			
121	265536-8	HEX.BOLT M16X65		1	100			
122	273523-3	GRIP		1	100			
123	265382-9	HEX. SOCKET HEAD BOLT M5X20		1	100			
124	324559-6	HOOK RING		1	100			
125	233229-5	COMPRESSION SPRING 8		1	100			
126	418655-1	ROD HOLDER		1	100			
127	418655-1	ROD HOLDER		1	100			
128	345535-7	JOINT PLATE		1	100			
130	922116-0	HEX. SOCKET HEAD BOLT M4X12		2	100			
131	922116-0	HEX. SOCKET HEAD BOLT M4X12		1	100			
132	941051-3	FLAT WASHER 4		1	100			
133	257161-9	RING 4		1	100			
134	324560-1	ROD JOINT		1	*	100		
134-1	324675-4	ROD JOINT	S	1	100			
135	324557-0	ROD R		1	*	100		
135-1	324673-8	ROD R	S	1	100			
136	324558-8	ROD F		1	*	100		

Item	Parts No.	Description	I/C	QTY	N/O	Opt. 1	Opt. 2	NOTE
136-1	324674-6	ROD F	S	1		100		
137	911128-8	P.H.SCREW M4X16 WITH WR		2		100		
138	911128-8	P.H.SCREW M4X16 WITH WR		2		100		
140	922116-0	HEX. SOCKET HEAD BOLT M4X12		2		100		
141	922116-0	HEX. SOCKET HEAD BOLT M4X12		1		100		
142	941051-3	FLAT WASHER 4		1		100		
143	257161-9	RING 4		1		100		
144	324560-1	ROD JOINT		1	*	100		
144-1	324675-4	ROD JOINT	S	1		100		
145	911128-8	P.H.SCREW M4X16 WITH WR		2		100		
146	418655-1	ROD HOLDER		1		100		
147	911323-0	PAN HEAD SCREW M6X16		2		100		
148	687049-3	STRAIN RELIEF		1		100		
149	251308-7	+ PAN HEAD SCREW M4X10		1		100		
150A	664085-6	POWER SUPPLY CORD 1.5-3-0.5		1				
150B	664094-5	POWER SUPPLY CORD 1.5-5-0.5		1				
151	345628-0	PLATE		1		100		
152	416333-7	RACK PLATE		1		100		
153	911213-7	PAN HEAD SCREW M5X12		2		100		
154	418655-1	ROD HOLDER		1		100		
155	233229-5	COMPRESSION SPRING 8		1		100		
156	324559-6	HOOK RING		1		100		
157	265382-9	HEX. SOCKET HEAD BOLT M5X20		1		100		
158	911128-8	P.H.SCREW M4X16 WITH WR		2		100		
159	317010-3	ADJUST BLOCK		1	*	100		
159-1	318020-3	ADJUST BLOCK	<	1		100		
160	344529-9	SLIDE SEAT		2		100		
161	232174-1	LEAF SPRING		2		100		
162	345535-7	JOINT PLATE		1		100		
163	416439-1	DUST GUIDE		1		100		
164	266034-5	TAPPING SCREW CT 4X16		2		100		
165	317880-0	FRAME		1	*	100		
165-1	318253-0	FRAME	O	1		100		
166	418917-7	DUST JOINT		1		100		
167	266061-2	TAPPING SCREW BIND CT 4X8		2		100		
168	154599-8	FRAME COVER COMPLETE		1		100		
169	911114-9	PAN HEAD SCREW M4X10		1		100		
170	911333-7	PAN HEAD SCREW M6X20		4		100		
171	416332-9	FRAME RETAINER		2		100		
172	265460-5	HEX. BOLT M6X20		2		100		
174	266300-0	TAPPING SCREW 4X18		2		100		
175	413097-4	SLIDE COVER		1		100		
176	266035-3	TAPPING SCREW BIND CT 5X12		4		100		
177	418918-5	SWITCH BOX		1		100		
178	682511-3	GROMMET		1		100		
179	265995-6	TAPPING SCREW 4X18		2		100		
180	687054-0	STRAIN RELIEF		1		100		
181	418912-7	SWITCH BASE		1		100		

Item	Parts No.	Description	I/C	QTY	N/O	Opt. 1	Opt. 2	NOTE
183	265995-6	TAPPING SCREW 4X18		2		100		
184	682511-3	GROMMET		1		100		
185	265995-6	TAPPING SCREW 4X18		2		100		
186A	687053-2	STRAIN RELIEF		1		100		
186B	687052-4	STRAIN RELIEF		1		100		
190	266192-7	TAPPING SCREW 4X14		3		100		
191	816844-6	INNER SCALE PLATE		1		100		
192	251308-7	+ PAN HEAD SCREW M4X10		1		100		
193	911253-5	PAN HEAD SCREW M5X30		2		100		
194	418908-8	INNER RAIL END		1		100		
195	922146-1	HEX. SOCKET HEAD BOLT M4X25		1		100		
196	154705-5	FRONT OUTER RAIL COMPLETE		1		100		
C10	816843-8	OUTER SCALE PLATE		1		100		
199	317877-9	SUB TABLE		1		100		
200	317876-1	TABLE		1	*			
200-1	317876-1	TABLE	<	1				
201	922126-7	HEX. SOCKET HEAD BOLT M4X16		1		100		
202	317868-0	FRONT INNER RAIL		1	*	100		
202-1	158104-3	FRONT INNER RAIL COMPLETE	<	1		100		
203	911233-1	PAN HEAD SCREW M5X20		4		100		
206	418907-0	OUTER RAIL END		1		100		
207	265045-7	+ PAN HEAD SCREW M5X18		2		100		
208	125279-3	CENTER COVER ASS'Y		1		100		
D10		INC. 211,212						
211	317875-3	CENTER COVER		1		100		
212	266264-8	H.S.SET SCREW(FLAT POINT)M5X6		4		100		
214	418907-0	OUTER RAIL END		1		100		
215	911233-1	PAN HEAD SCREW M5X20		4		100		
216	317867-2	REAR OUTER RAIL		1		100		
217	345529-2	RAIL STOPPER		1		100		
218	251308-7	+ PAN HEAD SCREW M4X10		1		100		
220	922126-7	HEX. SOCKET HEAD BOLT M4X16		1		100		
221	317869-8	REAR INNER RAIL		1	*	100		
221-1	158103-5	REAR INNER RAIL COMPLETE	<	1		100		
222	345533-1	BASE FRONT COVER		1		100		
223	266020-6	TAPPING SCREW 4X12		4	*	100		
223-1	266192-7	TAPPING SCREW 4X14	O	4		100		
225	911253-5	PAN HEAD SCREW M5X30		2		100		
226	922146-1	HEX. SOCKET HEAD BOLT M4X25		1		100		
227	418908-8	INNER RAIL END		1		100		
228	286212-1	CAP 20		4		100		
229	154608-3	BASE COMPLETE		1		100		
C10	810107-2	CAUTION LABEL		1		100		
C20	819176-0	MAKITA LOGO PLATE		3		100		
230	265995-6	TAPPING SCREW 4X18		2		100		
231A	687053-2	STRAIN RELIEF		1		100		
231B	687052-4	STRAIN RELIEF		1		100		
232A	682504-0	CORD GUARD 10-85		1		100		

Item	Parts No.	Description	I/C	QTY	N/O	Opt. 1	Opt. 2	NOTE
232B	682516-3	CORD GUARD 9.3-85		1		100		
233A	695217-4	POWER SUPPLY CORD 1.5-2-2.5		1		100		
233B	692527-0	POWER SUPPLY CORD 1.0-2-2.5		1		100		
234	931302-2	HEX. NUT M6		2		100		
235	271318-8	KNOB 37		2		100		
236	941151-9	FLAT WASHER 6		2		100		
237	921342-8	HEX. BOLT M6X25		2		100		
238	271320-1	KNOB 37		1		100		
239	252197-3	HEX.NUT M14		1		100		
240	421926-7	HOLDER		1		100		
241	931402-8	HEX. NUT M8		1		100		
242	253797-2	FLAT WASHER 14		1		100		
243	265537-6	HEX.BOLT M14X65		1		100		
244	921462-8	HEX. BOLT M8X40		1		100		
245	861373-4	2704 NAME PLATE		1		100		
246	911344-2	PAN HEAD SCREW M6X25		4		100		
247	317865-6	ANGLE RULE BLOCK		1		100		
248	266364-4	R.H.S.NECK BOLT M8X35 (S TYPE)		1		100		
249	345522-6	ANGLE RULE GUIDE		1		100		
250	256769-6	PIN 6		1		100		
251	317872-9	ANGLE RAIL		1		100		
252	266378-3	H.S.SET SCREW(FLAT POINT)M5X5		2		100		
253	345523-4	ANGLE STOPPER		1		100		
254	324530-0	SCALE PIN		1		100		
255	911138-5	PAN HEAD SCREW M4X20		3		100		
256	931102-0	HEX. NUT M4		3		100		
257	252650-9	THUMB NUT M8		1		100		
258	273524-1	GRIP 28		1		100		
259	922333-2	HEX.SOCKET HD BOLT M6X20		4		100		
260	317897-3	RULER		1		100		
261	345521-8	RULE GUIDE		1		100		
262	317864-8	RULER ADAPTER		1		100		
263	911108-4	PAN HEAD SCREW M4X8		2		100		
264	418945-2	LENS		1		100		
265	418943-6	COVER		1		100		
266	317895-7	RULER TOP HOLDER		1	*	100		
266-1	154699-4	RULE HOLDER COMPLETE	X	1		100		
C10	816836-5	INDICATION LABEL		1		100		
267	265768-7	THUMB SCREW M6X52		2		100		
268	418948-6	SQUARE GUIDE		1		100		
269	265954-0	TAPPING SCREW BIND PT3X8		1		100		
270	231485-1	COMPRESSION SPRING 4		1		100		
271	418947-8	RULE HOLDER GUIDE		1		100		
272	231485-1	COMPRESSION SPRING 4		1		100		
273	345560-8	LOCK PLATE		1	*	100		
273-1	345560-8	LOCK PLATE	<	1		100		
274	265155-0	+PAN HEAD SCREW M5X25		1		100		
275	418946-0	LEVER		1		100		

Item	Parts No.	Description	I/C	QTY	N/O	Opt. 1	Opt. 2	NOTE
276	231297-2	COMPRESSION SPRING 9		1		100		
277	418944-4	LOCK LEVER		1		100		
278	253874-0	FLAT WASHER 4		1		100		
279	266020-6	TAPPING SCREW 4X12		1		100		
280	911133-5	PAN HEAD SCREW M4X18		4		100		
281	911238-1	PAN HEAD SCREW M5X22		2		100		
282	345566-6	HANDLE CAM		1		100		
283	345559-3	HANDLE CAM SUPPORT		1		100		
284	256029-6	PIN 8		1		100		
285	256200-2	PIN 5		1		100		
286	911118-1	PAN HEAD SCREW M4X12		4		100		
287	345564-0	LOCK PLATE STAY		1		100		
288	256200-2	PIN 5		1		100		
289	345565-8	HOOK JOINT		1		100		
290	265154-2	+P.H.SCREW M5X655		1		100		
291	324555-4	NUT M5		1		100		
292	256262-0	PIN 5		1		100		
293	345562-4	RULER TOP CONNECTER		1		100		
294	256262-0	PIN 5		1		100		
295	231683-7	TORSION SPRING 8		1		100		
296	313123-8	RULER TOP		1		100		
297	345563-2	RULER TOP GUIDE		1		100		
298	911118-1	PAN HEAD SCREW M4X12		2		100		
299	911118-1	PAN HEAD SCREW M4X12		3		100		
300	345561-6	RULER TOP SUPPORT		1		100		
301	256262-0	PIN 5		1		100		
302	154699-4	RULE HOLDER COMPLETE		1	*	100		
C10	816836-5	INDICATION LABEL		1	*	100		
302-1	317895-7	RULER TOP HOLDER	X	1		100		
303	317874-5	ANGLE RULE		1		100		
304	122734-6	ANGLE RULE ASS'Y		1		100		
D10		INC. 247-258,303,306-309						
305	122739-6	RULER ASS'Y		1	*	100		
D10		INC. 259-302			*			
305-1	122739-6	RULER ASS'Y	<	1		100		
D10		INC. 259-302						
306	265160-7	+ COUNTERSUNK HEAD SCREW M4X8		3		100		
308	267305-3	FLAT WASHER 5/16"		1		100		
309	419219-4	ANGLE RULE COVER		1		100		
310	257262-3	RING 16		1		100		
311	262559-7	SLEEVE 14		1		100		
312	345536-5	BASE UNDER COVER		1		100		
313	266020-6	TAPPING SCREW 4X12		4	*	100		
313-1	266192-7	TAPPING SCREW 4X14	O	4		100		
314	418618-7	PIN		1		100		
315	418618-7	PIN		1		100		
316	418616-1	SWITCH BUTTON ON		1		100		
317	443103-1	FELT RING 6		1		100		

