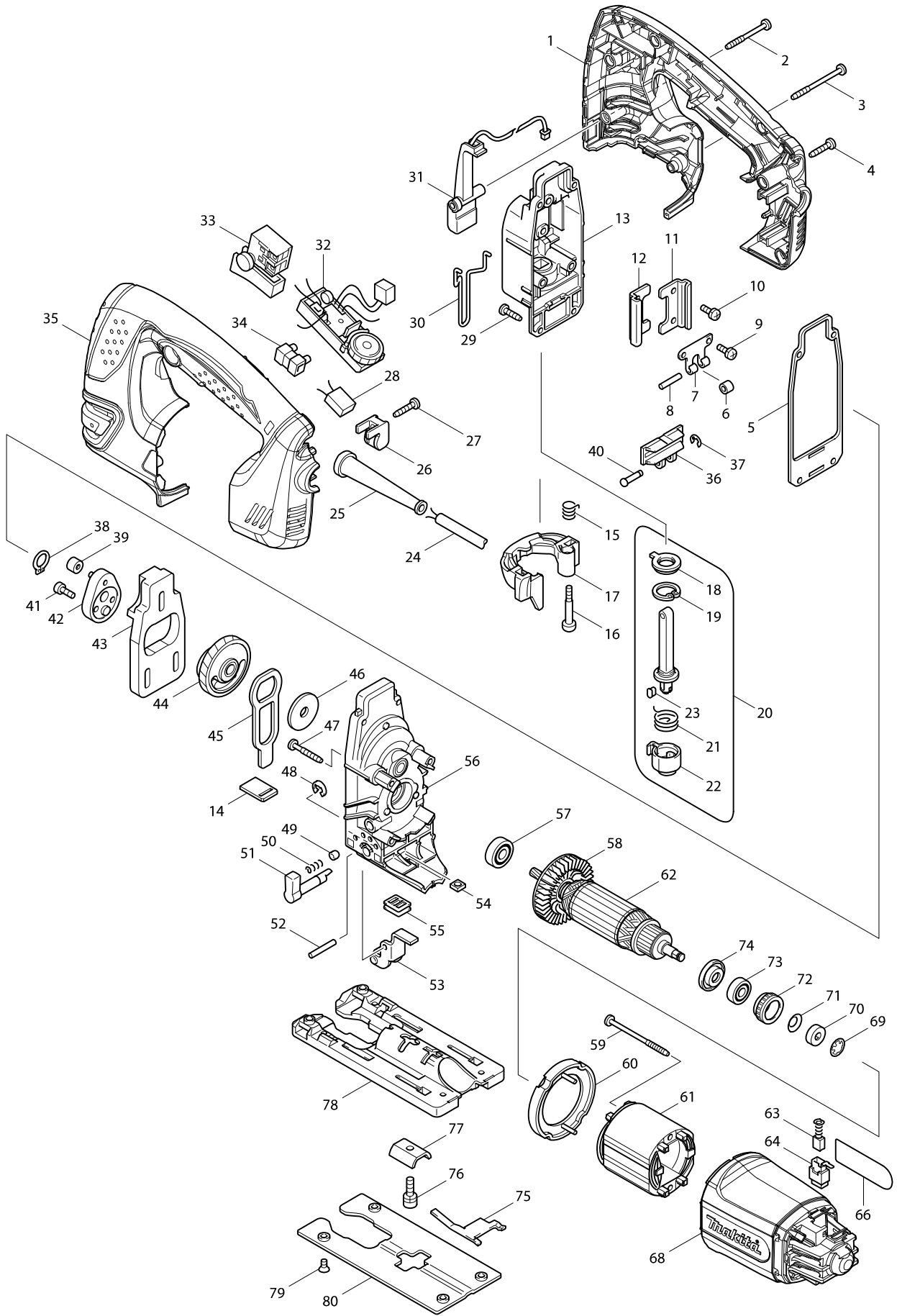


Model No. 4350FCT JIG SAW



Model No. 4350FCT JIG SAW

Item	Parts No.	Description	I/C	QTY	N/O	Opt. 1	Opt. 2	NOTE
001	188287-5	HANDLE SET		1	100			
D10		INC. 35						
002	266048-4	TAPPING SCREW 4X40		1	100			
003	266091-3	TAPPING SCREW 4X50		1	100			
004	265995-6	TAPPING SCREW 4X18		5	100			
005	442138-9	PACKING		1	100			
006	214031-5	PLANE BEARING 4		1	100			
007	232207-2	LEAF SPRING		1	100			
008	256117-9	PIN 4		1	100			
009	911111-5	PAN HEAD SCREW M4X10 WITH W		2	100			
010	911111-5	PAN HEAD SCREW M4X10 WITH W		2	100			
011	345240-6	LINEAR GUIDE		1	100			
012	345240-6	LINEAR GUIDE		1	100			
013	153338-3	GEAR HOUSING COVER COMPLETE		1	100			
C10	253313-0	THIN WASHER 14		1	100			
C20	257250-0	RING 20		1	100			
C30	421815-6	DUST SEAL 8		1	100			
014	417839-8	SEAL PLATE		1	100			
015	231659-4	TORSION SPRING 6		1	100			
016	265026-1	+ PAN HEAD SCREW M4		1	100			
017	419820-5	TOOL OPENER		1	100			
018	421817-2	DUST COVER		1	100			
019	962068-3	RETAINING RING R-18		1	100			
020	135060-4	ROD ASSY		1	100			
C10	165326-8	ROD		1	100			
D10		INC. 18,19,21-23						
021	231660-9	TORSION SPRING 15		1	100			
022	310136-0	BLADE HOLDER		1	100			
023	310135-2	PUSH PIN		1	100			
024A	665918-8	POWER SUPPLY CORD 1.0-2-2.5		1	100			
024B	692519-9	POWER SUPPLY CORD 1.0-2-2.5		1	100			
024E	665918-8	POWER SUPPLY CORD 1.0-2-2.5		1	100			
024F	692519-9	POWER SUPPLY CORD 1.0-2-2.5		1	100			
024G	665918-8	POWER SUPPLY CORD 1.0-2-2.5		1	100			
024H	692519-9	POWER SUPPLY CORD 1.0-2-2.5		1	100			
025	682566-8	CORD GUARD 10		1	100			
026	687260-7	STRAIN RELIEF		1	100			
027	265995-6	TAPPING SCREW 4X18		1	100			
028	645149-5	NOISE SUPPRESSOR		1	100			
029	266034-5	TAPPING SCREW CT 4X16		4	100			
030	324233-6	SAFETY WIRE		1	100			
031	631470-8	LED CIRCUIT		1	100			
032A	631765-9	CONTROLLER		1	100			
032B	631766-7	CONTROLLER		1	100			
032E	631765-9	CONTROLLER		1	100			
032F	631766-7	CONTROLLER		1	100			
032G	631765-9	CONTROLLER		1	100			
032H	631766-7	CONTROLLER		1	100			

Model No. 4350FCT JIG SAW

Item	Parts No.	Description	I/C	QTY	N/O	Opt. 1	Opt. 2	NOTE
033	650231-7	SWITCH TGL115CDT-1		1		100		
034	654532-5	TERMINAL BLOCK 1P		1		100		
035	188287-5	HANDLE SET		1		100		
D10		INC. 1						
036	310134-4	SLIDER		1		100		
037	961017-7	STOP RING E-3		1		100		
038	961004-6	RETAINING RING S-8		1		100		
039A	212014-9	NEEDLE BEARING 407		1	*	100		
039B	212014-9	NEEDLE BEARING 407		1	*	100		
039E	212014-9	NEEDLE BEARING 407		1	*	100		
039F	212014-9	NEEDLE BEARING 407		1	*	100		
039-1A	212092-9	NEEDLE BEARING 407	O	1				
039-1B	212092-9	NEEDLE BEARING 407	O	1				
039-1E	212092-9	NEEDLE BEARING 407	O	1				
039-1F	212092-9	NEEDLE BEARING 407	O	1				
039-1G	212092-9	NEEDLE BEARING 407		1				
039-1H	212092-9	NEEDLE BEARING 407		1				
040	268090-1	PIN 4		1		100		
041	265353-6	HEX. SOCKET HEAD BOLT M4X12		2		100		
042	153336-7	CRANK COMPLETE		1		100		
043	313108-4	BALANCE PLATE		1		100		
044	153335-9	GEAR COMPLETE		1		100		
C10	212043-2	NEEDLE BEARING 810		2		100		
045	345235-9	PUSH PLATE		1		100		
046	253877-4	FLAT WASHER 8		1		100		
047	266050-7	TAPPING SCREW 4X30		4		100		
048	961018-5	STOP RING E-5		1		100		
049	286032-3	CAP 5		1		100		
050	233139-6	COMPRESSION SPRING 3		1		100		
051A	272244-4	LEVER 17		1	*	100		
051B	272244-4	LEVER 17		1	*	100		
051E	272244-4	LEVER 17		1	*	100		
051F	272244-4	LEVER 17		1	*	100		
051-1A	272280-0	LEVER 17	<	1		100		
051-1B	272280-0	LEVER 17	<	1		100		
051-1E	272280-0	LEVER 17	<	1		100		
051-1F	272280-0	LEVER 17	<	1		100		
051-1G	272280-0	LEVER 17		1		100		
051-1H	272280-0	LEVER 17		1		100		
052	268063-4	PIN 4		1		100		
053	153334-1	RETAINER COMPLETE		1		100		
054	252171-1	SQUARE NUT M5-8		1		100		
055	421816-4	DUST SEAL		1		100		
056	153337-5	GEAR HOUSING COMPLETE		1		100		
057	210005-4	BALL BEARING 608DDW		1		100		
058	241881-5	FAN 52		1		100		
059	266052-3	TAPPING SCREW 4X60		2		100		
060	417838-0	BAFFLE PLATE		1		100		

Model No. 4350FCT JIG SAW

Item	Parts No.	Description	I/C	QTY	N/O	Opt. 1	Opt. 2	NOTE
C10	654069-2	RECEPTACLE		2		100		
061A	593506-0	FIELD ASS'Y 115V		1		152		
061B	593508-6	FIELD ASS'Y 220-240V		1		152		
061E	593506-0	FIELD ASS'Y 115V		1		152		
061F	593508-6	FIELD ASS'Y 220-240V		1		152		
061G	593506-0	FIELD ASS'Y 115V		1		152		
061H	593508-6	FIELD ASS'Y 220-240V		1		152		
D10		INC. 57,58,73,74						
062A	517396-7	ARMATURE ASS'Y 115V		1		151		
062B	517398-3	ARMATURE ASS'Y 220-240V		1		151		
062E	517396-7	ARMATURE ASS'Y 115V		1		151		
062F	517398-3	ARMATURE ASS'Y 220-240V		1		151		
062G	517396-7	ARMATURE ASS'Y 115V		1		151		
062H	517398-3	ARMATURE ASS'Y 220-240V		1		151		
063	191962-4	CARBON BRUSH CB-419		1		100		
064	643936-6	BRUSH HOLDER		2		100		
066	863673-8	4350FCT NAME PLATE		1		100		
068	419886-5	MOTOR HOUSING		1		100		
069	259039-2	SELF LOCK 6		1		100		
070	688117-5	MAGNET SLEEVE		1		100		
071	267756-0	WAVE WASHER 6		1		100		
072	421494-0	RUBBER RING 19		1		100		
073	211021-9	BALL BEARING 607LLB		1		100		
074	681636-0	INSULATION WASHER		1		100		
075	232208-0	LEAF SPRING		1		100		
076	922226-3	HEX. SOCKET HEAD BOLT M5X18		1		100		
077	345237-5	CRANK PLATE		1		100		
078	317565-8	BASE		1		100		
079	912107-9	COUNTERSUNK HEAD SCREW M4X8		4		100		
080	345238-3	BASE PLATE		1		100		
A01	415524-7	ANTI-SPLINTERING DEVICE		1				
A02	417852-6	COVER PLATE		1		100		
A03A	792522-1	JIG SAW BLADE B-22		1	*			
A03B	792522-1	JIG SAW BLADE B-22		1	*			
A03-1A	A-85737	JIGSAW BLADE NO.B22	<	1				
A03-1B	A-85737	JIGSAW BLADE NO.B22	<	1				
A03-1E	A-85737	JIGSAW BLADE NO.B22		1				
A03-1F	A-85737	JIGSAW BLADE NO.B22		1				
A03-1G	A-85737	JIGSAW BLADE NO.B22		1				
A03-1H	A-85737	JIGSAW BLADE NO.B22		1				
A04A	792538-6	JIG SAW BLADE B-10		1	*			
A04B	792538-6	JIG SAW BLADE B-10		1	*			
A04-1A	A-85628	JIGSAW BLADE NO.B10	<	1				
A04-1B	A-85628	JIGSAW BLADE NO.B10	<	1				
A04-1E	A-85628	JIGSAW BLADE NO.B10		1				
A04-1F	A-85628	JIGSAW BLADE NO.B10		1				
A04-1G	A-85628	JIGSAW BLADE NO.B10		1				
A04-1H	A-85628	JIGSAW BLADE NO.B10		1				

Model No. 4350FCT JIG SAW

Item	Parts No.	Description	I/C	QTY	N/O	Opt. 1	Opt. 2	NOTE
A05A	A-02294	JIG SAW BLADE BR-13		1	*			
A05B	A-02294	JIG SAW BLADE BR-13		1	*			
A05-1A	A-85793	JIGSAW BLADE NO.BR13	<	1				
A05-1B	A-85793	JIGSAW BLADE NO.BR13	<	1				
A05-1E	A-85793	JIGSAW BLADE NO.BR13		1				
A05-1F	A-85793	JIGSAW BLADE NO.BR13		1				
A05-1G	A-85793	JIGSAW BLADE NO.BR13		1				
A05-1H	A-85793	JIGSAW BLADE NO.BR13		1				
A06	783202-0	HEX. WRENCH 4		1				
A07A	824809-4	PLASTIC CARRYING CASE		1				
A07B	824809-4	PLASTIC CARRYING CASE		1				
A07E	821549-5	CONNECTOR PLASTIC CASE (TYPE1)		1				
C10	453974-8	LATCH		4	100			
A07F	821549-5	CONNECTOR PLASTIC CASE (TYPE1)		1				
C10	453974-8	LATCH		4	100			
A07G	824809-4	PLASTIC CARRYING CASE		1				
A07H	824809-4	PLASTIC CARRYING CASE		1				
A08	417853-4	DUST NOZZLE		1				
A09E	837803-7	INNER TRAY		1				
A09F	837803-7	INNER TRAY		1				
A09G	B-06292	JIGSAW BLADE ASSORT		1				
A09H	B-06292	JIGSAW BLADE ASSORT		1				
A10E	800M82-8	4350FCTJ INDICATION LABEL		1				
A10F	800M82-8	4350FCTJ INDICATION LABEL		1				
A11E	800M83-6	4350FCTJ PLASTIC CASE LABEL		2				
A11F	800M83-6	4350FCTJ PLASTIC CASE LABEL		2				
E01A	655030-2	PLUG UK TYPE 16A-4H/110V		1				
E01E	655030-2	PLUG UK TYPE 16A-4H/110V		1				
E01G	655030-2	PLUG UK TYPE 16A-4H/110V		1				
E02A	654091-9	NON-INSULATED TERMINAL1.25-2AF		2	100			
E02E	654091-9	NON-INSULATED TERMINAL1.25-2AF		2	100			
E02G	654091-9	NON-INSULATED TERMINAL1.25-2AF		2	100			

Please order the parts with a part number.