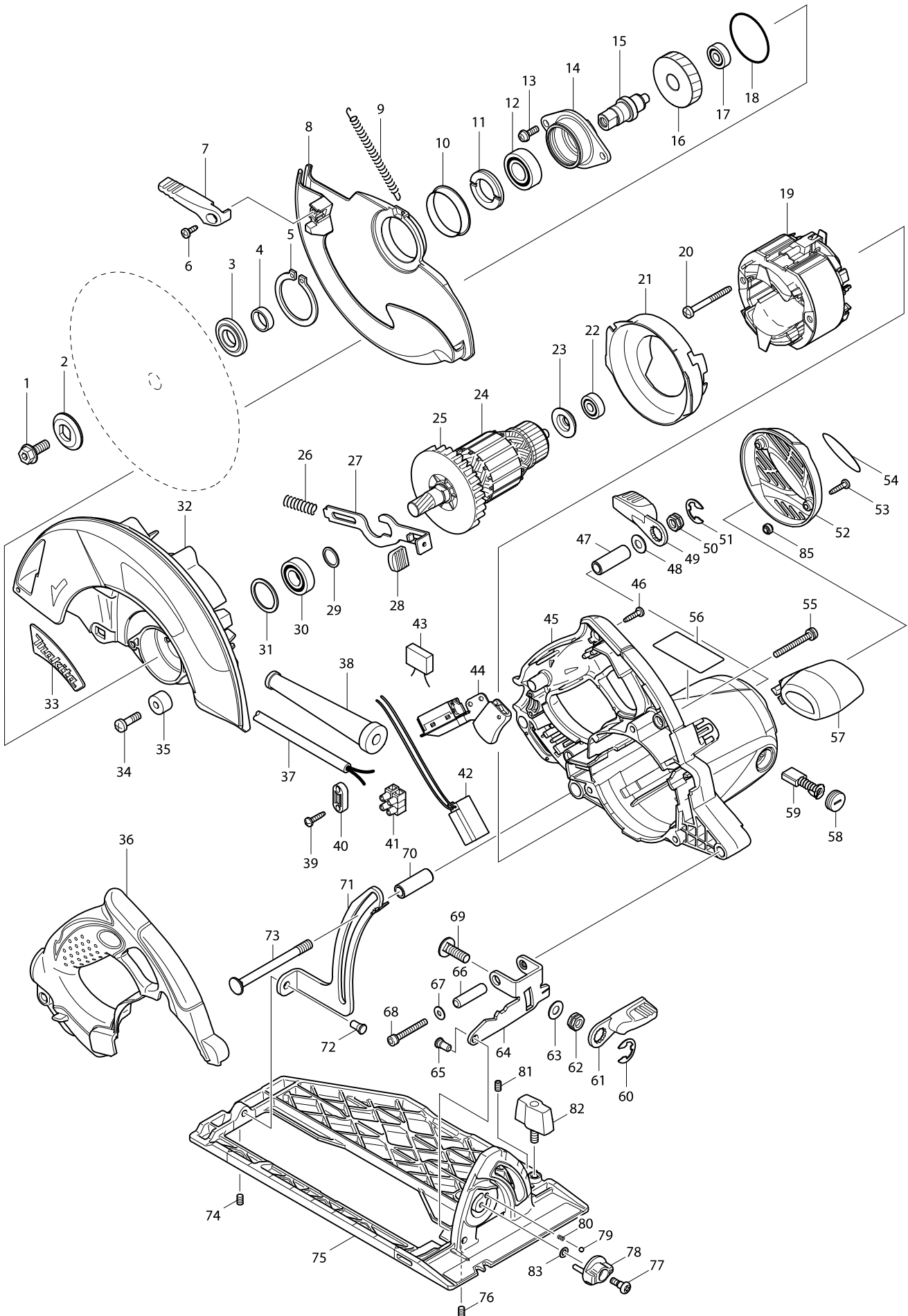


Model No. 5008MG CIRCULAR SAW 210MM



Model No. 5008MG CIRCULAR SAW 210MM

Item	Parts No.	Description	I/C	QTY	N/O	Opt. 1	Opt. 2	NOTE
001	266283-4	HEX. SOCKET HEX. BOLT M8X20		1		100		
002	224409-4	OUTER FLANGE 35		1		100		
003	224412-5	INNER FLANGE 35		1	*	100		
003-1	224473-5	INNER FLANGE 35	O	1	*			
003-2	224593-5	INNER FLANGE 35	<	1				
004	257279-6	RING 17		1		100		
005	961201-4	RETAINING RING S-42		1		100		
006	266398-7	TAPPING SCREW BIND CT 4X12		1		100		
007	272258-3	LEVER 37		1		100		
008	318175-4	SAFETY COVER		1		100		
009	231848-1	TENSION SPRING 4		1		100		
010	345422-0	SPACER		1	*	100		
010-1	346880-3	SPACER	<	1				
011	285848-3	BEARING RETAINER 23-36		1		100		
012B	211275-8	BALL BEARING 6003DDW		1	*	100		
012-1A	210301-0	BALL BEARING 6003DDW		1		100		
012-1B	210301-0	BALL BEARING 6003DDW	O	1		100		
012-1C	210301-0	BALL BEARING 6003DDW		1		100		
012-1D	210301-0	BALL BEARING 6003DDW		1		100		
013	911223-4	PAN HEAD SCREW M5X16		2		100		
014	318056-2	BEARING BOX		1		100		
015	324690-8	SPINDLE		1		100		
016	226662-8	HELICAL GEAR 43		1		100		
017	211031-6	BALL BEARING 608LLB		1		100		
018	213623-7	O RING 46		1		100		
C10	654020-2	RING TERMINAL		2		100		
C20	654502-4	CONNECTOR P-2		2		100		
019A	599526-2	FIELD ASS'Y 115V		1		100		
019B	596289-1	FIELD ASS'Y 240V		1		100		
019C	599526-2	FIELD ASS'Y 115V		1		100		
019D	596289-1	FIELD ASS'Y 240V		1		100		
020	266397-9	TAPPING SCREW BIND 5X50		2		100		
021	419548-5	BAFFLE PLATE		1		100		
022	211031-6	BALL BEARING 608LLB		1		100		
023	681625-5	INSULATION WASHER		1		100		
D10		INC. 22,23,25,29,30						
024A	518738-8	ARMATURE ASS'Y 115V		1		100		
024B	517764-4	ARMATURE ASS'Y 240V		1		100		
024C	518738-8	ARMATURE ASS'Y 115V		1		100		
024D	517764-4	ARMATURE ASS'Y 240V		1		100		
025	240003-4	FAN 80		1		100		
026	231297-2	COMPRESSION SPRING 9		1		100		
027	345717-1	SHAFT LOCK		1		100		
028	286275-7	CAP		1		100		
029	267280-3	FLAT WASHER 15		1		100		
030	211236-8	BALL BEARING 6002DDW		1		100		
031	261132-0	URETHANE WASHER 26		1		100		
032	188446-1	BLADE CASE SET		1		100		

Model No. 5008MG CIRCULAR SAW 210MM

Item	Parts No.	Description	I/C	QTY	N/O	Opt. 1	Opt. 2	NOTE
C10	213459-4	O RING 32		1		100		
C20	263002-9	RUBBER PIN 4		1		100		
C30	816892-5	SCALE PLATE		1		100		
D10		INC. 33						
033	819234-2	MAKITA LOGO PLATE		1		100		
034	251247-1	+ PAN HEAD SCREW M6X20		1		100		
035	262552-1	RUBBER SLEEVE 6		1		100		
036	419553-2	HANDLE COVER		1		100		
037A	695217-4	POWER SUPPLY CORD 1.5-2-2.5		1		100		
037B	692527-0	POWER SUPPLY CORD 1.0-2-2.5		1		100		
037C	695217-4	POWER SUPPLY CORD 1.5-2-2.5		1		100		
037D	692527-0	POWER SUPPLY CORD 1.0-2-2.5		1		100		
038	682564-2	CORD GUARD		1		100		
039	266326-2	TAPPING SCREW 4X18		2		100		
040A	687140-7	STRAIN RELIEF		1		100		
040B	687124-5	STRAIN RELIEF		1		100		
040C	687140-7	STRAIN RELIEF		1		100		
040D	687124-5	STRAIN RELIEF		1		100		
041	654531-7	TERMINAL BLOCK 2P		1		100		
042A	631709-9	LIGHT CIRCUIT		1		100		
042B	631710-4	LIGHT CIRCUIT		1		100		
042C	631709-9	LIGHT CIRCUIT		1		100		
042D	631710-4	LIGHT CIRCUIT		1		100		
043	645200-1	NOISE SUPPRESSOR		1		100		
044	651189-3	SWITCH TG933TN-2		1		100		
045	158100-1	MOTOR HOUSING COMPLETE		1		100		
C10	643653-8	BRUSH HOLDER 6.5-13.5		2		100		
046	266326-2	TAPPING SCREW 4X18		5		100		
047	331719-3	PIPE 9		1		100		
048	941201-0	FLAT WASHER 8		1		100		
049	272253-3	LEVER 56		1		100		
050	252199-9	HEX. NUT M8-13		1		100		
051	257953-6	BOW STOP RING E-12		1		100		
052	188448-7	REAR COVER SET		1		100		
D10		INC. 54						
053	266326-2	TAPPING SCREW 4X18		2		100		
054	819237-6	MAKITA LOGO LABEL		1		100		
055	911268-2	PAN HEAD SCREW M5X45		3		100		
056	863999-8	5008MG NAME PLATE		1		100		
057	419550-8	FRONT GRIP		1		100		
058	643650-4	BRUSH HOLDER CAP 6.5-13.5		2	*	100		
058-1	643650-4	BRUSH HOLDER CAP 6.5-13.5	O	2		100		
059	181044-0	CARBON BRUSH CB-153		1		100		
060	257953-6	BOW STOP RING E-12		1		100		
061	272253-3	LEVER 56		1		100		
062	252199-9	HEX. NUT M8-13		1		100		
063	941201-0	FLAT WASHER 8		1		100		
064	345835-5	ANGULAR GUIDE		1		100		

Item	Parts No.	Description	I/C	QTY	N/O	Opt. 1	Opt. 2	NOTE
065B	256480-0	SHOULDER PIN 6-7		1	*	100		
065-1A	256511-5	SHOULDER PIN 6-7		1		100		
065-1B	256511-5	SHOULDER PIN 6-7	<	1		100		
065-1C	256511-5	SHOULDER PIN 6-7		1		100		
065-1D	256511-5	SHOULDER PIN 6-7		1		100		
066	257759-2	SLEEVE 6		1		100		
067	941101-4	FLAT WASHER 5		1		100		
068	922261-1	HEX. SOCKET HEAD BOLT M5X40		1		100		
069	266396-1	FLATHEAD SQUARENECKBOLT M8X24		1		100		
070	331719-3	PIPE 9		1		100		
071	345833-9	DEPTH GUIDE		1		100		
072B	256480-0	SHOULDER PIN 6-7		1	*	100		
072-1A	256511-5	SHOULDER PIN 6-7		1		100		
072-1B	256511-5	SHOULDER PIN 6-7	<	1		100		
072-1C	256511-5	SHOULDER PIN 6-7		1		100		
072-1D	256511-5	SHOULDER PIN 6-7		1		100		
073	266237-1	CAP SQUARE NECK BOLT M8X90		1		100		
074	266229-0	H.S.SET SCREW(CUP POINT)M5X8		1		100		
075	158423-7	BASE COMPLETE		1		100		
C10	816894-1	SCALE PLATE		1		100		
076	266229-0	H.S.SET SCREW(CUP POINT)M5X8		1		100		
077	251370-2	+ PAN HEAD SCREW M5		1		100		
078	419549-3	DIAL 27		1		100		
079	216008-6	STEEL BALL 4		1		100		
080	233314-4	COMPRESSION SPRING 4		1		100		
081	266229-0	H.S.SET SCREW(CUP POINT)M5X8		1		100		
082	251858-2	DIAL SCREW M6X15		1		100		
083	253811-4	FLAT WASHER 5		1		100		
085	450351-5	SPACER		2		100		
A01	164095-8	GUIDE RULE		1				
A02	783204-6	HEX. WRENCH 6		1				
A03	450079-5	DUST NOZZLE		1				
A04	911223-4	PAN HEAD SCREW M5X16		1		100		
A05	D-29050	T.C.T.SAW BLADE 210X30X24T		1				
A06C	821552-6	CONNECTOR PLASTIC CASE (TYPE4)		1	*			
C10	453974-8	LATCH		4	*	100		
A06D	821552-6	CONNECTOR PLASTIC CASE (TYPE4)		1	*			
C10	453974-8	LATCH		4	*	100		
A06-1C	821552-6	CONNECTOR PLASTIC CASE (TYPE4)	<	1				
C10	453974-8	LATCH		4		100		
A06-1D	821552-6	CONNECTOR PLASTIC CASE (TYPE4)	<	1				
C10	453974-8	LATCH		4		100		
A07C	837657-2	INNER TRAY		1				
A07D	837657-2	INNER TRAY		1				
A08C	800X30-3	5008MGJ INDICATION LABEL		1				
A08D	800X30-3	5008MGJ INDICATION LABEL		1				
A09C	800X31-1	5008MGJ PLASTIC CASE LABEL		2				
A09D	800X31-1	5008MGJ PLASTIC CASE LABEL		2				

