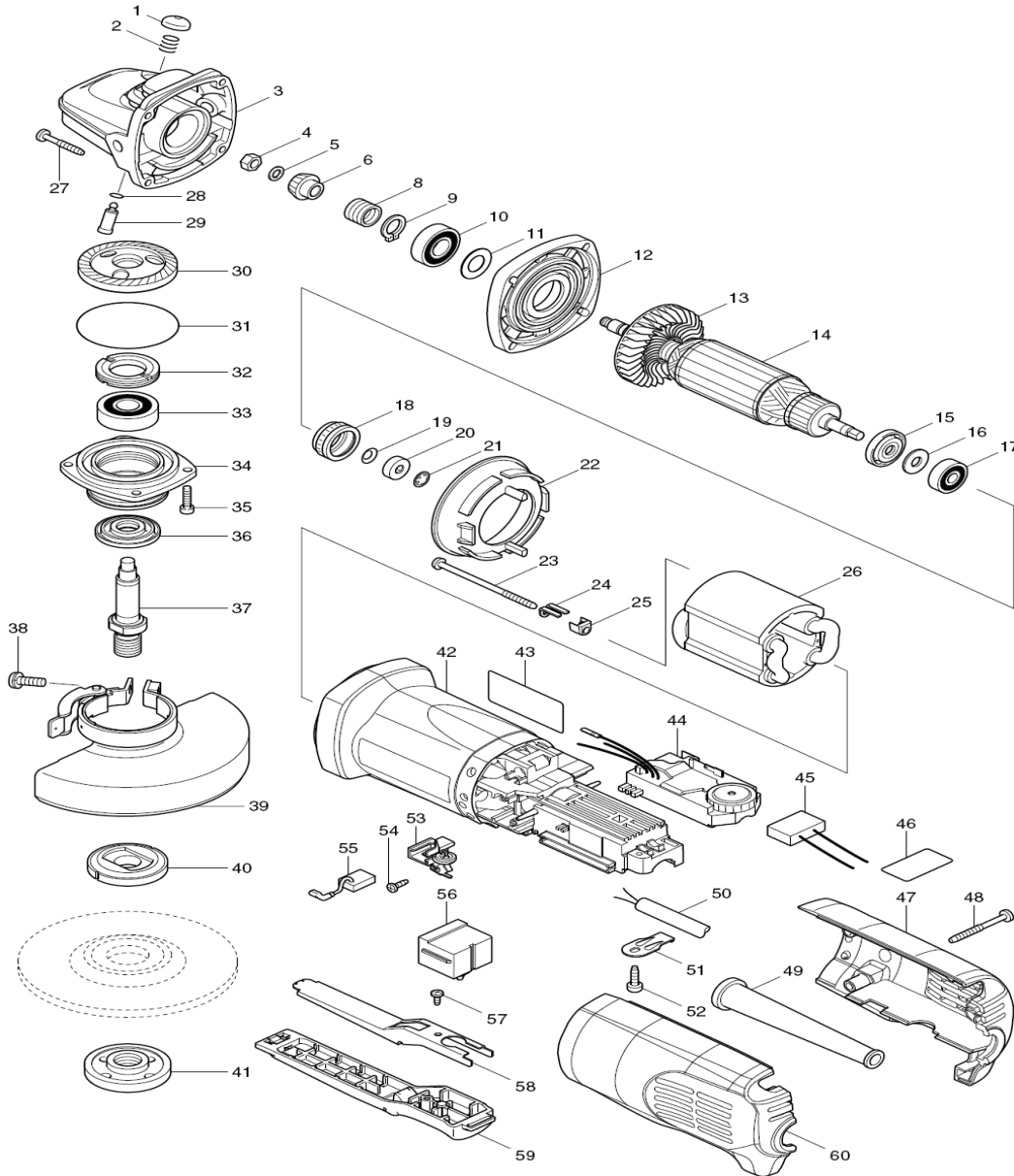


9564PCV



9564PCV
2007/05

| Item | Sub | Sub_Explanation | Parts_No. | Parts_Description | Qty | Unit | Note |
|-------|-----|-----------------|--------------------------------|-------------------|-----|------|------|
| 1 | | 418067-8 | PIN CAP 1 | PC. | | | |
| 2 | | 233072-2 | COMPRESSION SPRING 8 1 | PC. | | | |
| 3 | | 153488-4 | GEAR HOUSING COMPLETE | | 1 | PC. | |
| 4 | | 931303-0 | HEX. NUT M61 | PC. | | | |
| 5 | | 253077-6 | FLAT WASHER 6 | 1 | PC. | | |
| 6 | | 226794-1 | SPIRAL BEVEL GEAR 11 | 1 | PC. | | |
| 8 | | 233901-9 | LOCK SPRING 12 | 1 | PC. | | |
| 9 | | 961052-5 | RETAINING RING S-12 | 1 | PC. | | |
| 10 | | 210105-0 | BALL BEARING 6001LLU | 1 | PC. | | |
| 11 | | 253084-9 | FLAT WASHER 12 | 1 | PC. | | |
| 12 | | 317359-1 | GEAR HOUSING COVER | 1 | PC. | | |
| 13 | | 240033-5 | FAN 57 | 1 | PC. | | |
| 14 | | 515225-8 | ARMATURE ASS'Y 100V | 1 | PC. | 110V | |
| 14 | D10 | INC. 1315-17 | INC. 1315-17 0 | | | | |
| 014A | | 515228-2 | ARMATURE ASS'Y 220-240V | 1 | PC. | 240V | |
| 014A | D10 | INC. 1315-17 | INC. 1315-17 0 | | | | |
| 15 | | 681656-4 | INSULATION WASHER | 1 | PC. | | |
| 16 | | 253823-7 | FLAT WASHER 7 | 1 | PC. | | |
| 17 | | 210027-4 | BALL BEARING 627DDW | 1 | PC. | | |
| 18 | | 421738-8 | LABYRINTH RUBBER RING 22 | 1 | PC. | | |
| 19 | | 267756-0 | WAVE WASHER 6 | 1 | PC. | | |
| 20 | | 688117-5 | MAGNET SLEEVE | 1 | PC. | | |
| 21 | | 259039-2 | SELF LOCK 61 | 1 | PC. | | |
| 22 | | 413076-2 | BAFFLE PLATE | 1 | PC. | | |
| 23 | | 266258-3 | TAPPING SCREW 4X70 | 2 | PC. | | |
| 24 | | 344871-8 | RETAINER 2 | 1 | PC. | | |
| 25 | | 417237-6 | INSULATION COVER | 2 | PC. | | |
| 26 | | 626501-6 | FIELD 115V | 1 | PC. | 110V | |
| 026-1 | | 626596-9 | FIELD 115V | 1 | PC. | 110V | |
| 026A | | 626503-2 | FIELD 220-240V | 1 | PC. | 240V | |
| 026A1 | | 626598-5 | FIELD 220-240V | 1 | PC. | 240V | |
| 27 | | 266257-5 | TAPPING SCREW 4X28 | 4 | PC. | | |
| 28 | | 213048-5 | O RING 6 | 1 | PC. | | |
| 29 | | 256459-1 | PIN | 1 | PC. | | |
| 30 | | 226795-9 | SPIRAL BEVEL GEAR 38 | 1 | PC. | | |
| 31 | | 213673-2 | O RING 52 | 1 | PC. | | |
| 32 | | 285841-7 | BEARING RETAINER | 1 | PC. | | |
| 33 | | 211129-9 | BALL BEARING 6201DDW | 1 | PC. | | |
| 34 | | 317570-5 | BEARING BOX | 1 | PC. | | |
| 35 | | 265490-6 | HEX. SOCKET HEAD BOLT M4X16 | 4 | PC. | | |
| 36 | | 415300-9 | LABYRINTH RING | 1 | PC. | | |
| 37 | | 324035-0 | SPINDLE | 1 | PC. | | |
| 38 | | 251391-4 | PAN HEAD SCREW M5X16 | 1 | PC. | | |
| 39 | | 135107-4 | TOOLLESS WHEEL COVER 115 ASS'Y | 1 | PC. | | |
| 39 | D10 | INC. 38 | INC. 38 0 | | | | |
| 40 | | 224415-9 | INNER FLANGE 42 | 1 | PC. | | |
| 41 | | 224554-5 | LOCK NUT 14-45 | 1 | PC. | | |
| 42 | | 450146-6 | MOTOR HOUSING | 1 | PC. | | |
| 43 | | 864123-6 | 9564PCV NAME PLATE | 1 | PC. | | |
| 44 | | 631788-7 | CONTROLLER | 1 | PC. | 110V | |
| 044A | | 631789-5 | CONTROLLER | 1 | PC. | 240V | |
| 45 | | 645238-6 | NOISE SUPPRESSOR | 1 | PC. | | |
| 46 | | 816902-8 | INDICATION LABEL | 1 | PC. | | |
| 47 | | 188365-1 | REAR COVER SET | 1 | PC. | | |
| 47 | D10 | INC. 60 | INC. 60 0 | | | | |
| 48 | | 266048-4 | TAPPING SCREW 4X40 | 3 | PC. | | |
| 49 | | 682566-8 | CORD GUARD 10 | 1 | PC. | | |
| 50 | | 695217-4 | POWER SUPPLY CORD 1.5-2-2.5 | 1 | PC. | 110V | |
| 050A | | 692527-0 | POWER SUPPLY CORD 1.0-2-2.5 | 1 | PC. | 240V | |
| 51 | | 687169-3 | STRAIN RELIEF | 1 | PC. | | |
| 52 | | 266192-7 | TAPPING SCREW 4X14 | 1 | PC. | | |
| 53 | | 643760-7 | BRUSH HOLDER | 2 | PC. | | |
| 54 | | 266256-7 | TAPPING SCREW PT3X10 4 | 4 | PC. | | |
| 55 | | 191978-9 | A.C. CARBON BRUSH CB-318 | 1 | SET | | |
| 56 | | 650579-7 | SWITCH 1246.3223 | 1 | PC. | | |
| 57 | | 265954-0 | TAPPING SCREW BIND PT3X8 | 1 | PC. | | |
| 58 | | 345504-8 | PLATE | 1 | PC. | | |
| 59 | | 154584-1 | SWITCH LEVER B COMPLETE | 1 | PC. | | |
| 60 | | 188365-1 | REAR COVER SET | 1 | PC. | | |
| 60 | D10 | INC. 47 | INC. 47 0 | | | | |
| A01 | | 153489-2 | GRIP 36 COMPLETE | 1 | PC. | | |
| A01A | | 162258-0 | VIBRATION PROOF GRIP | 1 | PC. | | |
| A02 | | D-18459 | GRINDING WHEEL 115X6 A24R | 1 | PC. | | |
| A03 | | 782423-1 | LOCK NUT WRENCH 35 | 1 | PC. | | |
| E01 | | 655030-2 | PLUG UK TYPE 16A-4H/110V | 1 | PC. | 110V | |
| E02 | | 654091-9 | NON-INSULATED TERMINAL | 2 | PC. | 110V | |