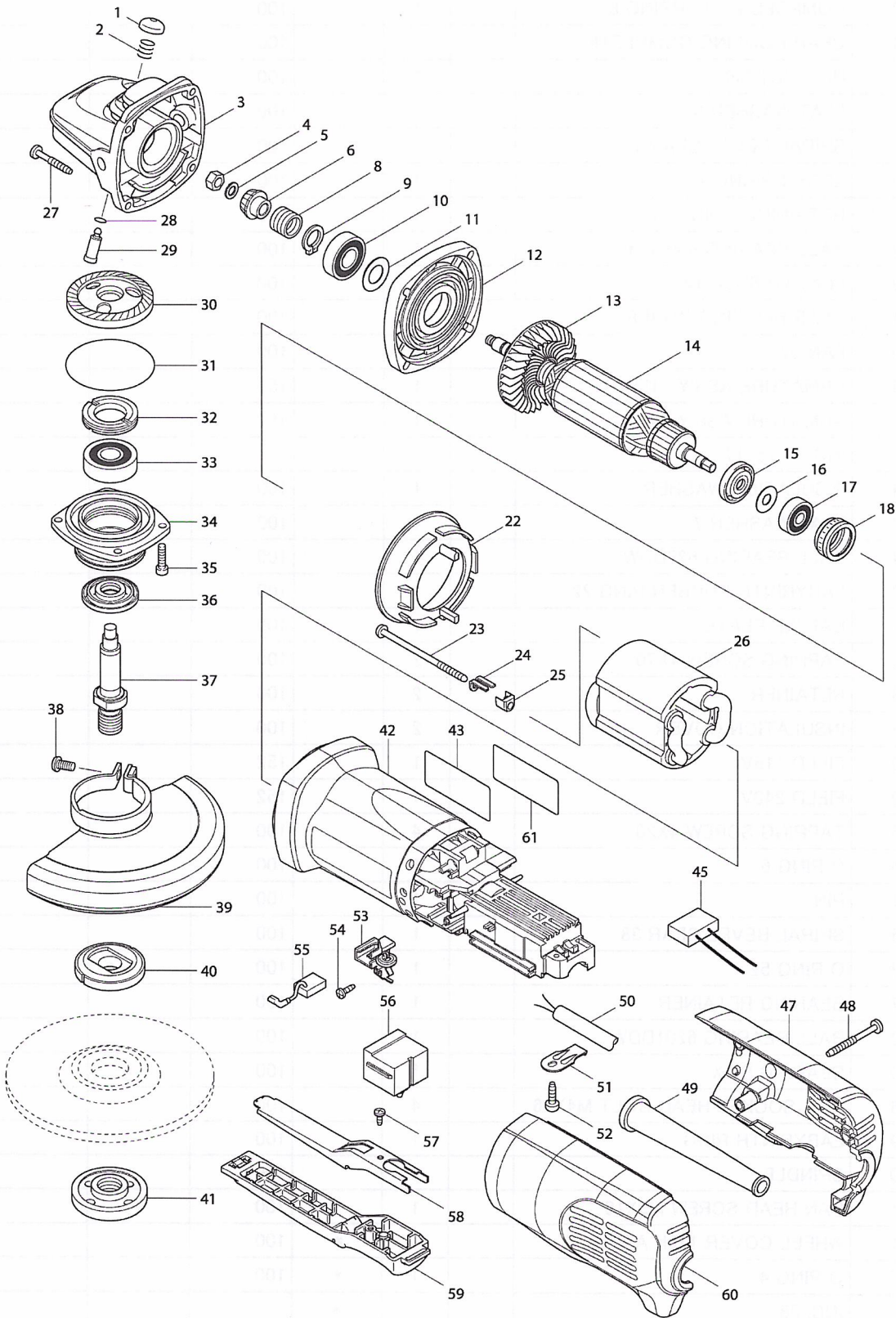


Model No.9565P 125MM ANGLE GRINDER



Model No.9565P 125MM ANGLE GRINDER

Item	Parts No.	Description	I/C	QTY	New/Old	Opt. 1	Opt. 2	NOTE
001	418067-8	PIN CAP		1		100		
002	233072-2	COMPRESSION SPRING 8		1		100		
003	153488-4	GEAR HOUSING COMPLETE		1		100		
004	931303-0	HEX. NUT M6		1		100		
005	253077-6	FLAT WASHER 6		1		100		
006	227513-8	SPIRAL BEVEL GEAR 11		1		100		
008	233901-9	LOCK SPRING 12		1		100		
009	961052-5	RETAINING RING S-12		1		100		
010	211142-7	BALL BEARING 6001LLB		1		100		
011	253084-9	FLAT WASHER 12		1		100		
012	317359-1	GEAR HOUSING COVER		1		100		
013	240033-5	FAN 57		1		100		
014A	515231-3	ARMATURE ASS'Y 115V		1		151		
014B	515234-7	ARMATURE ASS'Y 240V		1		151		
D10		INC. 13,15-17						
015	681656-4	INSULATION WASHER		1		100		
016	253823-7	FLAT WASHER 7		1		100		
017	210027-4	BALL BEARING 627DDW		1		100		
018	421738-8	LABYRINTH RUBBER RING 22		1		100		
022	413076-2	BAFFLE PLATE		1		100		
023	266258-3	TAPPING SCREW 4X70		2		100		
024	344871-8	RETAINER		2		100		
025	417237-6	INSULATION COVER		2		100		
026A	628188-0	FIELD 115V		1		152		
026B	621764-9	FIELD 240V		1		152		
027	266257-5	TAPPING SCREW 4X28		4		100		
028	213048-5	O RING 6		1		100		
029	256459-1	PIN		1		100		
030	227514-6	SPIRAL BEVEL GEAR 38		1		100		
031	213673-2	O RING 52		1		100		
032	285841-7	BEARING RETAINER		1		100		
033	211129-9	BALL BEARING 6201DDW		1		100		
034	318334-0	BEARING BOX		1		100		
035	265490-6	HEX. SOCKET HEAD BOLT M4X16		4		100		
036	415300-9	LABYRINTH RING		1		100		
037	324035-0	SPINDLE		1		100		
038	265180-1	PAN HEAD SCREW M5X16		1		100		
039	122887-1	WHEEL COVER 125K ASSY		1	*	100		
C10	213009-5	O RING 4		1	*	100		
D10		INC. 38			*			
039-1	123099-9	WHEEL COVER 125AK ASSEMBLY	<	1		100		
C10	213009-5	O RING 4		1		100		
D10		INC. 38						
040	224415-9	INNER FLANGE 42		1		100		
041	224554-5	LOCK NUT 14-45		1				

Model No.9565P 125MM ANGLE GRINDER

Item	Parts No.	Description	I/C	QTY	New/Old	Opt. 1	Opt. 2	NOTE
042	450146-6	MOTOR HOUSING		1	*	100		
042-1	455358-6	MOTOR HOUSING	O	1				
043	814F01-6	9565P NAME PLATE		1		100		
045	645238-6	NOISE SUPPRESSOR		1		100		
047	188364-3	REAR COVER SET		1		100		
D10		INC. 60						
048	266048-4	TAPPING SCREW 4X40		3		100		
049	682566-8	CORD GUARD 10		1		100		
050A	695217-4	POWER SUPPLY CORD 1.5-2-2.5		1		100		
050B	692527-0	POWER SUPPLY CORD 1.0-2-2.5		1		100		
051	687169-3	STRAIN RELIEF		1		100		
052	266192-7	TAPPING SCREW 4X14		1		100		
053	643760-7	BRUSH HOLDER		2		100		
054	266256-7	TAPPING SCREW PT3X10		4		100		
055	194074-2	CARBON BRUSH CB-325		1		100		
056	650579-7	SWITCH 1246.3223		1		100		
057	265954-0	TAPPING SCREW BIND PT3X8		1		100		
058	345504-8	PLATE		1		100		
059	154584-1	SWITCH LEVER B COMPLETE		1		100		
060	188364-3	REAR COVER SET		1		100		
D10		INC. 47						
061	819356-8	CLEAR LABEL		1	*	100		
061-1	805W66-1	CLEAR LABEL	O	1	*			
A01	153489-2	GRIP 36 COMPLETE		1				
A02	782423-1	LOCK NUT WRENCH 35		1				
E01A	655030-2	PLUG UK TYPE 16A-4H/110V		1				
E02A	654091-9	NON-INSULATED TERMINAL1.25-2AF		2		100		

Please order the parts with part number.

Print Date 23/10/2019