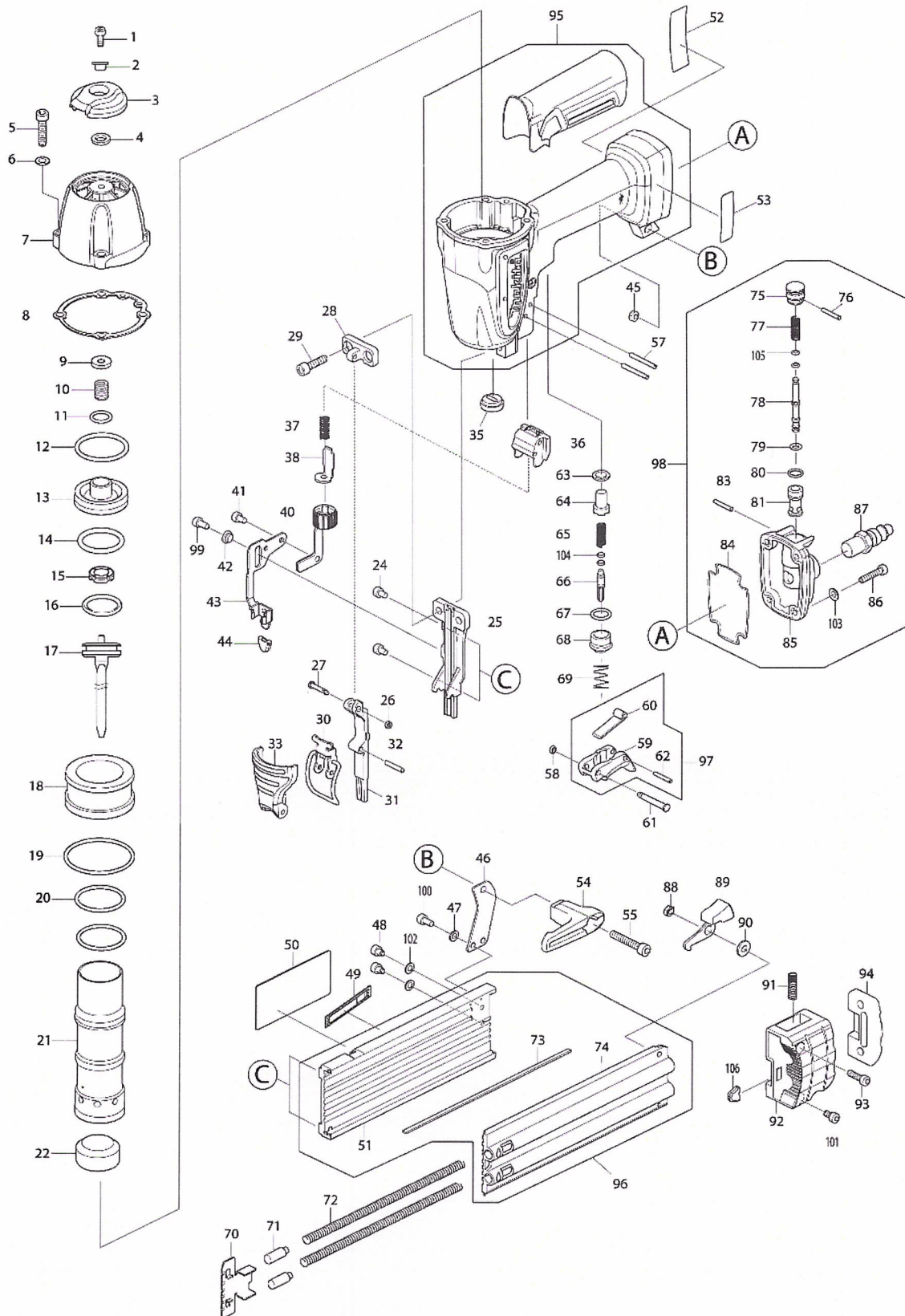


Model No.AF506 PNEUMATIC BRAD NAILER



POS. NO.	PARTS NO.	DESCRIPTION	QTY USED	
001		HY00000001	HEX.SOCKET HEAD BOLT M4X10	1
002		HY00000002	SLEEVE4	1
003		HY00000508	EXHAUSTCOVER	1
004		HY00000004	RUBBER WASHER 7	1
005		HY00000049	HEX.SOCKET HEAD BOLT M5X22	4
006		HY00000160	FLAT WASHER 5	4
007		HY00000511	TOPCAP	1
008		HY00000509	TOPCAPGASKET	1
009		HY00000008	CUSHION V	1
010		HY00000629	COMPRESSIONSPRING7	1
011		HY00000010	O-RING 12	1
012		HY00000011	O-RING 33	1
013		HY00000507	HEADVALVE	1
014		HY00000408	ORING26.5	1
015		HY00000014	CUSHION P	1
016		HY00000400	ORING22.5	1
017		HY00000911	DRIVER COMPLETE	1
018		HY00000912	CYLINDER SEPARATER	1
019		HY00000016	O-RING 46	1
020		HY00000409	ORING30.5	2
021		HY00000913	CYLINDER	1
022		HY00000546	FRONTCUSHION	1
024		HY00000074	HEX.SOCKET HEAD BOLT M4X8	2
025		HY00000914	DRIVER GUIDE	1
026		HY00000043	RUBBER RING 2	1
027		HY00000915	COVER PLATE PIN	1
028		HY00000916	PLATE	1
029		HY00000005	HEX.SOCKET HEAD BOLT M5X20	2
030		HY00000917	LATCH	1
031		HY00000918	DOOR	1
032		HY00000531	SPRINGPIN3-22	1
033		HY00000919	LATCH COVER	1
035		HY00000023	FRONT SEAL	1
036		HY00000506	HOLDER	1
037		HY00000421	COMPRESSIONSPRING5	1
038		HY00000444	UPPERYOKE	1
040		HY00000950	CONTACT ARM COMPLETE	1
041		HY00000649	HEX.SOCKETHEADBOLTM4X4	1
042		HY00000633	BUSH	1
043		HY00000923	CONTACT TOP	1
044		HY00000378	NOSE ADAPTER (2PCS)	1
	D10		INC. 106	
045		HY00000924	HEX. LOCK NUT M5	1
046		HY00000925	JOINT	1
047		HY00000070	FLAT WASHER4	1

048		HY00000926	HEX. SOCKET HEAD BOLT M4X6	2
049		HY00000927	SENSORMATIC CHIP	1
050		HY00000928	CAUTION LABEL1	1
051		HY00000929	MAGAZINE	1
052		HY00000930	AF506 NAME PLATE	1
053		HY00000931	CAUTION LABEL2	1
054		HY00000062	HOOK	1
055		HY00000156	HEX.SOCKET HEAD BOLT M5X25	1
057		HY00000024	SPRING PIN 3-26	2
058		HY00000037	O-RING 3	1
059		HY00000436	TRIGGER	1
060		HY00000932	IDLER	1
061		HY00000933	PIN4	1
062		HY00000114	SPRING PIN 2.5-16	1
063		HY00000033	RUBBER RING 8	1
064		HY00000034	TRIGGER VALVE GUIDE	1
065		HY00000035	COMPRESSION SPRING 4	1
066		HY00000934	TRIGGER VALVE STEM	1
067		HY00000039	O-RING 11	1
068		HY00000038	TRIGGER VALVE CASE	1
069		HY00000040	COMPRESSION SPRING 10	1
070		HY00000935	PUSHER	1
071		HY00000936	PIN7	2
072		HY00000059	COMPRESSION SPRING 6	2
073		HY00000937	MAGAZINE RAIL	1
074		HY00000938	SLIDE DOOR	1
075		HY00000573	DUSTERBUTTON	1
076		HY00000046	PIN 2-10	1
077		HY00000589	COMPRESSIONSPRING5	1
078		HY00000513	VALVESTEM	1
079		HY00000397	ORING5	1
080		HY00000399	ORING8.5	1
081		HY00000599	VALVEGUIDE	1
083		HY00000054	SPRING PIN 2.5-18	1
084		HY00000580	SEALRING	1
085		HY00000499	INLET CAP	1
086		HY00000650	HEX.SOCKETHEADBOLTM4X20	4
087		HY00000080	ONE TOUCH JOINT	1
088		HY00000159	HEX. LOCK NUT M4	1
089		HY00000941	LOCK LEVER	1
090		HY00000942	SLEEVE4	1
091		HY00000943	COMPRESSION SPRING 5	1
092		HY00000944	SLIDE DOOR CAP	1
093		HY00000647	HEX.SOCKETHEADBOLTM4X12	1
094		HY00000945	CAP BUMPER	1
095		HY00000946	HOUSING COMPLETE	1

096		HY00000947	MAGAZINE ASSEMBLY	1
	D10		INC. 51,73,74	
097		HY00000948	TRIGGER ASSEMBLY	1
	D10		INC. 59,60,62	
098		HY00000494	AIRDUSTERCOMPLETE	1
	D10		INC. 75-81,83-87,103,105	
099		HY00000074	HEX.SOCKET HEAD BOLT M4X8	1
100		HY00000074	HEX.SOCKET HEAD BOLT M4X8	2
101		HY00000074	HEX.SOCKET HEAD BOLT M4X8	1
102		HY00000070	FLAT WASHER4	2
103		HY00000070	FLAT WASHER4	4
104		HY00000037	O-RING 3	2
105		HY00000037	O-RING 3	2
106		HY00000378	NOSE ADAPTER (2PCS)	1
	D10		INC. 44	
A01		HY00000951	SAFETY GOGGLE	1
A02-1		181434-7	OIL SUPPLY 30CC	1
A04		HY00001107	PLASTIC CASE	1