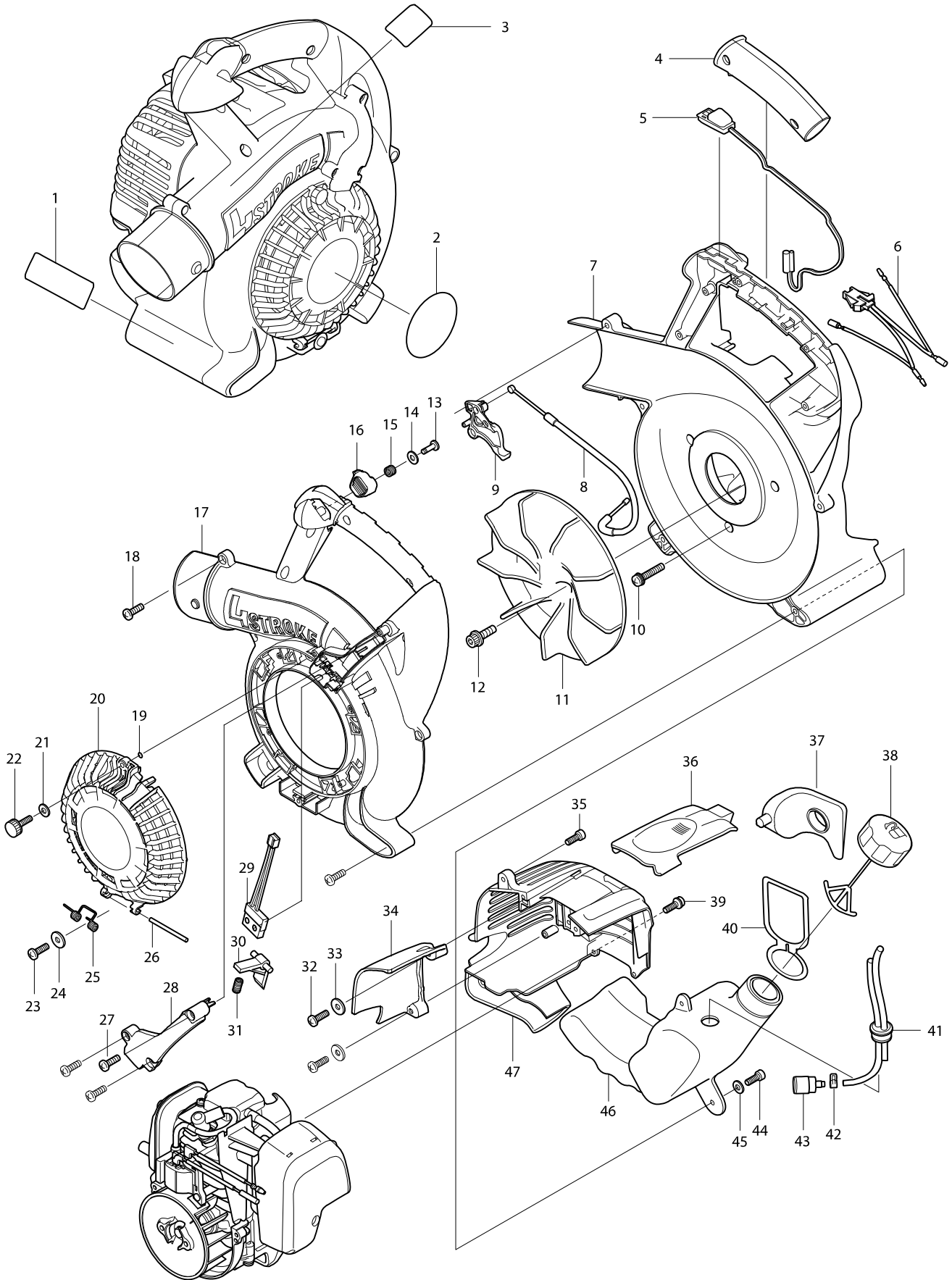
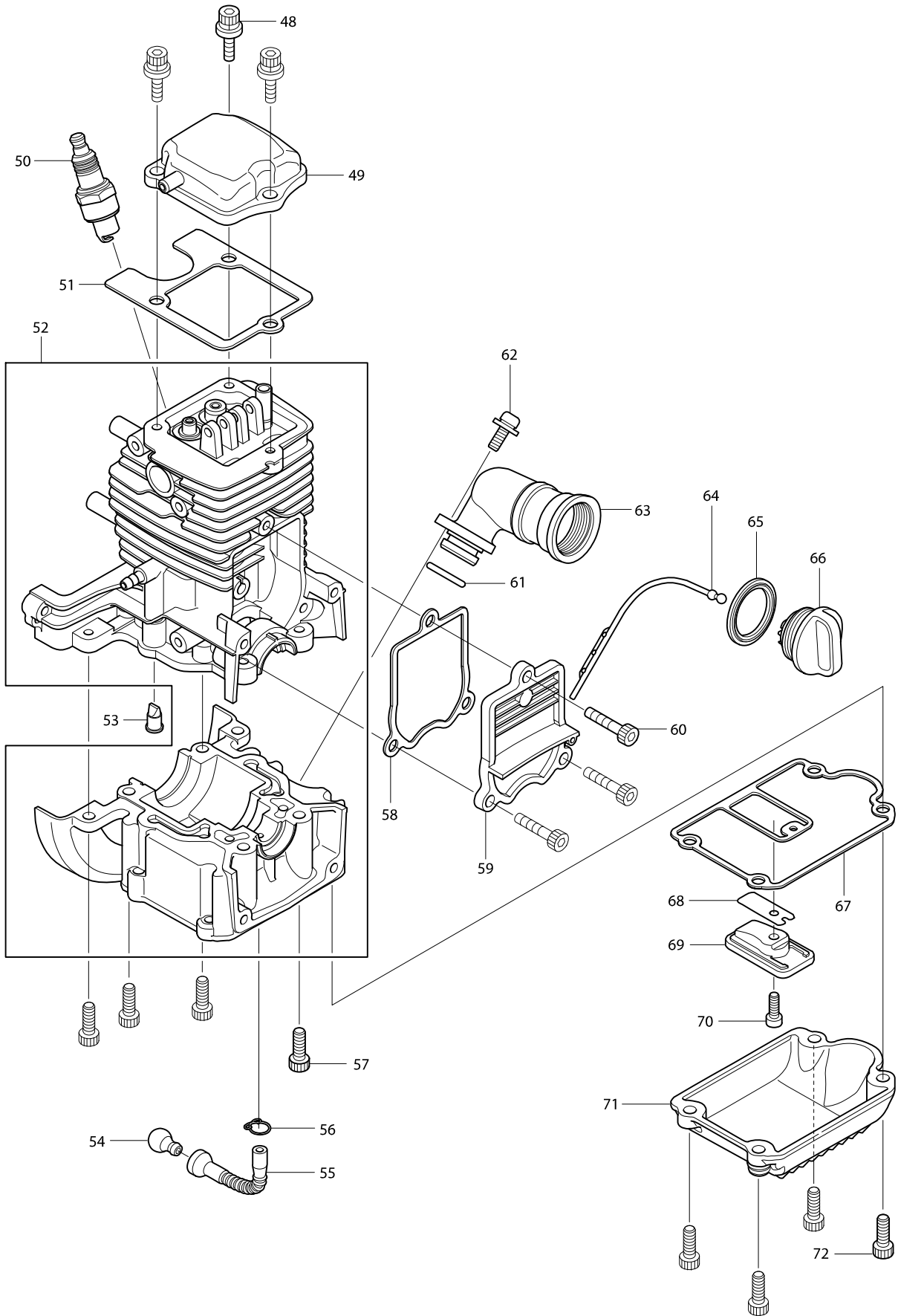


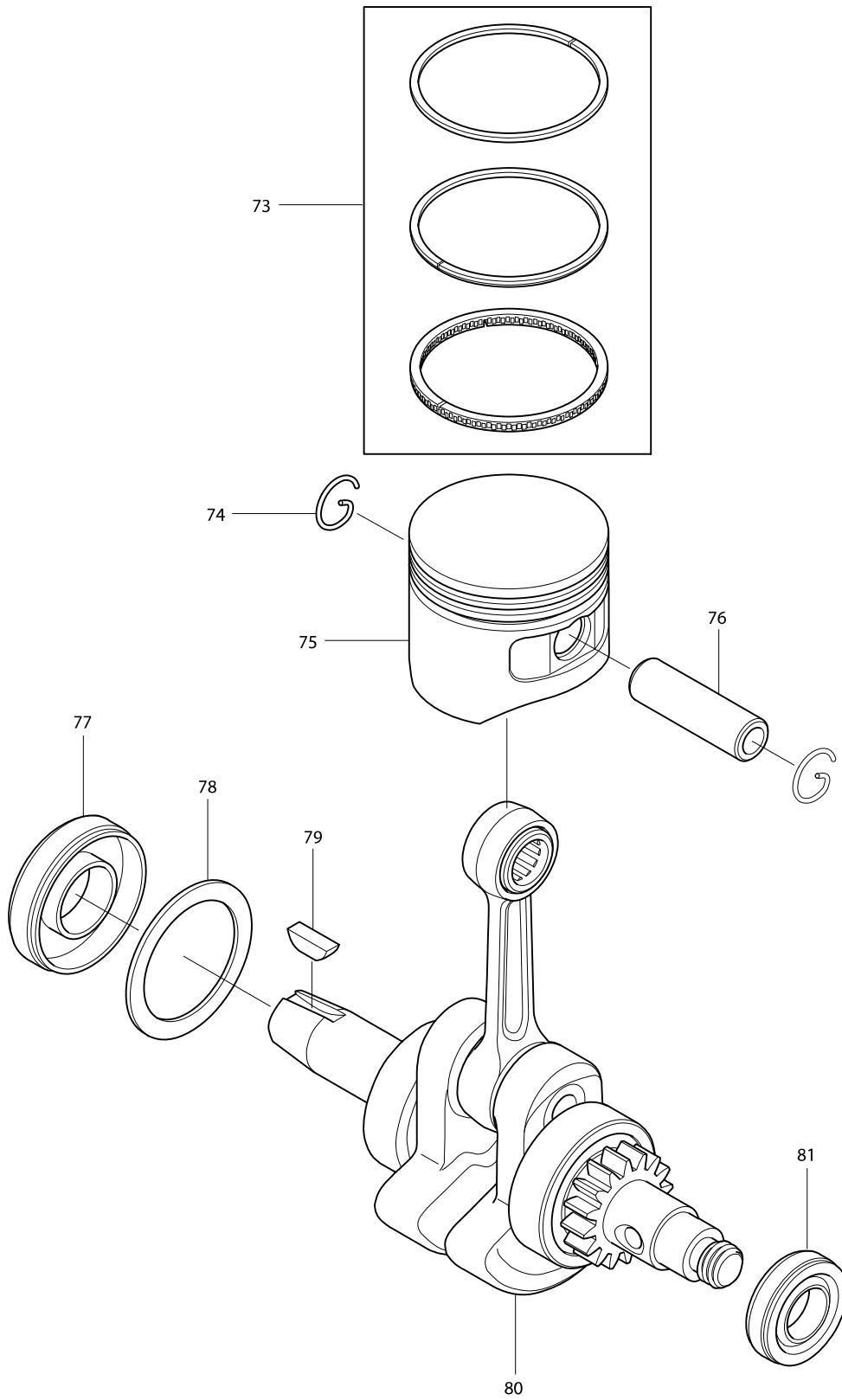
Model No. BHX2501 ENGINE BLOWER



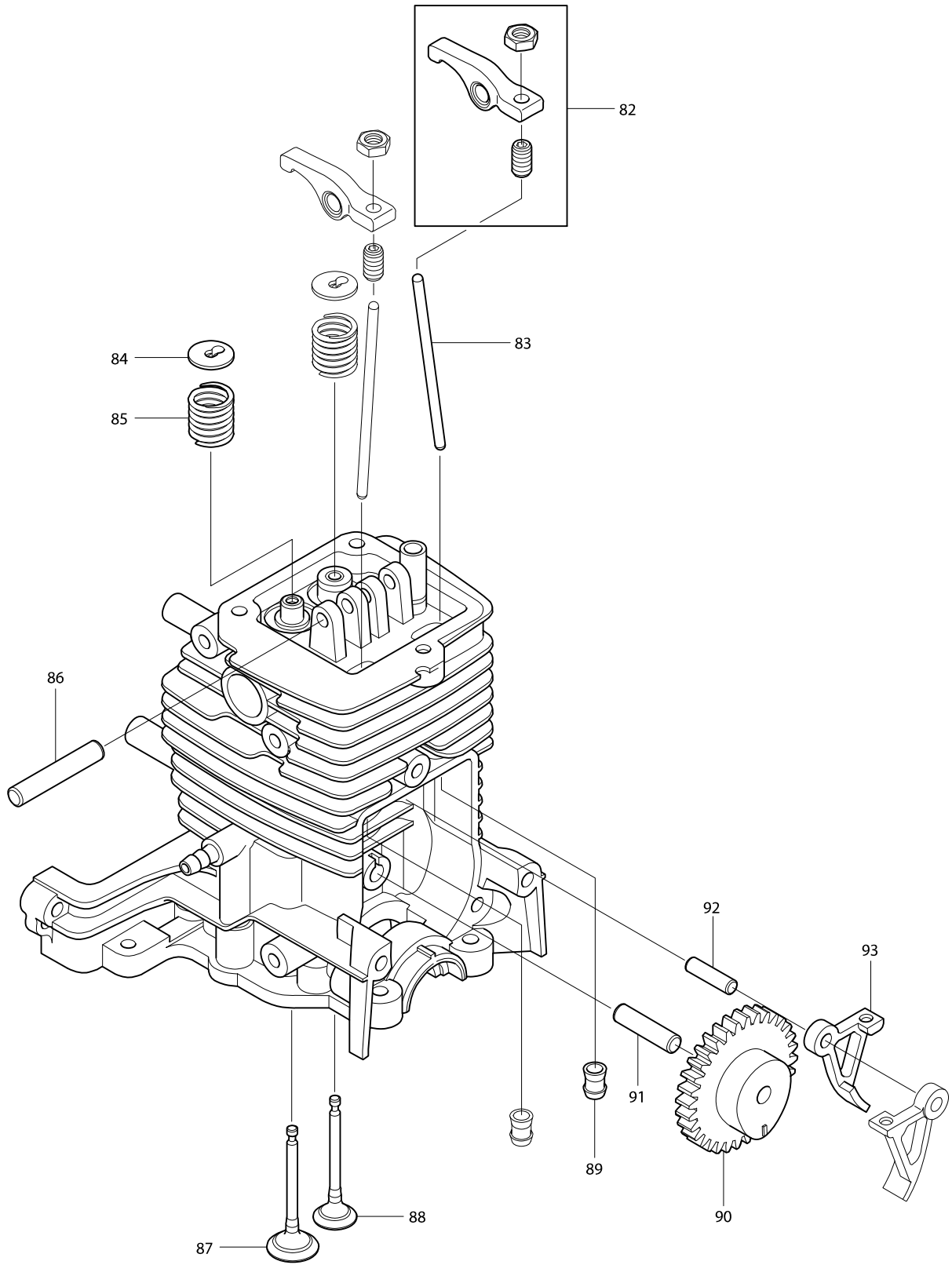
Model No. BHX2501 ENGINE BLOWER



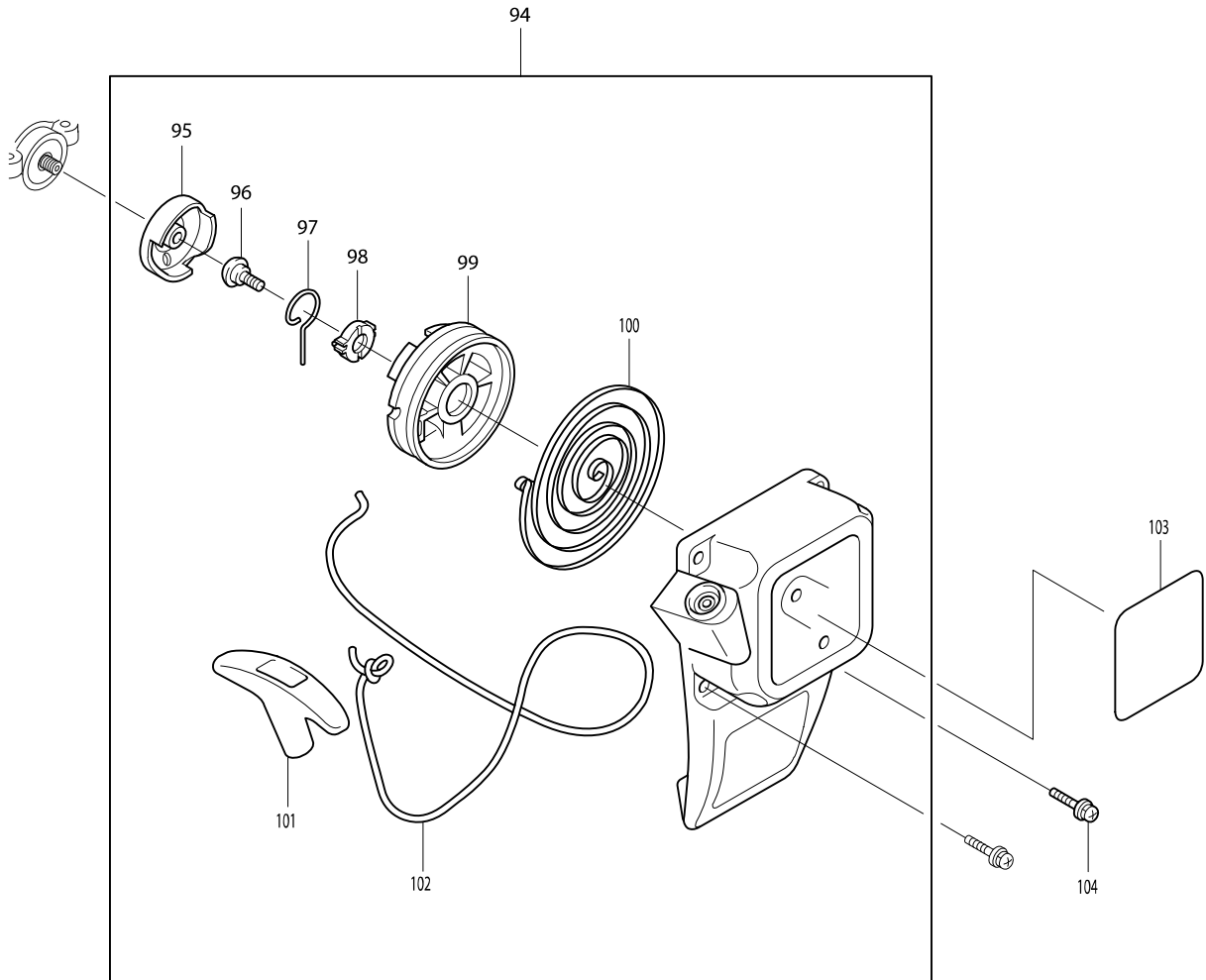
Model No. BHX2501 ENGINE BLOWER



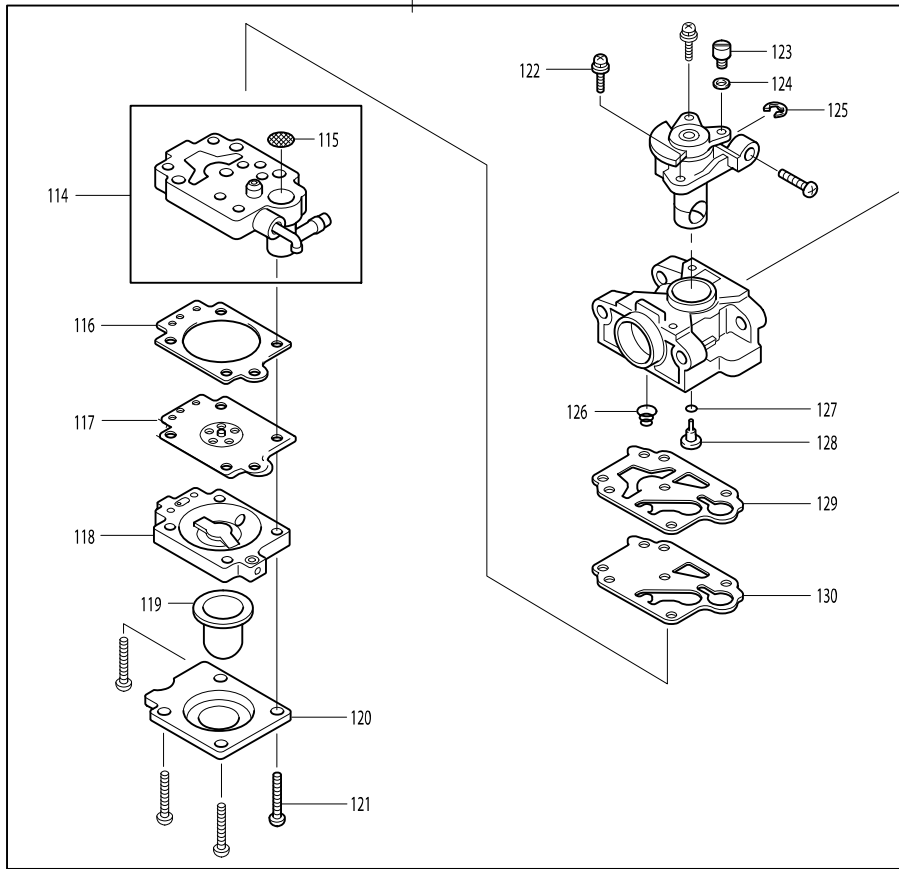
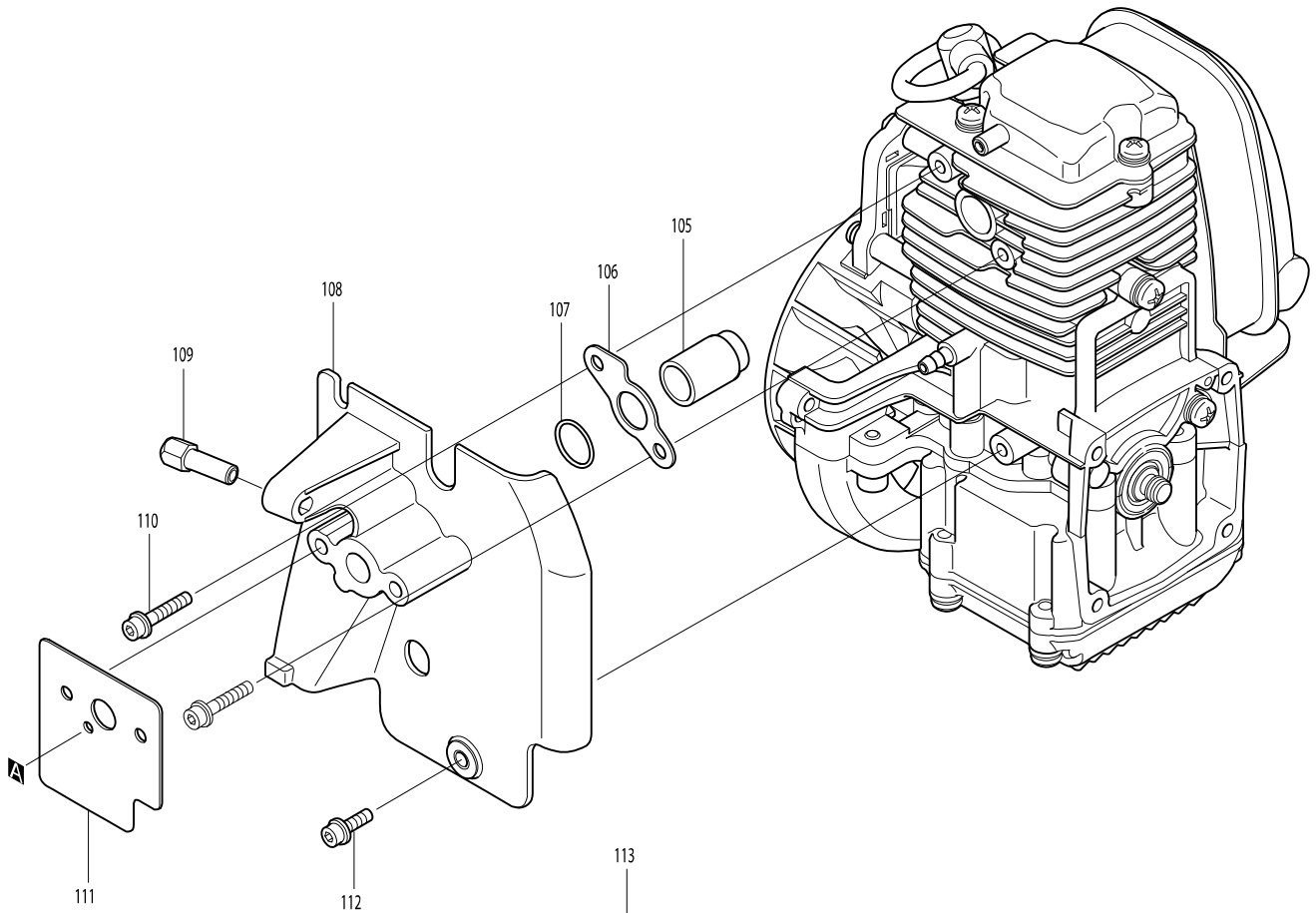
Model No. BHX2501 ENGINE BLOWER



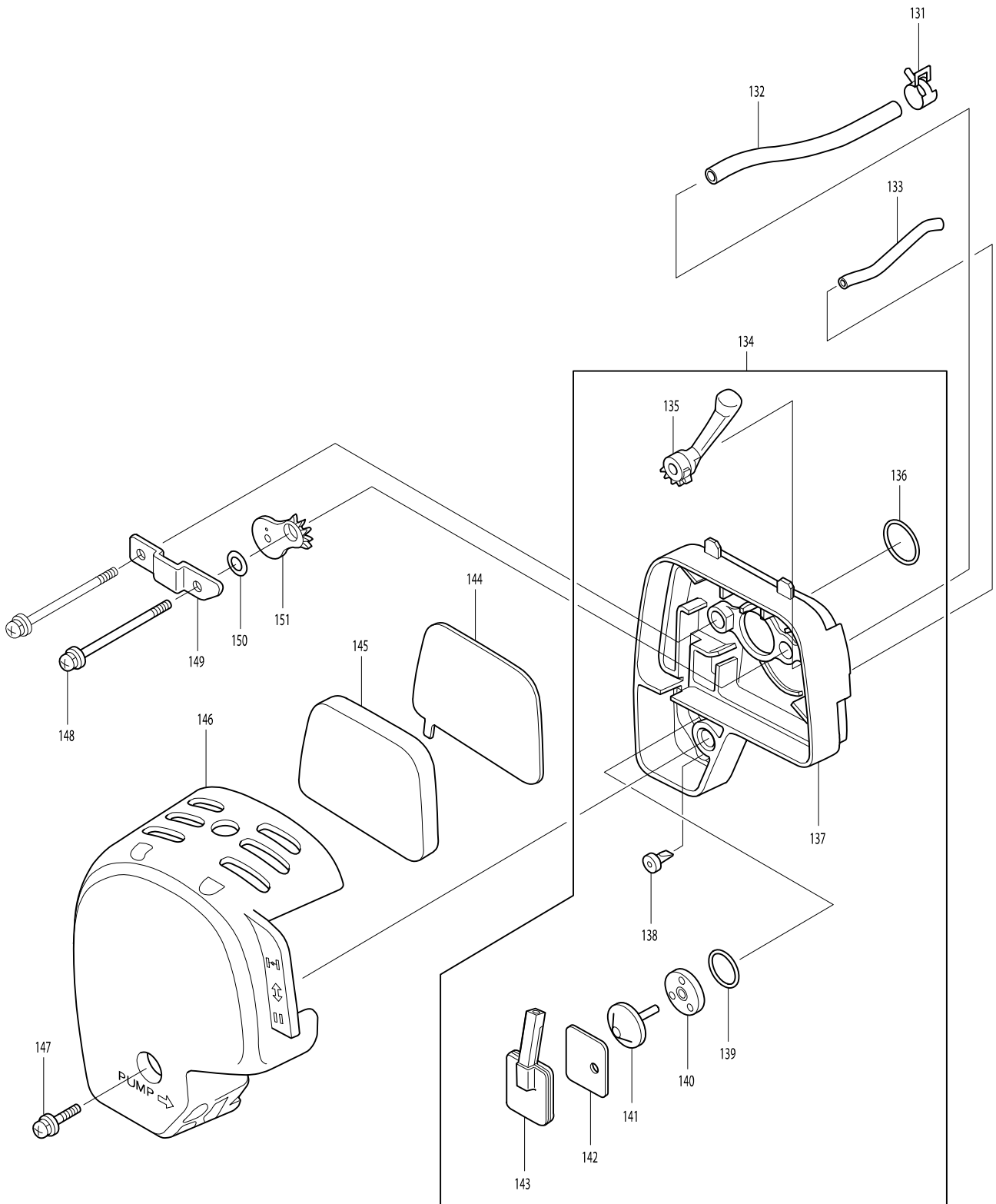
Model No. BHX2501 ENGINE BLOWER



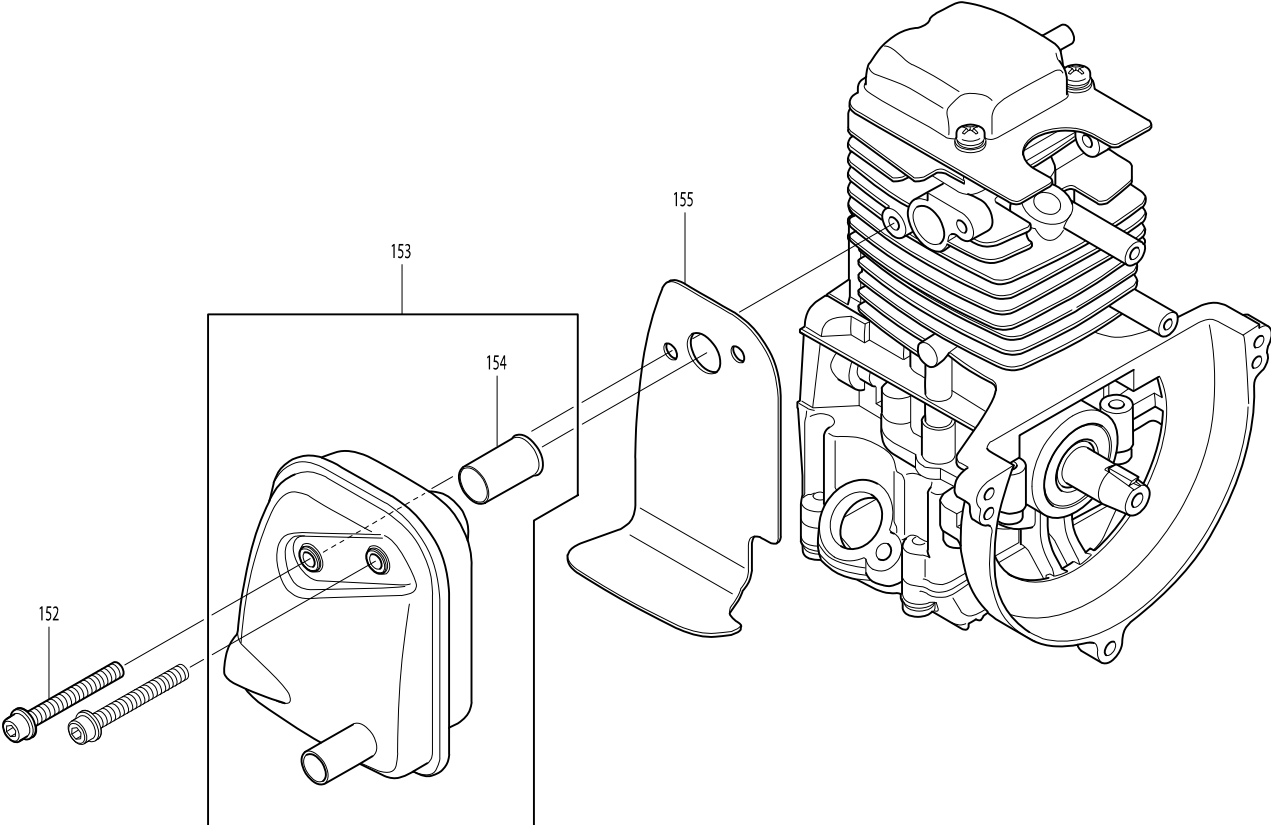
Model No. BHX2501 ENGINE BLOWER



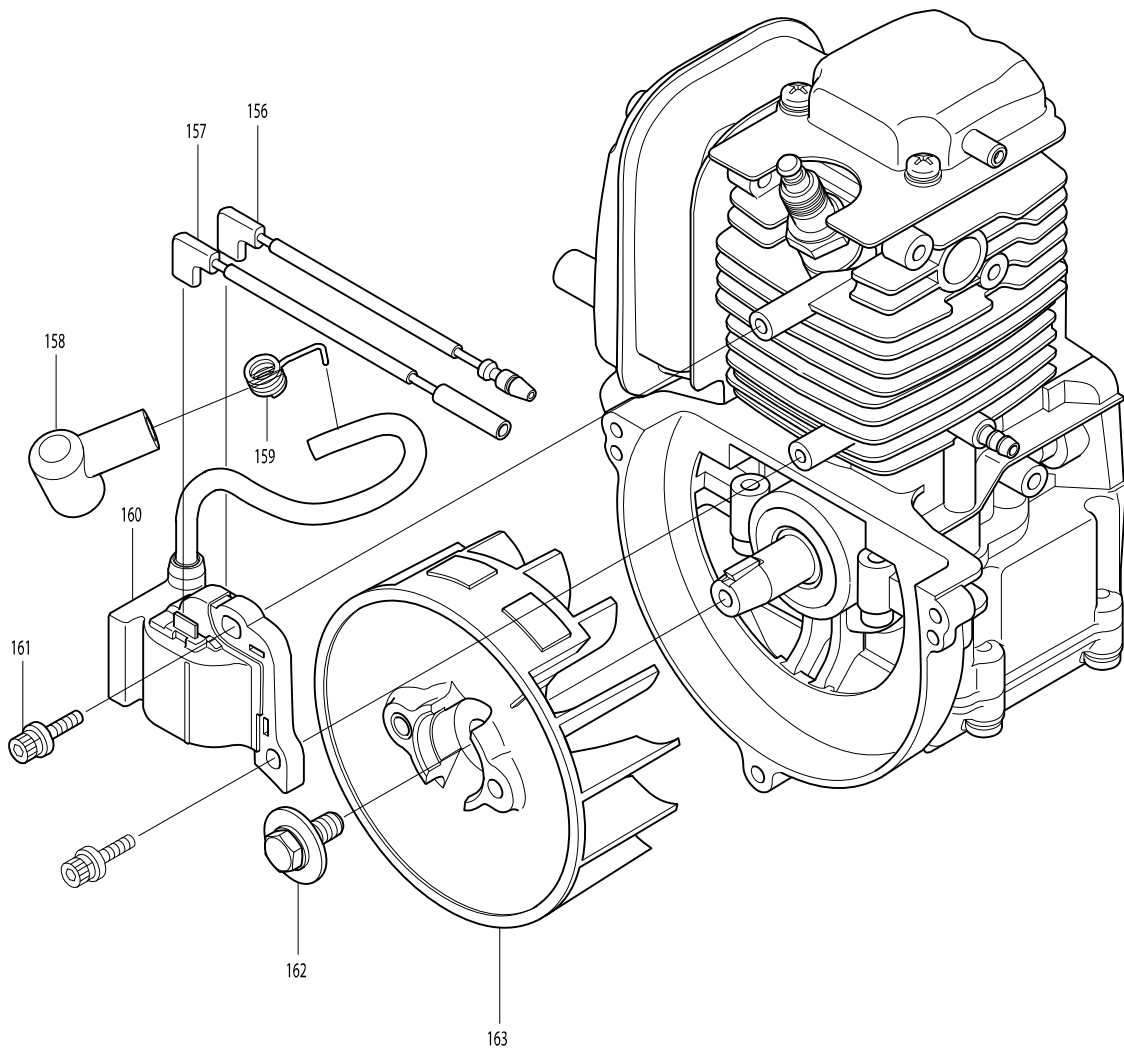
Model No. BHX2501 ENGINE BLOWER



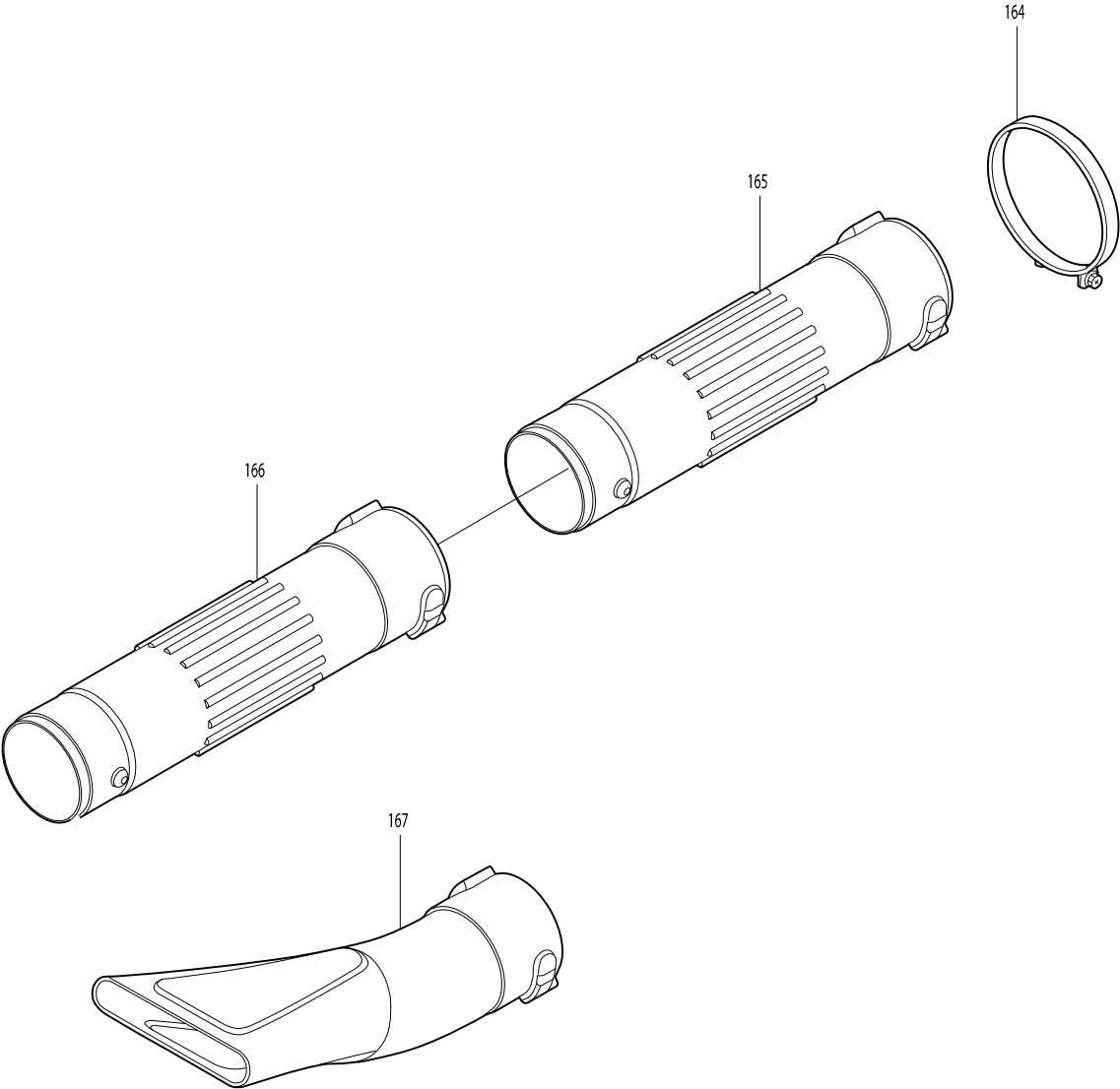
Model No. BHX2501 ENGINE BLOWER



Model No. BHX2501 ENGINE BLOWER



Model No. BHX2501 ENGINE BLOWER



Model No. BHX2501 ENGINE BLOWER

Item	Parts No.	Description	I/C	QTY	N/O	Opt. 1	Opt. 2	NOTE
001	892460-8	CAUTION LABEL		1		154		
002	892426-8	BHX2501 MODEL NO.LABEL		1		100		
003	810450-9	CAUTION LABEL		1		100		
004	273665-3	GRIP		1		100		
005	638640-0	SWITCH COMPLETE		1		100		
006	638758-7	LEAD UNIT		1		100		
007	450958-7	VOLUTE CASE R		1	*	100		
007-1	455202-7	VOLUTE CASE R	S	1				
008	168518-8	CONTROL CABLE		1		100		
009	452607-2	THROTTLE LEVER		1	*	100		
009-1	456960-8	THROTTLE LEVER	S	1				
010	911253-5	PAN HEAD SCREW M5X30		3	*	100		
010-1	922253-0	H.S.H.BOLT M5X30 WITH WR	<	3		100		
011	240113-7	FAN 180		1		100		
012	265584-7	HEX SOCKET HEAD BOLT M6X20 WR		2		100		
013	265878-0	TAPPING SCREW BT 5X16		1		100		
014	253874-0	FLAT WASHER 4		1		100		
015	231025-5	COMPRESSION SPRING 8		1		100		
016	452608-0	LOCK BUTTON		1		100		
017	125921-6	VOLUTE CASE L ASSEMBLY		1	*	100		
017-1	123708-0	VOLUTE CASE L ASSEMBLY	S	1				
018	265878-0	TAPPING SCREW BT 5X16		10		100		
019	213022-3	O RING 3		1		100		
020	452604-8	PROTECTOR		1		100		
021	424180-2	GASKET		1		100		
022	265782-3	THUMB SCREW M4		1		100		
023	265878-0	TAPPING SCREW BT 5X16		1		100		
024	267394-8	FLAT WASHER 5		1		100		
025	233536-6	TORSION SPRING 5		1		100		
026	268230-1	ROD 4		1		100		
027	265878-0	TAPPING SCREW BT 5X16		3		100		
028	452606-4	SWITCH COVER		1		100		
029	638759-5	SWITCH UNIT		1		100		
030	452609-8	SWITCH LEVER		1		100		
031	233133-8	COMPRESSION SPRING 4		1		155		
032	265878-0	TAPPING SCREW BT 5X16		2		100		
033	941051-3	FLAT WASHER 4		2		100		
034	452605-6	INNER COVER		1		100		
035	265878-0	TAPPING SCREW BT 5X16		3		100		
036	450964-2	PLUG COVER		1		100		
037	424395-1	OIL GUARD		1		100		
038	125472-9	FUEL TANK CAP ASSEMBLY		1		154		
039	911128-8	P.H.SCREW M4X16 WITH WR		2	*	100		
039-1	911526-6	P.H.SCREW M4X16 WITH WRM	<	2		100		
040	810455-9	CAUTION PLATE		1		154		
041	158911-4	TUBE COMPLETE		1		100		
042	345920-4	HOSE CLAMP		1		154		
043	163447-0	FUEL FILTER		1	*	154		

Model No. BHX2501 ENGINE BLOWER

Item	Parts No.	Description	I/C	QTY	N/O	Opt. 1	Opt. 2	NOTE
043-1	163447-0	FUEL FILTER	O	1		154		
044	265878-0	TAPPING SCREW BT 5X16		3		100		
045	267394-8	FLAT WASHER 5		3		100		
046	450988-8	FUEL TANK		1		100		
047	452630-7	ENGINE COVER		1		100		
048	922223-9	H.S.H.BOLT M5X16 WITH WR		3		100		
049	140023-7	ROCKER COVER COMPLETE		1		154		
050	168401-9	SPARK PLUG		1		100		
051	162275-0	ROCKER COVER GASKET		1		154		
052	125914-3	CYLINDER BLOCK SET		1		100		
053	424201-0	CHECK VALVE		2		154		
054	325666-8	OIL WEIGHT		1		154		
055	424202-8	OIL TUBE		1		154		
056	282020-8	HOSE CLAMP		1		154		
057	922217-4	HEX. SOCKET HEAD BOLT M5X14		8		100		
058	162274-2	CAM GEAR COVER GASKET		1		154		
059	318443-5	CAM GEAR COVER		1		154		
060	922217-4	HEX. SOCKET HEAD BOLT M5X14		3		100		
061	213591-4	O RING 14		1		100		
062	922213-2	H.S.H.BOLT M5X12 WITH WR		1		100		
063	140813-8	OIL PIPE COMPLETE		1		100		
064	452610-3	OIL GAUGE		1		100		
065	424343-0	GASKET		1		100		
066	452047-4	OIL CAP		1		100		
067	162276-8	CASE GASKET		1		154		
068	346083-9	LEAD VALVE		1		154		
069	318440-1	RETAINER PLATE		1		154		
070	922112-8	HEX. SOCKET HEAD BOLT M4X10		1		100		
071	318442-7	OIL CASE		1		154		
072	922217-4	HEX. SOCKET HEAD BOLT M5X14		4		100		
073	195145-8	PISTON RING SET		1	*	154		
073-1	196595-0	PISTON RING SET	O	1				
074	233976-8	CLIP		2		154		
075	318441-9	PISTON		1	*	100		
075-1	197453-3	PISTON SET	<	1				
C10	318441-9	PISTON		1		100		
D10		INC. 73,74						
076	257781-9	PISTON PIN		1		100		
077	213147-3	OIL SEAL 12		1	*	100		
077-1	213089-1	OIL SEAL 12	<	1				
078	267400-9	FLAT WASHER 23		1		100		
079	254040-2	WOODRUFF KEY 3		1		100		
080	188608-1	CRANKSHAFT ASSEMBLY		1	*	100		
080-1	135374-1	CRANKSHAFT ASSEMBLY	O	1	*	154		
080-2	135539-5	CRANKSHAFT ASSEMBLY	O	1		154		
081	213148-1	OIL SEAL 10		1	*	100		
081-1	213769-9	OIL SEAL 10	O	1		100		
082	125554-7	ROCKER ARM ASSEMBLY		2		100		

Model No. BHX2501 ENGINE BLOWER

Item	Parts No.	Description	I/C	QTY	N/O	Opt. 1	Opt. 2	NOTE
083	256865-0	ROD 2.5		2		154		
084	325668-4	SPRING RETAINER		2		154		
085	234108-0	COMPRESSION SPRING 9		2		154		
086	256200-2	PIN 5		1		100		
087	325670-7	INTAKE VALVE		1	*	154		
087-1	326367-1	INTAKE VALVE	O	1				
088	325669-2	EXHAUST VALVE		1	*	154		
088-1	326366-3	EXHAUST VALVE	O	1				
089	424200-2	SPACER		2		154		
090	125552-1	CAM GEAR ASSEMBLY		1		100		
091	268238-5	PIN 5		1		100		
092	268239-3	PIN 4		1		100		
093	313169-4	CAM LIFTER		2		154		
094	125917-7	STARTER COVER ASSY		1		100		
D10		INC. 95-102						
095	168483-1	PULLEY		1		100		
096	266585-8	TAPPING SCREW 5X12		1		154		
097	325923-4	SWING ARM		1		100		
098	451938-6	COLLAR		1		100		
099	451937-8	REEL		1		100		
100	232258-5	SPIRAL SPRING		1		154		
101	424319-7	STARTER KNOB		1		154		
102	444019-3	STARTER ROPE		1		100		
103	893304-5	MAKITA LOGO LABEL		1	*	100		
103-1	809M04-5	MAKITA LOGO LABEL	<	1				
104	911128-8	P.H.SCREW M4X16 WITH WR		2	*	100		
104-1	911526-6	P.H.SCREW M4X16 WITH WRM	<	2		100		
105	324961-3	INTAKE PIPE		1		154		
106	413120-5	INSULATOR GASKET		1		154		
107	213078-6	O-RING 10		1		100		
108	125916-9	INSULATOR ASSY		1		100		
109	266643-0	ADJUST SCREW		1	*	100		
109-1	325934-9	ADJUST SCREW	O	1		154		
110	922228-9	H.S.H.BOLT M5X18 WITH WR		2		100		
111	413138-6	CARBURETOR GASKET		1		100		
112	922213-2	H.S.H.BOLT M5X12 WITH WR		1		100		
113	168641-9	CARBURETOR		1		100		
D10		INC. 114-130						
114	140808-1	BODY PUMP ASSY		1		100		
D10		INC. 115						
115	352010-6	INLET SCREEN		1	*	154		
115-1	WJ00014070	INLET SCREEN	O	1		154		
116	442154-1	METERING DIAPHRAGM GASKET		1		154		
117	168620-7	METERING DIAPHRAGM		1		100		
118	140438-8	AIR PURGE BODY		1		154		
119	424314-7	PRIMER PUMP		1		154		
120	346270-0	PRIMER PUMP COVER		1		154		
121	266582-4	TAPPING SCREW 3X24		4		100		

Model No. BHX2501 ENGINE BLOWER

Item	Parts No.	Description	I/C	QTY	N/O	Opt. 1	Opt. 2	NOTE
122	266581-6	PAN HEAD SCREW M3X8 WITH W		2	*	100		
122-1	WJ00096364	SCREW M3X8 WITH WASHER	O	2		154		
123	325922-6	SWIVEL		1		154		
124	413140-9	WASHER		1		100		
125	257964-1	STOP RING E-3		1		154		
126	234183-6	CONICAL COMPRESSION SPRING 5-9		1		154		
127	213538-8	O RING 2		1		154		
128	326027-5	JET		1		100		
129	442155-9	PUMP GASKET		1		154		
130	168575-6	PUMP DIAPHRAGM		1	*	154		
130-1	WJ00009599	PUMP DIAPHRAGM	O	1		154		
131	345918-1	HOSE CLAMP		1		154		
132	422041-0	BREATHER PIPE		1		154		
133	422070-3	PIPE		1		100		
134	125468-0	CLEANER PLATE ASSEMBLY		1		154		
D10		INC. 135-143						
135	451925-5	CHOKE LEVER		1		154		
136	213540-1	O RING 15		1		154		
137	140814-6	AIR CLEANER PLATE COMPLETE		1		100		
138	424316-3	CHECK VALVE		1		154		
139	213539-6	O RING 14		1		154		
140	451924-7	CHECK VALVE PLATE		1		154		
141	424315-5	CHECK VALVE		1		154		
142	168577-2	SEPARATOR GASKET		1		154		
143	168576-4	SEPARATOR PLATE		1		154		
144	443140-5	AIR CLEANER ELEMENT		1		154		
145	443141-3	AIR CLEANER ELEMENT		1		154		
146	450561-4	AIR CLEANER COVER		1		154		
147	266470-5	+PAN HEAD SCREW M5X14		1	*	100		
147-1	911218-7	PAN HEAD SCREW M5X14	O	1		100		
148	265188-5	+PAN HEAD SCREW M5X68		2		100		
149	345919-9	PLATE		1		154		
150	423376-2	GASKET		1		154		
151	450560-6	CHOKE PLATE		1		154		
152	266440-4	HEX SOCKET HEAD BOLT M5X40		2		100		
153	168643-5	MUFFLER,EXHAUST		1		100		
D10		INC. 154						
154	324980-9	SPARK ARRESTER		1		154		
155	168593-4	MUFFLER GASKET		1		100		
156	638709-0	LEAD WIRE		1	*	100		
156-1	632F44-4	LEAD UNIT	S	1				
157	638710-5	LEAD WIRE		1	*	100		
157-1	632F45-2	LEAD UNIT	S	1				
158	424105-6	PLUG CAP		1		154		
159	324891-8	PLUG CAP SPRING		1		100		
160	168501-5	IGNITION COIL		1	*	154		
160-1	168816-0	IGNITION COIL	S	1				
161	922138-0	H.S.H.BOLT M4X20 WITH WR		2		100		

