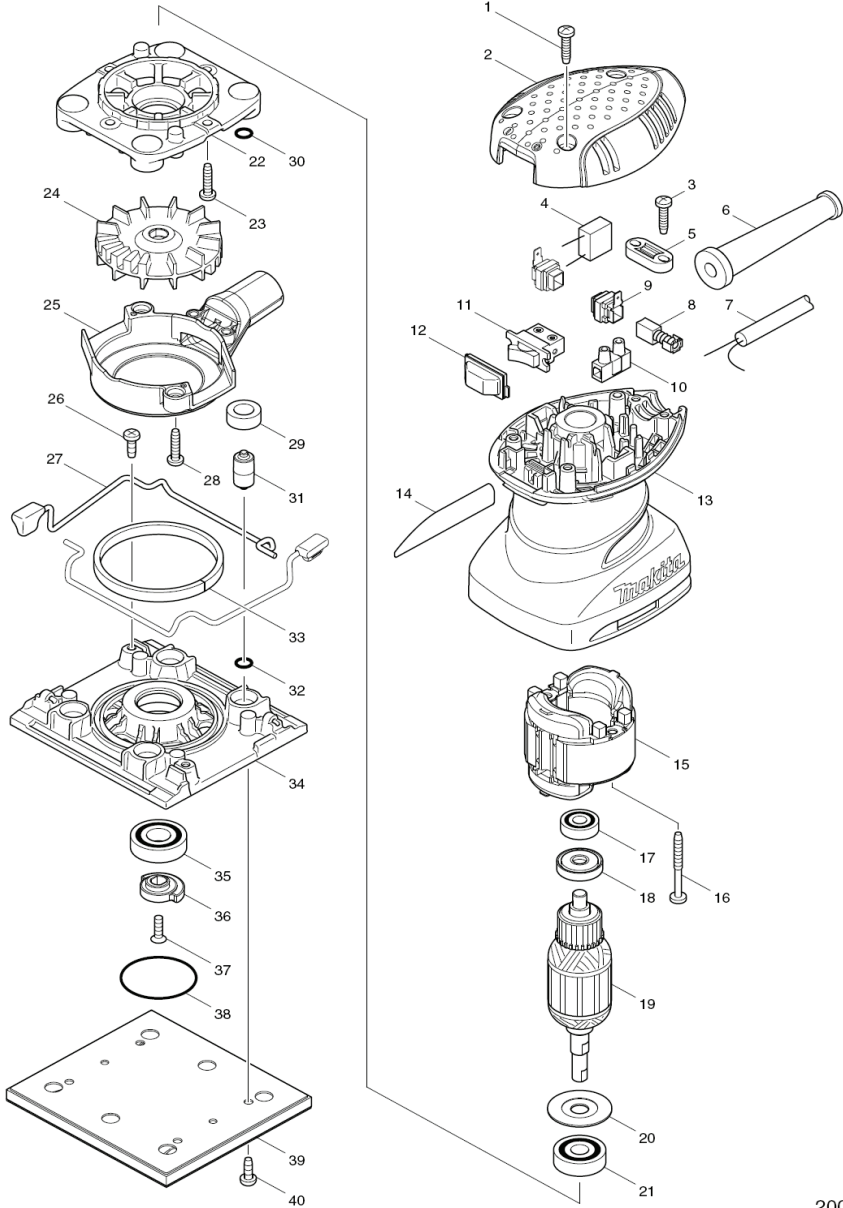




BO4555



2007/02
BO4555

Item	Sub	Sub_Explanation	Parts_No.	Parts_Description	Qty	Unit	Note
1			265995-6	TAPPING SCREW 4X18	3	PC.	
2			450071-1	TOP COVER	1	PC.	
3			265995-6	TAPPING SCREW 4X18	2	PC.	
4			645105-5	NOISE SUPPRESSOR	1	PC.	
5			687124-5	STRAIN RELIEF	1	PC.	
6			682504-0	CORD GUARD 10-85	1	PC.	
7			665905-7	POWER SUPPLY CORD 1.0-2-2.0	1	PC.	110V
007A			692516-5	POWER SUPPLY CORD 1.0-2-2.0	1	PC.	240V
8			191962-4	CARBON BRUSH CB-419	1	SET	
9			643995-0	BRUSH HOLDER	2	PC.	
10			654532-5	TERMINAL BLOCK 1P	1	PC.	
11			651527-9	SWITCH	1	PC.	
12			424039-3	SWITCH COVER	1	PC.	
13			450072-9	MOTOR HOUSING	1	PC.	
14			863728-9	BO4555 NAME PLATE	1	PC.	
15			599370-7	FIELD ASS'Y 115V	1	PC.	110V
15	C10		654069-2	RECEPTACLE	2	PC.	
015A			593649-8	FIELD ASS'Y 240V	1	PC.	240V
015A	C10		654069-2	RECEPTACLE	2	PC.	
16			266048-4	TAPPING SCREW 4X40	2	PC.	
17			210034-7	BALL BEARING 607LLB	1	PC.	
18			681652-2	INSULATION WASHER	1	PC.	
19			515706-2	ARMATURE ASS'Y 115V	1	PC.	110V
19	D10	INC. 17182021		INC. 17182021	0		
019A			515708-8	ARMATURE ASS'Y 220-240V	1	PC.	240V
019A	D10	INC. 17182021		INC. 17182021	0		
20			267806-1	WASHER 9	1	PC.	
21			211092-6	BALL BEARING 629DDW	1	PC.	
22			450070-3	BEARING BOX	1	PC.	
23			265995-6	TAPPING SCREW 4X18	4	PC.	
24			241671-6	FAN 63	1	PC.	
25			450069-8	FAN GUIDE	1	PC.	
26			266020-6	TAPPING SCREW 4X12	2	PC.	
27			162259-8	LEVER COMPLETE	2	PC.	
28			265995-6	TAPPING SCREW 4X18	2	PC.	
29			424023-8	SPONGE SLEEVE 9	4	PC.	
30			213983-7	O RING 4	4	PC.	
31			318151-8	FOOT	4	PC.	
32			213983-7	O RING 4	4	PC.	
33			424038-5	SPONGE 6X185X3	1	PC.	
34			450067-2	BASE	1	PC.	
35			211131-2	BALL BEARING 6001DDW	1	PC.	
36			313141-6	BALANCER	1	PC.	
37			912117-6	COUNTERSUNK HEAD SCREW M4X12	1	PC.	
38			213510-0	O RING 36	1	PC.	
39			158323-1	PAD COMPLETE	1	PC.	
40			266020-6	TAPPING SCREW 4X12	4	PC.	
A01			193932-9	PAPER DUST BAG HOLDER SET	1	PC.	
A02			193712-3	PAPER DUST BAG SET	1	PC.	
A03			192352-4	ABRASIVE PAPER SET	1	SET	
A04			450066-4	PUNCH PLATE	1	PC.	
E01			655030-2	PLUG UK TYPE 16A-4H/110V	1	PC.	110V
E02			654091-9	NON-INSULATED TERMINAL	2	PC.	110V