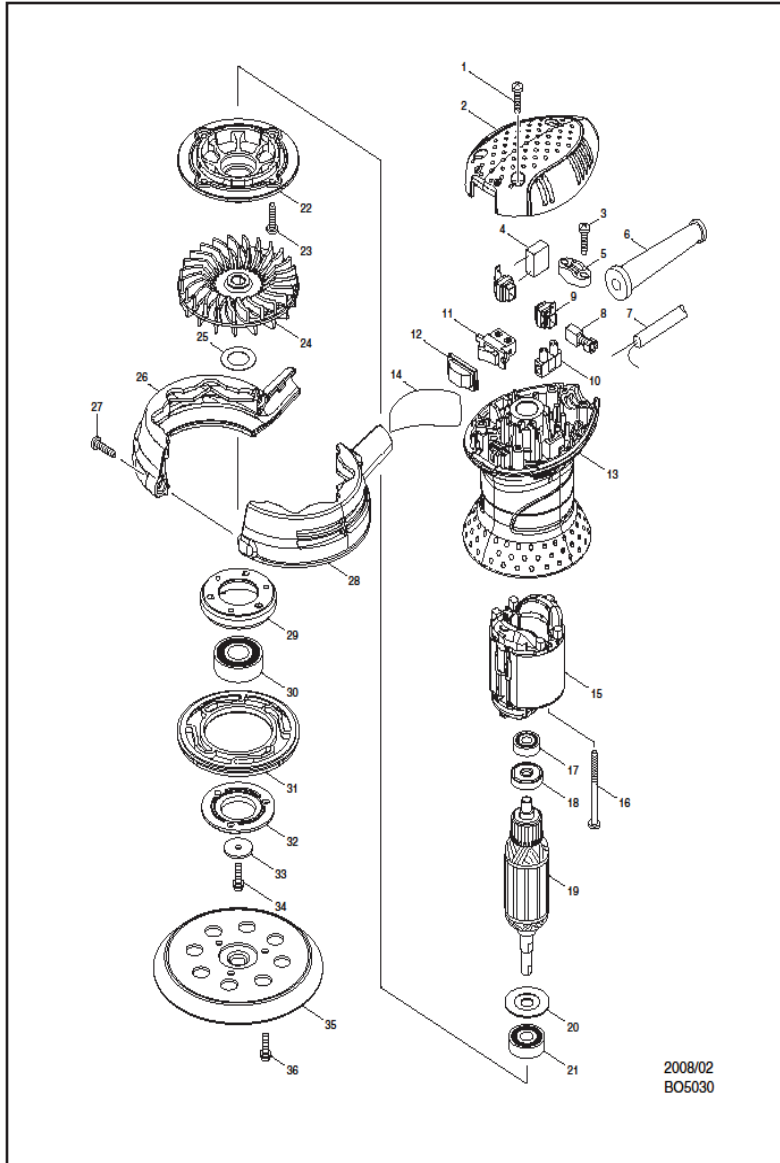


# BO5030



REF. CODE	DESCRIPTION	UNIT	LIST	REF. CODE	DESCRIPTION	UNIT	LIST
1	265995-6 TAPPING SCREW 4X18	PC		20A	267806-1 WASHER 9	PC	
1A	265995-6 TAPPING SCREW 4X18	PC		20B	267806-1 WASHER 9	PC	
1B	265995-6 TAPPING SCREW 4X18	PC		21	211092-6 BALL BEARING 692DDW	PC	
2	450071-1 TOP COVER	PC		21A	211092-6 BALL BEARING 692DDW	PC	
2A	450071-1 TOP COVER	PC		21B	211092-6 BALL BEARING 692DDW	PC	
2B	450071-1 TOP COVER	PC		22	450672-5 BRACKET	PC	
3	265995-6 TAPPING SCREW 4X18	PC		22A	450672-5 BRACKET	PC	
3A	265995-6 TAPPING SCREW 4X18	PC		22B	450672-5 BRACKET	PC	
3B	265995-6 TAPPING SCREW 4X18	PC		23	265995-6 TAPPING SCREW 4X18	PC	
4	645105-5 NOISE SUPPRESSOR	PC		23A	265995-6 TAPPING SCREW 4X18	PC	
4A	645105-5 NOISE SUPPRESSOR	PC		23B	265995-6 TAPPING SCREW 4X18	PC	
4B	645105-5 NOISE SUPPRESSOR	PC		24	241673-2 FAN 88	PC	
5	687052-4 STRAIN RELIEF	PC		24A	241673-2 FAN 88	PC	
5A	687052-4 STRAIN RELIEF	PC		24B	241673-2 FAN 88	PC	
5B	687052-4 STRAIN RELIEF	PC		25	267164-5 FLAT WASHER 15	PC	
6	682504-0 CORD GUARD 10-85	PC		25A	267164-5 FLAT WASHER 15	PC	
6A	682504-0 CORD GUARD 10-85	PC		25B	267164-5 FLAT WASHER 15	PC	
6B	682504-0 CORD GUARD 10-85	PC		26	188579-2 SKIRT L/R SET	SET	
7	665905-7 POWER SUPPLY CORD 1.0-2-2.0	PC		D10	INC. 28		
7	692516-5 POWER SUPPLY CORD 1.0-2-2.0	PC		26A	188579-2 SKIRT L/R SET	SET	
7A	665905-7 POWER SUPPLY CORD 1.0-2-2.0	PC		D10	INC. 28		
7B	692516-5 POWER SUPPLY CORD 1.0-2-2.0	PC		27	265995-6 TAPPING SCREW 4X18	PC	
8	191962-4 CARBON BRUSH CB-419	SET		27A	265995-6 TAPPING SCREW 4X18	PC	
8A	191962-4 CARBON BRUSH CB-419	SET		27B	265995-6 TAPPING SCREW 4X18	PC	
8B	191962-4 CARBON BRUSH CB-419	SET		28	188579-2 SKIRT L/R SET	SET	
9	643995-0 BRUSH HOLDER	PC		D10	INC. 26		
9A	643995-0 BRUSH HOLDER	PC		28A	188579-2 SKIRT L/R SET	SET	
9B	643995-0 BRUSH HOLDER	PC		D10	INC. 26		
10	654532-5 TERMINAL BLOCK 1P	PC		29	318304-9 BEARING BOX	PC	
10A	654532-5 TERMINAL BLOCK 1P	PC		29A	318304-9 BEARING BOX	PC	
10B	654532-5 TERMINAL BLOCK 1P	PC		29B	318304-9 BEARING BOX	PC	
11	651527-9 SWITCH	PC		30	211228-7 BALL BEARING 6202DDW	PC	
11A	651527-9 SWITCH	PC		30A	211228-7 BALL BEARING 6202DDW	PC	
11B	651527-9 SWITCH	PC		30B	211228-7 BALL BEARING 6202DDW	PC	
12	424039-3 SWITCH COVER	PC		31	424131-5 BRAKE RING	PC	
12A	424039-3 SWITCH COVER	PC		31A	424131-5 BRAKE RING	PC	
12B	424039-3 SWITCH COVER	PC		31B	424131-5 BRAKE RING	PC	
13	450671-7 MOTOR HOUSING	PC		32	318303-1 BEARING BOX COVER	PC	
13A	450671-7 MOTOR HOUSING	PC		32A	318303-1 BEARING BOX COVER	PC	
13B	450671-7 MOTOR HOUSING	PC		32B	318303-1 BEARING BOX COVER	PC	
14	865589-3 BO5030 NAME PLATE	PC		33	253739-6 FLAT WASHER 4	PC	
14A	865589-3 BO5030 NAME PLATE	PC		33A	253739-6 FLAT WASHER 4	PC	
14B	865589-3 BO5030 NAME PLATE	PC		33B	253739-6 FLAT WASHER 4	PC	
15	633674-8 FIELD 240V	PC		34	911128-8 PAN HEAD SCREW M4X16	PC	
15	639374-8 FIELD 115V	PC		34A	911128-8 PAN HEAD SCREW M4X16	PC	
15A	639374-8 FIELD 115V	PC		34B	911128-8 PAN HEAD SCREW M4X16	PC	
15B	633674-8 FIELD 240V	PC		35	743081-8 PAD 123	PC	
016	266147-2 TAPPING SCREW 4X55	PC		35A	743081-8 PAD 123	PC	
16A	266147-2 TAPPING SCREW 4X55	PC		35B	743081-8 PAD 123	PC	
16B	266147-2 TAPPING SCREW 4X55	PC		36	911128-8 PAN HEAD SCREW M4X16	PC	
17	210017-7 BALL BEARING 607DDW	PC		36A	911128-8 PAN HEAD SCREW M4X16	PC	
17A	210017-7 BALL BEARING 607DDW	PC		36B	911128-8 PAN HEAD SCREW M4X16	PC	
17B	210017-7 BALL BEARING 607DDW	PC		A01	166078-4 DUST BAG	PC	
18	681652-2 INSULATION WASHER	PC		A01A	166078-4 DUST BAG	PC	
18A	681652-2 INSULATION WASHER	PC		A01B	166078-4 DUST BAG	PC	
18B	681652-2 INSULATION WASHER	PC		A02	257202-1 RING 25	PC	
19	515734-7 ARMATURE ASSY 240V	PC		A02A	257202-1 RING 25	PC	
19	518899-4 ARMATURE ASSY 115V	PC		A02B	257202-1 RING 25	PC	
D10	INC. 17182021			A03	416063-0 DUST BAG NOZZLE	PC	
19A	518899-4 ARMATURE ASSY 115V	PC		A03A	416063-0 DUST BAG NOZZLE	PC	
D10	INC. 17182021			A03B	416063-0 DUST BAG NOZZLE	PC	
19B	515734-7 ARMATURE ASSY 240V	PC		A04	416064-8 DUST NOZZLE	PC	
D10	INC. 17182021			A04A	416064-8 DUST NOZZLE	PC	
20	267806-1 WASHER 9	PC		A04B	416064-8 DUST NOZZLE	PC	