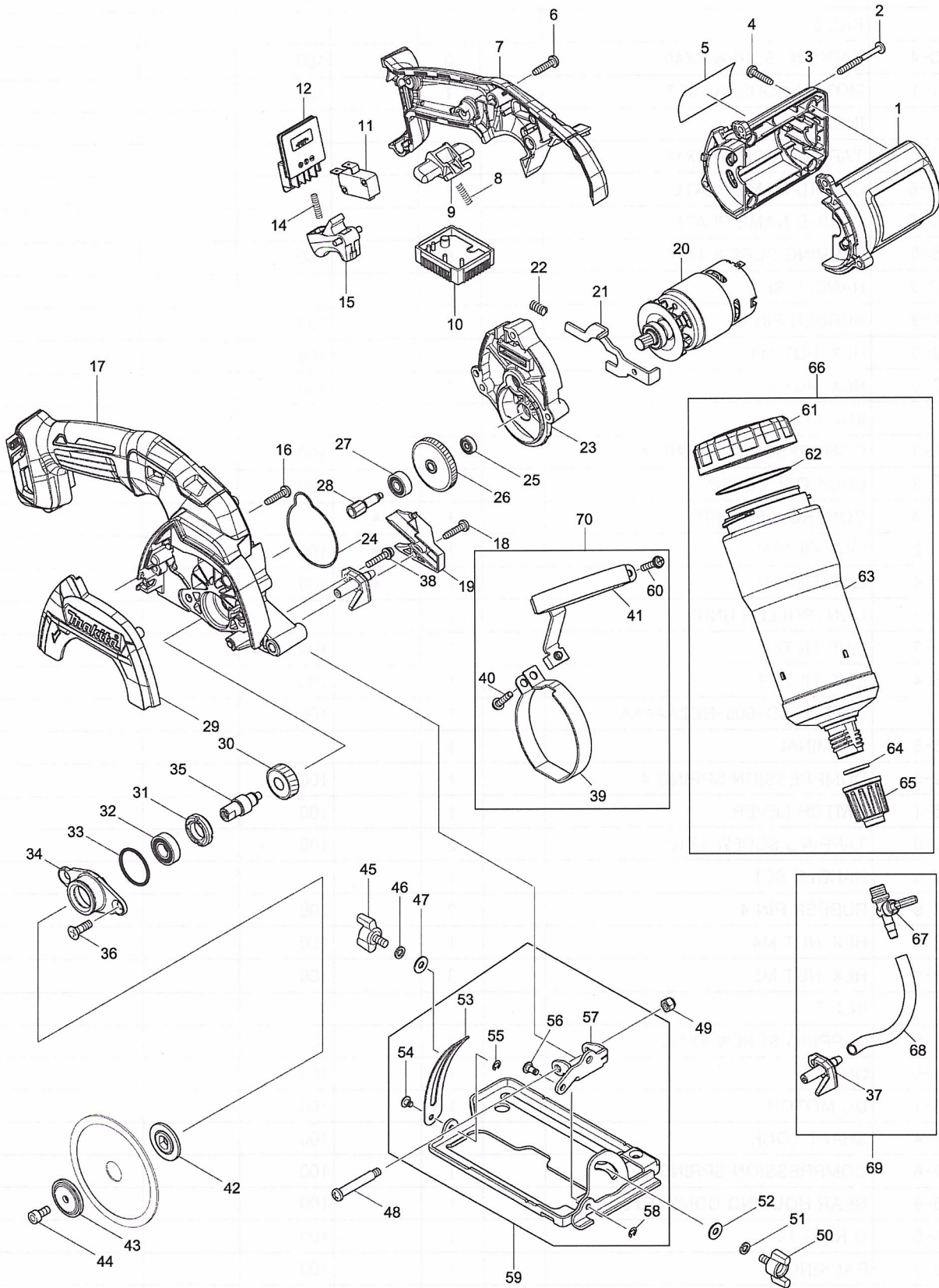


Model No.CC301D 85MM CORDLESS CUTTER



Model No.CC301D 85MM CORDLESS CUTTER

Item	Parts No.	Description	I/C	QTY	New/Old	Opt. 1	Opt. 2	NOTE
001	188941-1	MOTOR HOUSING SET		1		100		
D10		INC. 3						
002	266560-4	TAPPING SCREW 4X40		3		100		
003	188941-1	MOTOR HOUSING SET		1		100		
D10		INC. 1						
004	265995-6	TAPPING SCREW 4X18		4		100		
005	852H03-6	CC301D NAME PLATE		1	*			
005-1	852H02-8	CC301D NAME PLATE	<	1				
006	265995-6	TAPPING SCREW 4X18		6		100		
007	183D87-2	HANDLE SET		1				
C10	263002-9	RUBBER PIN 4		2		100		
C20	931102-0	HEX. NUT M4		1		100		
C30	931202-6	HEX. NUT M5		3		100		
D10		INC. 17						
008	231469-9	COMPRESSION SPRING 4		1		100		
009	419664-3	LOCK OFF LEVER		1		100		
010	632F49-4	CONTROLLER UNIT		1	*			
C10	688161-2	LINE FILTER		1	*	100		
C20	688165-4	LINE FILTER		1	*	100		
010-1	632L90-3	CONTROLLER UNIT	<	1				
C10	688161-2	LINE FILTER		1		100		
C20	688165-4	LINE FILTER		1		100		
011	650577-1	SWITCH SD-006-BB2AA-AA		1		100		
012	644813-5	TERMINAL		1				
014	231469-9	COMPRESSION SPRING 4		1		100		
015	419665-1	SWITCH LEVER		1		100		
016	265995-6	TAPPING SCREW 4X18		2		100		
017	183D87-2	HANDLE SET		1				
C10	263002-9	RUBBER PIN 4		2		100		
C20	931102-0	HEX. NUT M4		1		100		
C30	931202-6	HEX. NUT M5		3		100		
D10		INC. 7						
018	265995-6	TAPPING SCREW 4X18		1		100		
019	452234-5	DUCT		1		100		
020	629885-1	DC MOTOR		1		100		
021	346337-4	SHAFT LOCK		1		100		
022	233117-6	COMPRESSION SPRING 6		1		100		
023	140625-9	GEAR HOUSING COMPLETE		1		100		
C10	213325-5	O RING 19		1		100		
024	424358-7	PACKING		1		100		
025	210036-3	BALL BEARING 604ZZ		1		100		
026	227737-6	HELICAL GEAR 47		1		100		
027	210028-2	BALL BEARING 606ZZ		1		100		
028	227735-0	HELICAL GEAR 9B		1		100		
029	456906-4	BLADE COVER		1				

Model No.CC301D 85MM CORDLESS CUTTER

Item	Parts No.	Description	I/C	QTY	New/Old	Opt. 1	Opt. 2	NOTE
030	227736-8	HELICAL GEAR 28		1		100		
031	285847-5	BEARING RETAINER 14-23		1		100		
032	210069-8	BALL BEARING 6900DDW		1		100		
033	213435-8	O RING 26		1		100		
034	318660-7	BEARING BOX		1		100		
035	325983-6	SPINDLE		1		100		
036	265034-2	+ COUNTERSUNK HEAD SCREW M5X16		2		100		
037	453555-8	NOZZLE		1		100		
038	911138-5	PAN HEAD SCREW M4X20		1		100		
039	346578-2	BAND B		1		100		
040	911138-5	PAN HEAD SCREW M4X20		1		100		
041	346579-0	TANK HOLDER		1		100		
042	224435-3	INNER FLANGE 28		1		100		
043	224177-9	OUTER FLANGE 28		1		100		
044	922212-4	HEX. SOCKET HEAD BOLT M5X12		1		100		
045	265760-3	THUMB SCREW M5X10		1		100		
046	942101-7	SPRING WASHER 5		1		100		
047	941101-4	FLAT WASHER 5		1		100		
048	265056-2	+ PAN HEAD SCREW M5		1		100		
049	252103-8	HEX. LOCK NUT M5-8		1		100		
050	265760-3	THUMB SCREW M5X10		1		100		
051	942101-7	SPRING WASHER 5		1		100		
052	941101-4	FLAT WASHER 5		1		100		
053	346587-1	DEPTH GUIDE		1		100		
054	268004-0	PIN 4		1		100		
055	961017-7	STOP RING E-3		1		100		
056	268028-6	PIN 5		1		100		
057	346586-3	ANGULAR GUIDE		1		100		
058	961017-7	STOP RING E-3		1		100		
059	135503-6	BASE ASS'Y		1		100		
D10		INC. 53-58						
060	911138-5	PAN HEAD SCREW M4X20		1		100		
061	453557-4	CAP B		1		100		
062	213605-9	O RING 50		1		100		
063	453556-6	WATER SUPPLY TANK		1		100		
064	261056-0	RUBBER WASHER 12		1		100		
065	453554-0	CAP A		1		100		
066	187277-5	WATER SUPPLY TANK SET		1		100		
D10		INC. 61-65						
067	152536-6	WATER SUPPLY COCK COMPLETE		1				
068	412107-4	VINYL TUBE 5		1		100		
069	187278-3	WATER SUPPLY COCK SET		1		100		
D10		INC. 37,67,68						
070	187276-7	TANK HOLDER SET		1		100		
D10		INC. 39-41,60						

Please order the parts with part number.

Print Date 23/10/2019

