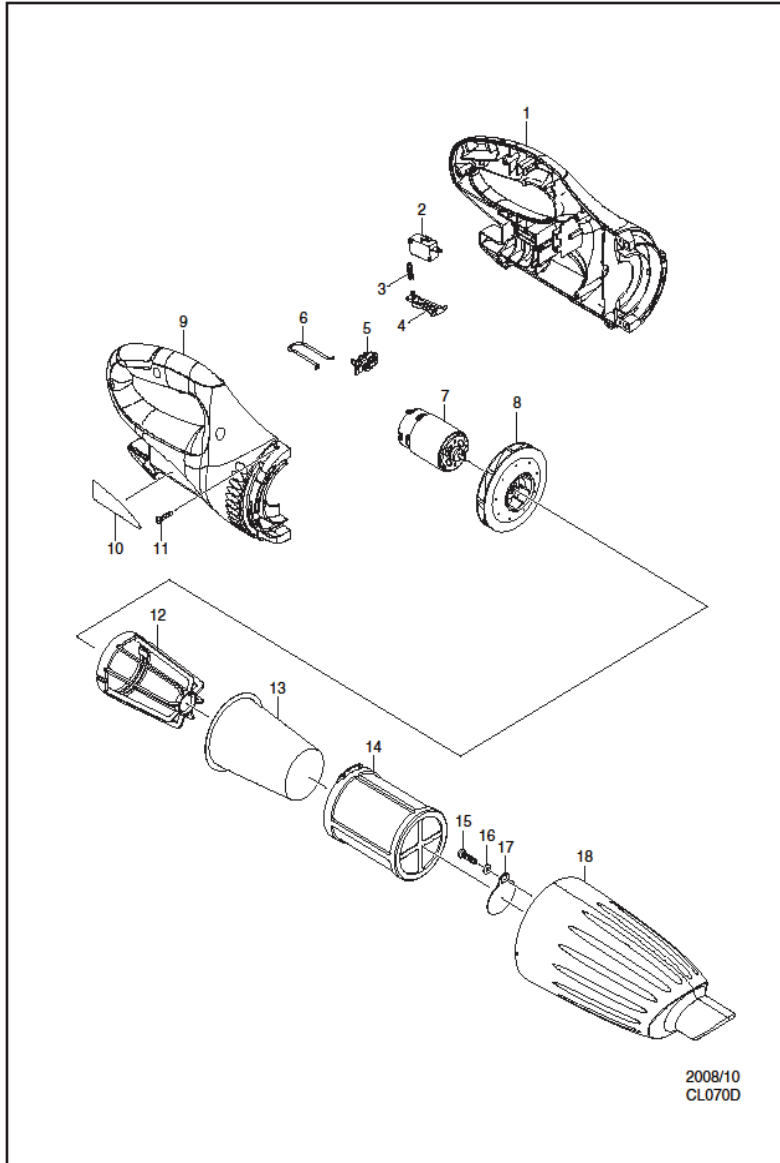


CL070D



REF.	CODE	DESCRIPTION	UNIT	LIST	REF.	CODE	DESCRIPTION
001	188687-9	HOUSING SET	PC				
D10		INC. 9					
002	651944-3	SWITCH DMC-1115-13	PC				
003	231473-8	COMPRESSION SPRING 4	PC				
004	451210-6	SWITCH LEVER	PC				
005	643817-4	TERMINAL	PC				
006	324885-3	HANGER	PC				
007	629864-9	DC MOTOR	PC				
008	240102-2	FAN 82	PC				
009	188687-9	HOUSING SET	PC				
D10		INC. 1					
010	866711-5		PC				
011	266429-2	TAPPING SCREW 3X16	PC				
012	410237-5	STAY	PC				
013	443060-3	FILTER	PC				
014	451208-3	PRE-FILTER	PC				
015	265995-6	TAPPING SCREW 4X18	PC				
016	941051-3	FLAT WASHER 4	PC				
017	424208-6	VALVE	PC				
018	451207-5	CAPSULE	PC				
A01	122861-9	NOZZLE ASSY	PC				
C10	268208-4	PIN 3	PC				
C20	424095-3	ROLLER	PC				
C30	424096-1	WIPER	PC				
A02	416041-0	SASH NOZZLE (IVORY)	PC				
A03	451424-7	PIPE	PC				
A04	416043-6	SASH NOZZLE HOLDER (IVORY)	PC				