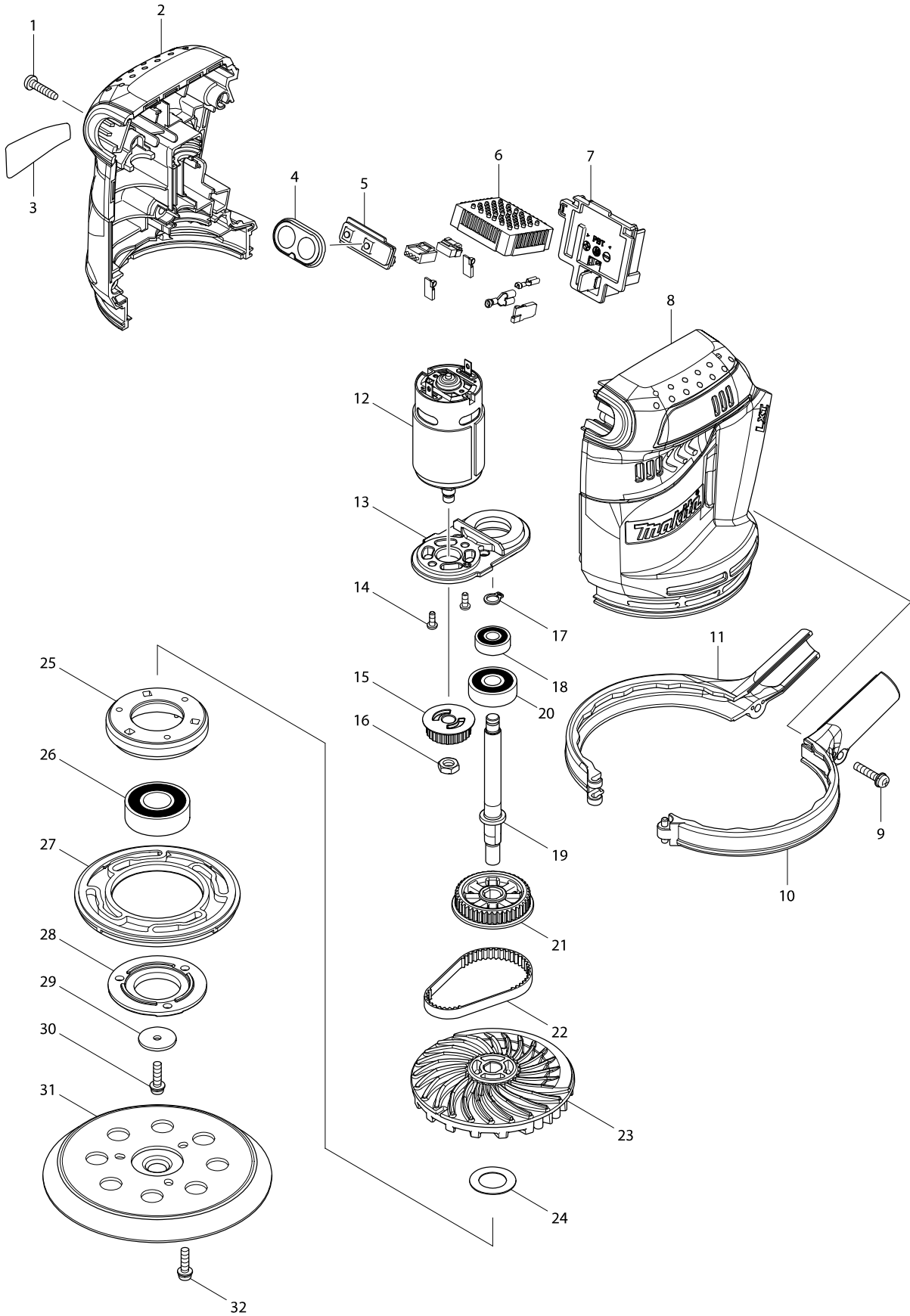


Model No. DBO180 125MM CRDLS RNDM ORBIT SANDER



Model No. DBO180 125MM CRDLS RNDM ORBIT SANDER

Item	Parts No.	Description	I/C	QTY	N/O	Opt. 1	Opt. 2	NOTE
001	265995-6	TAPPING SCREW 4X18		5	100			
002	187423-0	HOUSING SET		1	100			
C10	263005-3	RUBBER PIN 6		2	100			
D10		INC. 8						
003	815F52-2	DBO180 NAME PLATE		1				
004	141419-5	SWITCH PLATE COMPLETE		1	100			
005	620115-3	SWITCH UNIT		1	100			
006	638982-2	CONTROLLER UNIT		1	100			
C10	688172-7	LINE FILTER		1				
007	644808-8	TERMINAL		1	100			
008	187423-0	HOUSING SET		1	100			
C10	263005-3	RUBBER PIN 6		2	100			
D10		INC. 2						
009	911138-5	PAN HEAD SCREW M4X20		1	100			
010	187360-8	SKIRT SET		1	100			
D10		INC. 11						
011	187360-8	SKIRT SET		1	100			
D10		INC. 10						
012	629952-2	DC MOTOR		1	100			
013	453632-6	MOTOR BRACKET		1	100			
014	265199-0	+ PAN HEAD SCREW M3X8		2	100			
015	222175-7	PULLEY 7.5-24.1		1	100			
016	931303-0	HEX. NUT M6		1	100			
017	961003-8	RETAINING RING S-7		1	100			
018	210062-2	BALL BEARING 607ZZ		1	100			
019	326168-7	SPINDLE		1	100			
020	211092-6	BALL BEARING 629DDW		1	100			
021	222176-5	PULLEY 7.5-40.3		1	100			
022	225095-4	SYNCHRO BELT 6-174		1				
023	240136-5	FAN 88		1	100			
024	267164-5	FLAT WASHER 15		1	100			
025	318304-9	BEARING BOX		1	100			
026	211228-7	BALL BEARING 6202DDW		1	100			
027	424131-5	BRAKE RING		1	100			
028	318303-1	BEARING BOX COVER		1	100			
029	253739-6	FLAT WASHER 4		1	100			
030	911128-8	P.H.SCREW M4X16 WITH WR		1	100			
031	743081-8	PAD 123		1				
032	911128-8	P.H.SCREW M4X16 WITH WR		3	100			
A01	166078-4	DUST BAG		1				
A02	257202-1	RING 25		1	100			
A03	416063-0	DUST BAG NOZZLE		1				
A04	416064-8	DUST NOZZLE		1				
A05	794544-7	ABRASIVE DISC 125 #120		1				
A06F	***DC18RC	DC18RC FAST CHARGER		1				
A06G	***DC18RC	DC18RC FAST CHARGER		1				
A06H	821550-0	CONNECTOR PLASTIC CASE (TYPE2)		1				
C10	453974-8	LATCH		4	100			

