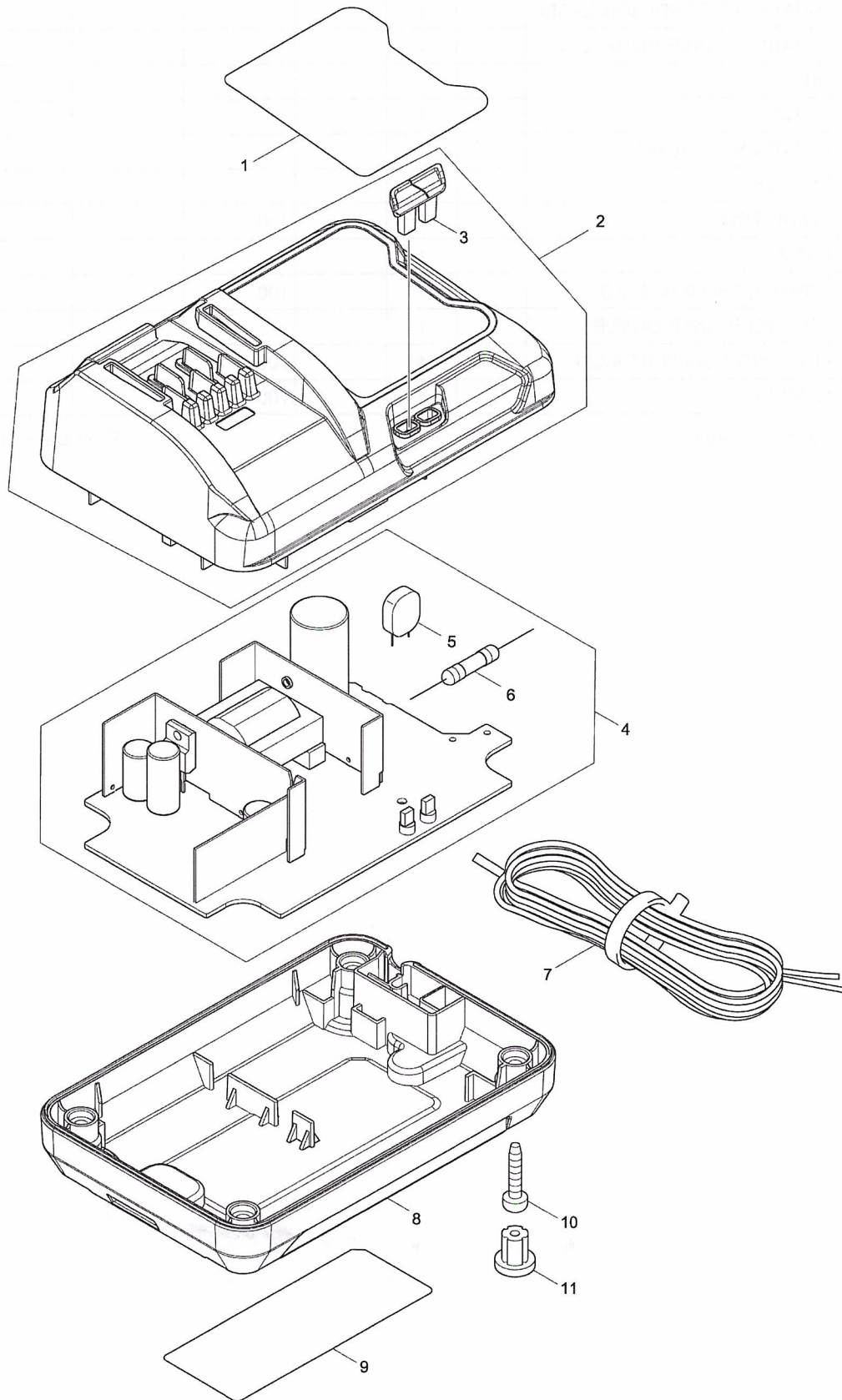


Model No.DC10WD BATTERY CHARGER



Model No.DC10WD BATTERY CHARGER

Item	Parts No.	Description	I/C	QTY	New/Old	Opt. 1	Opt. 2	NOTE
001	807B57-2	CHARGING CONDITION LABEL		1				
002	143244-0	CHARGER CASE COMPLETE		1				
	D10	INC. 3						
003	455959-0	LENZ		1				
004	620421-6	CHARGING CIRCUIT		1				
	D10	INC. 5,6						
005	647306-1	VARISTOR		1		100		
006	652804-2	FUSE		1				
007	667986-7	VINYL CORD 0.75-2-2.0		1		100		
008	455958-2	CHARGER CASE COVER		1				
010	266346-6	TAPPING SCREW BT 4X20		4		100		
011	286255-3	CAP 13		4		100		

Please order the parts with part number.

Print Date 21/10/2019

