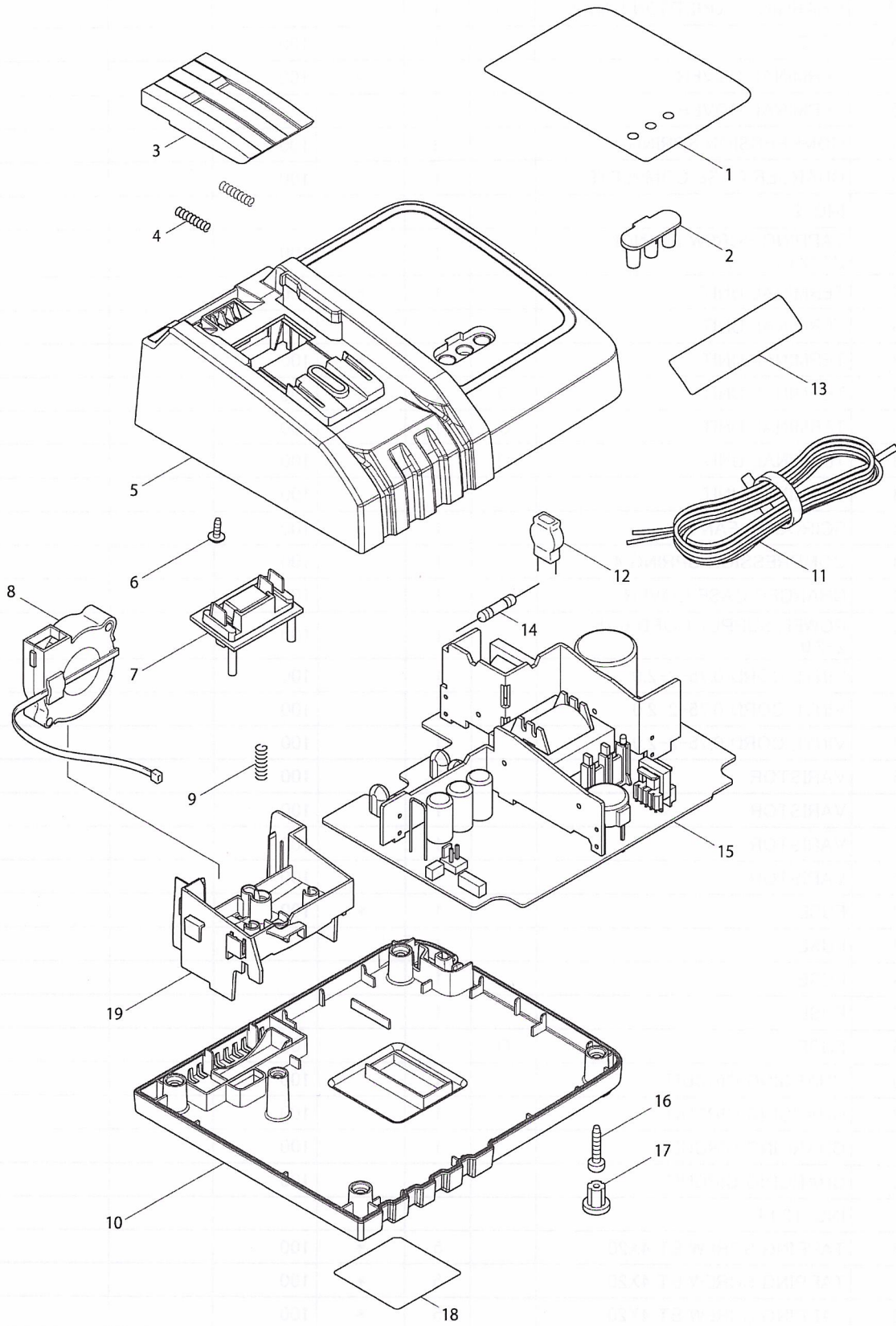


Model No.DC18RC CHARGER



Model No.DC18RC CHARGER

Item	Parts No.	Description	I/C	QTY	New/Old	Opt. 1	Opt. 2	NOTE
001	892752-5	CHARGING CONDITION LABEL		1	*	100		
001-1	810V46-8	CHARGING CONDITION LABEL	O	1				
002	452661-6	LENZ		1		100		
003	419569-7	TERMINAL COVER		1	*	100		
003-1	455546-5	TERMINAL COVER	<	1				
004	231474-6	COMPRESSION SPRING 4		2		100		
005	140824-3	CHARGER CASE COMPLETE		1		100		
D10		INC. 2						
006	266278-7	TAPPING SCREW FLANGE BT3X10		1		100		
007A	638847-8	TERMINAL UNIT		1	*	100		
007B	638847-8	TERMINAL UNIT		1	*	100		
007C	638847-8	TERMINAL UNIT		1	*	100		
007-1A	638847-8	TERMINAL UNIT	O	1		100		
007-1B	638847-8	TERMINAL UNIT	O	1		100		
007-1C	638847-8	TERMINAL UNIT	O	1		100		
007-1D	638847-8	TERMINAL UNIT		1		100		
008	638499-5	SCIROCCO FAN		1		100		
009	233194-8	COMPRESSION SPRING 4		1		100		
010	452659-3	CHARGER CASE COVER		1		100		
011A	667805-7	POWER SUPPLY CORD 0.75- 2-2.0		1		100		
011B	667986-7	VINYL CORD 0.75-2-2.0		1		100		
011C	667986-7	VINYL CORD 0.75-2-2.0		1		100		
011D	667986-7	VINYL CORD 0.75-2-2.0		1		100		
012A	647321-5	VARISTOR		1		100		
012B	647306-1	VARISTOR		1		100		
012C	647306-1	VARISTOR		1		100		
012D	647306-1	VARISTOR		1		100		
014A	652782-6	FUSE		1	*	100		
014B	652797-3	FUSE		1				
014C	652797-3	FUSE		1				
014D	652797-3	FUSE		1				
014-1A	652782-6	FUSE	O	1		100		
015A	620066-0	CHARGING CIRCUIT		1		100		
015B	620067-8	CHARGING CIRCUIT		1		100		
015C	620067-8	CHARGING CIRCUIT		1		100		
015D	620067-8	CHARGING CIRCUIT		1		100		
D10		INC. 12,14						
016A	266346-6	TAPPING SCREW BT 4X20		5	*	100		
016B	266346-6	TAPPING SCREW BT 4X20		5	*	100		
016C	266346-6	TAPPING SCREW BT 4X20		5	*	100		
016-1A	266346-6	TAPPING SCREW BT 4X20	O	4		100		
016-1B	266346-6	TAPPING SCREW BT 4X20	O	4		100		
016-1C	266346-6	TAPPING SCREW BT 4X20	O	4		100		
016-1D	266346-6	TAPPING SCREW BT 4X20		4		100		

Model No.DC18RC CHARGER

Item	Parts No.	Description	I/C	QTY	New/Old	Opt. 1	Opt. 2	NOTE
017	286255-3	CAP 13		4		100		
018	869949-1	DC18RC T NAME PLATE		1		100		
019	452660-8	TERMINAL BASE		1		100		
020A	266346-6	TAPPING SCREW BT 4X20		1		100		
020B	266346-6	TAPPING SCREW BT 4X20		1		100		
020C	266346-6	TAPPING SCREW BT 4X20		1		100		
020D	266346-6	TAPPING SCREW BT 4X20		1		100		
A01D	450128-8	BATTERY COVER		2				
A02D	196399-0	BATTERY BL1840 SET		2	*			
A02-1D	197265-4	BATTERY BL1840B SET	<	2				

Please order the parts with part number.

Print Date 21/10/2019