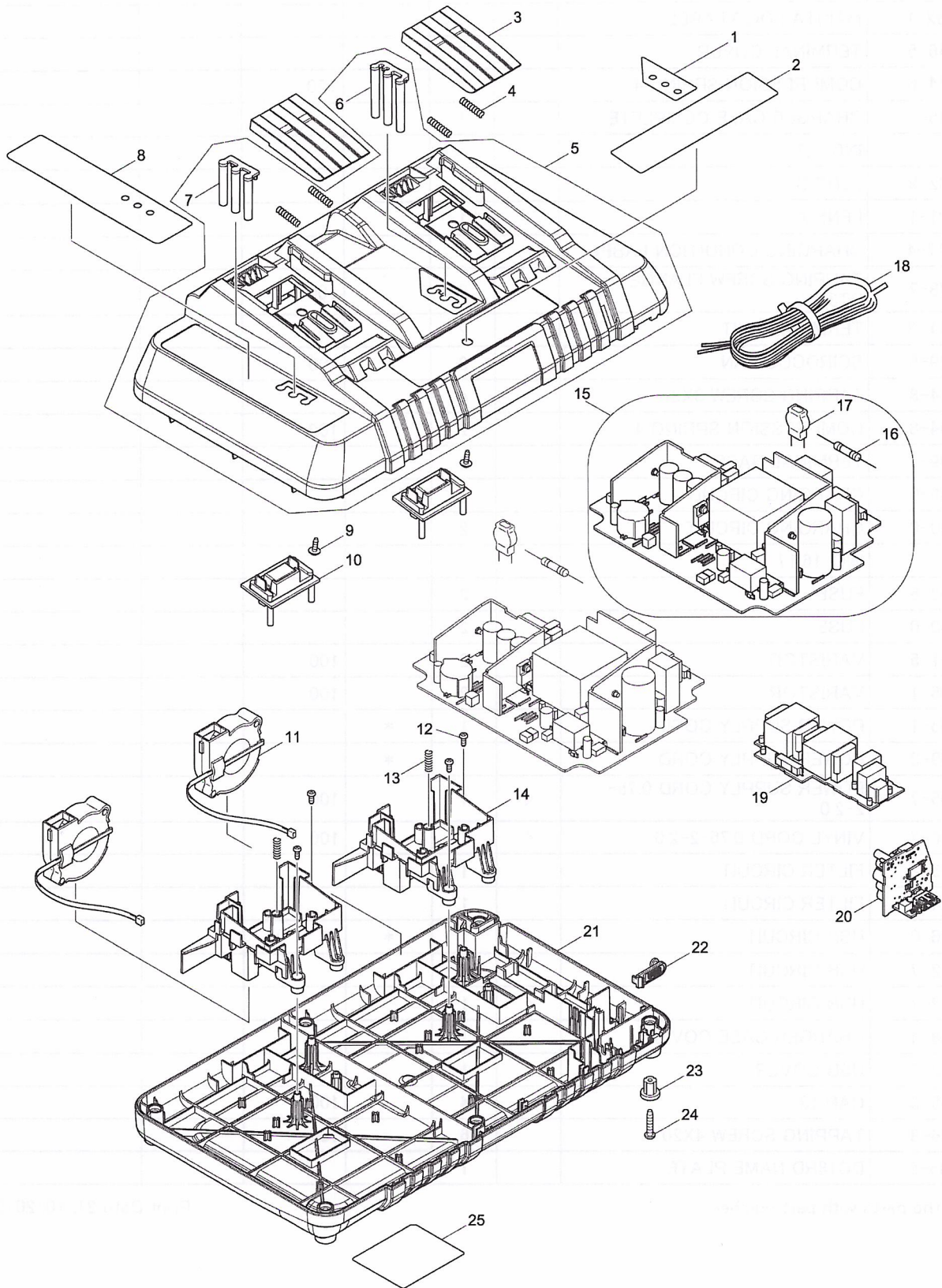


Model No.DC18RD TWO PORT MULTI FAST CHARGER



Model No.DC18RD TWO PORT MULTI FAST CHARGER

Item	Parts No.	Description	I/C	QTY	New/Old	Opt. 1	Opt. 2	NOTE
001	804Y51-3	INDICATION LABEL		1				
002	804Y52-1	MAKITA LOGO LABEL		1				
003	455546-5	TERMINAL COVER		2				
004	231474-6	COMPRESSION SPRING 4		4		100		
005	142845-1	CHARGER CASE COMPLETE		1				
D10		INC. 6,7						
006	455402-9	LENS B		1				
007	455401-1	LENS A		1				
008	804Y47-4	CHARGING CONDITION LABEL		1				
009	266278-7	TAPPING SCREW FLANGE BT3X10		2		100		
010	632E11-3	TERMINAL UNIT		2				
011	638499-5	SCIROCCO FAN		2		100		
012	266764-8	TAPPING SCREW 3X8		4				
013	233194-8	COMPRESSION SPRING 4		2		100		
014	455399-2	TERMINAL BASE		2				
015A	620446-0	CHARGING CIRCUIT		2				
015B	620120-0	CHARGING CIRCUIT		2				
D10		INC. 16,17						
016A	652802-6	FUSE		2				
016B	652800-0	FUSE		2				
017A	647321-5	VARISTOR		2		100		
017B	647306-1	VARISTOR		2		100		
018A	667705-1	POWER SUPPLY CORD		1	*			
018B	667709-3	POWER SUPPLY CORD		1	*			
018-1A	667805-7	POWER SUPPLY CORD 0.75- 2-2.0	<	1		100		
018-1B	667986-7	VINYL CORD 0.75-2-2.0	<	1		100		
019A	620325-2	FILTER CIRCUIT		1				
019B	620324-4	FILTER CIRCUIT		1				
020B	620326-0	USB CIRCUIT		1	*			
020-1A	620412-7	USB CIRCUIT		1				
020-1B	620412-7	USB CIRCUIT	<	1				
021	455398-4	CHARGER CASE COVER		1				
022	455403-7	USB COVER		1				
023	286255-3	CAP 13		4		100		
024	266426-8	TAPPING SCREW 4X20		6		100		
025	850E35-9	DC18RD NAME PLATE		1				

Please order the parts with part number.

Print Date 21/10/2019