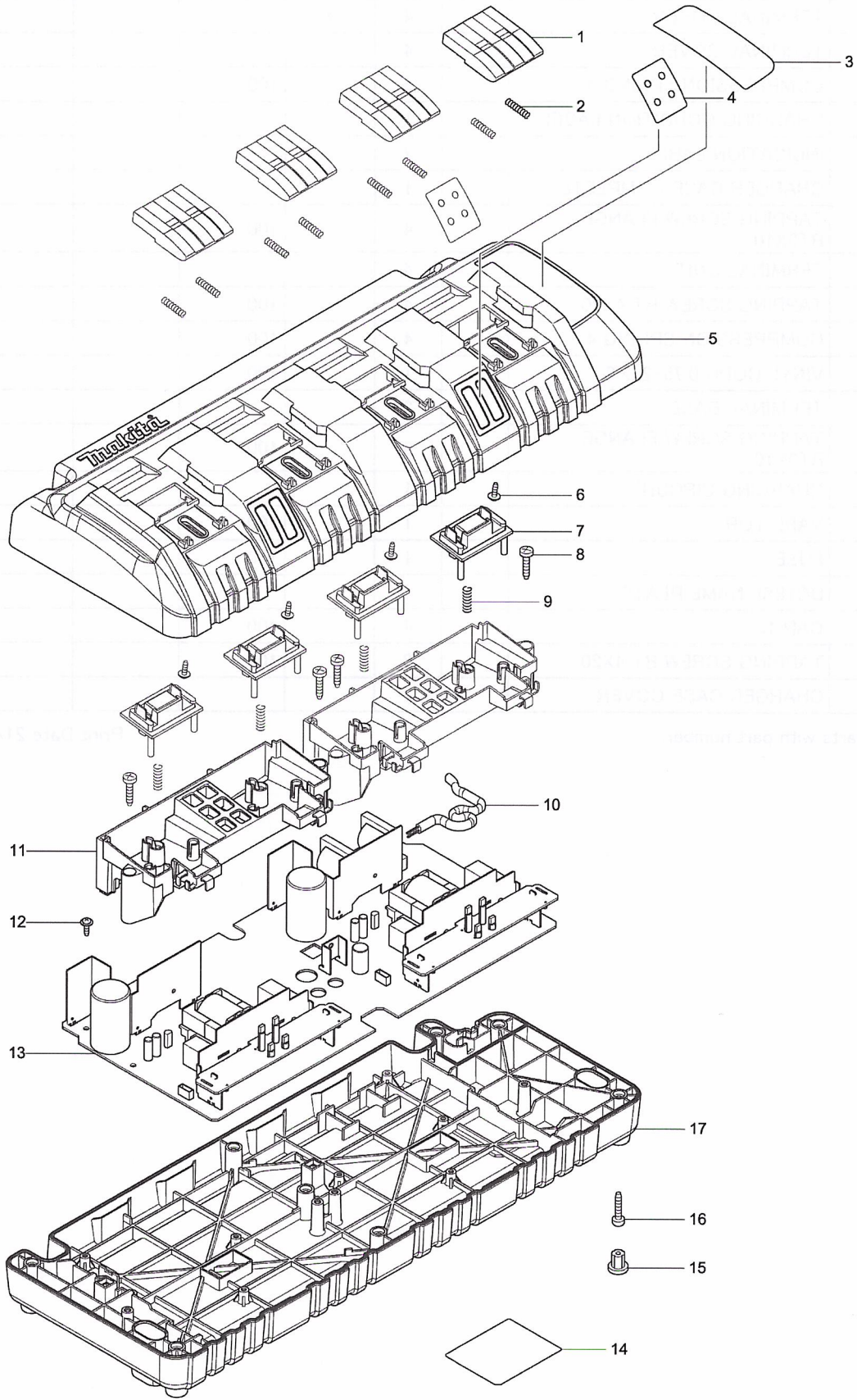


Model No.DC18SF FOUR PORT MULTI CHARGER



Model No.DC18SF FOUR PORT MULTI CHARGER

Item	Parts No.	Description	I/C	QTY	New/Old	Opt. 1	Opt. 2	NOTE
001	454262-6	TERMINAL COVER		4	*			
001-1	456255-9	TERMINAL COVER	<	4				
002	231474-6	COMPRESSION SPRING 4		8		100		
003	801K88-7	CHARGING CONDITION LABEL		1				
004	801M82-1	INDICATION LABEL		2				
005	141900-6	CHARGER CASE COMPLETE		1				
006	266278-7	TAPPING SCREW FLANGE BT3X10		4		100		
007	632B34-3	TERMINAL UNIT		4				
008	266346-6	TAPPING SCREW BT 4X20		4		100		
009	233194-8	COMPRESSION SPRING 4		4		100		
010	667986-7	VINYL CORD 0.75-2-2.0		1		100		
011	454263-4	TERMINAL BASE		2				
012	266278-7	TAPPING SCREW FLANGE BT3X10		8		100		
013	620191-7	CHARGING CIRCUIT		1				
C10	647321-5	VARISTOR		1		100		
C20	652782-6	FUSE		1		100		
014	814K86-2	DC18SF NAME PLATE		1				
015	286255-3	CAP 13		4		100		
016	266346-6	TAPPING SCREW BT 4X20		8		100		
017	454261-8	CHARGER CASE COVER		1				

Please order the parts with part number.

Print Date 21/10/2019