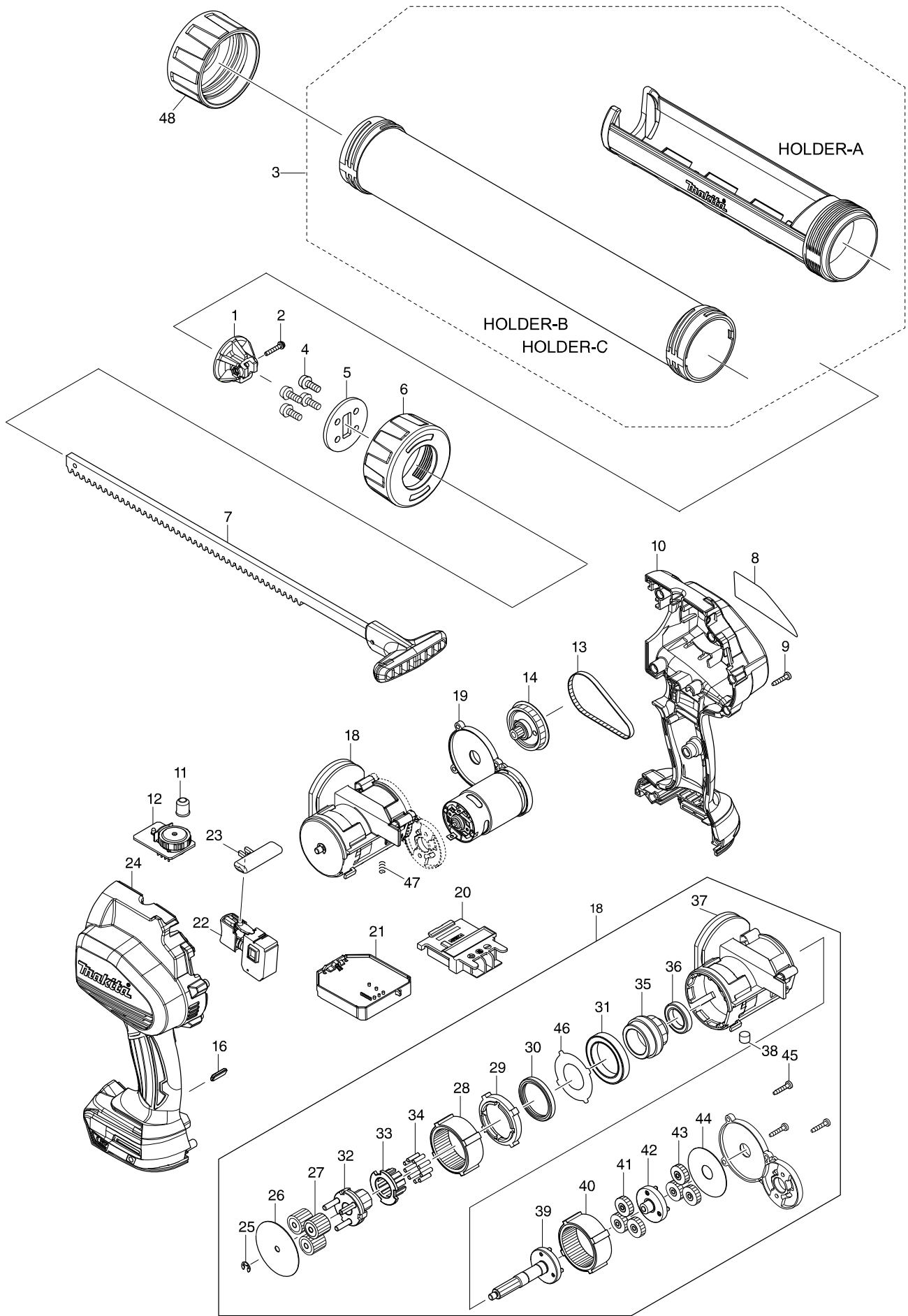


Model No. DCG180 CORDLESS CAULKING GUN



Model No. DCG180 CORDLESS CAULKING GUN

Item	Parts No.	Description	I/C	QTY	N/O	Opt. 1	Opt. 2	NOTE
001E	142071-2	PISTON A COMPLETE		1		100		
001F	142072-0	PISTON B COMPLETE		1		100		
001G	142071-2	PISTON A COMPLETE		1		100		
001H	142072-0	PISTON B COMPLETE		1		100		
001I	142072-0	PISTON B COMPLETE		1		100		
001J	142072-0	PISTON B COMPLETE		1		100		
002	266827-0	PAN HEAD SCREW M3X18 WITH WR		1		100		
003E	454275-7	HOLDER A		1		100		
003F	141861-0	HOLDER B COMPLETE		1		100		
003G	454275-7	HOLDER A		1		100		
003H	141861-0	HOLDER B COMPLETE		1		100		
003I	141861-0	HOLDER B COMPLETE		1		100		
003J	141861-0	HOLDER B COMPLETE		1		100		
004	265074-0	PAN HEAD SCREW M5X16		4		100		
005	346649-5	PLATE		1		100		
006E	454223-6	HOLDER JOINT A		1		100		
006F	318958-2	HOLDER JOINT B		1		100		
006G	454223-6	HOLDER JOINT A		1		100		
006H	318958-2	HOLDER JOINT B		1		100		
006I	318958-2	HOLDER JOINT B		1		100		
006J	318958-2	HOLDER JOINT B		1		100		
007E	142041-1	RACK 42 COMPLETE		1		100		
007F	142042-9	RACK 64 COMPLETE		1		100		
007G	142041-1	RACK 42 COMPLETE		1		100		
007H	142042-9	RACK 64 COMPLETE		1		100		
007I	142042-9	RACK 64 COMPLETE		1		100		
007J	142042-9	RACK 64 COMPLETE		1		100		
008	815F86-5	DCG180 NAME PLATE		1		100		
009	266429-2	TAPPING SCREW 3X16		9		100		
010	187618-5	HOUSING SET		1		100		
C10	263005-3	RUBBER PIN 6		2		100		
D10		INC. 24						
011	418821-0	LENS		1		100		
012	620180-2	SUB CONTROLLER		1		100		
013	225097-0	SYNCHRO BELT 4-176		1		100		
014	142038-0	SPUR GEAR 9A COMPLETE		1		100		
016	454230-9	LENS		1		100		
018	126253-4	GEAR ASSEMBLY		1		100		
D10		INC. 25-46						
019	142066-5	MOTOR COMPLETE		1		100		
020	643860-3	TERMINAL		1		100		
021	632A61-4	CONTROLLER UNIT		1	*	100		
C10	688172-7	LINE FILTER		1	*			
021-1	632L34-3	CONTROLLER UNIT	O	1				
C10	688172-7	LINE FILTER		1				
022	650632-9	SWITCH		1		152		
023	451162-1	LOCK LEVER		1		100		
024	187618-5	HOUSING SET		1		100		

Model No. DCG180 CORDLESS CAULKING GUN

Item	Parts No.	Description	I/C	QTY	N/O	Opt. 1	Opt. 2	NOTE
C10	263005-3	RUBBER PIN 6		2		100		
D10		INC. 10						
025	961011-9	STOP RING E-4		1		100		
026	267465-1	FLAT WASHER 5		1		100		
027	227311-0	SPUR GEAR 19B		3		100		
028	227309-7	INTERNAL GEAR 48		1		100		
029	454220-2	SPACER		1	*	100		
029-1	144375-8	SPACER COMPLETE	S	1				
030	213768-1	OIL SEAL 30		1	*	100		
031	211294-4	BALL BEARING 6806LLU		1		100		
032	141860-2	CARRIER A COMPLETE		1		100		
033	313253-5	CARRIER B		1		100		
034	256255-7	PIN 3		9		100		
035	227312-8	SPUR GEAR 10		1		100		
036	211482-3	BALL BEARING 6803LLU		1		100		
037	454219-7	GEAR HOUSING		1		100		
038	313257-7	MAGNET		1		100		
039	141859-7	SPUR GEAR 9C COMPLETE		1		100		
040	227309-7	INTERNAL GEAR 48		1		100		
041	227310-2	SPUR GEAR 19A		3		100		
042	141858-9	SPUR GEAR 9B COMPLETE		1		100		
043	227310-2	SPUR GEAR 19A		3		100		
044	267466-9	FLAT WASHER 12		1		100		
045	266429-2	TAPPING SCREW 3X16		3		100		
046	346721-3	PLATE 23		1		100		
047	234315-5	COMPRESSION SPRING 6		1		100		
048F	318958-2	HOLDER JOINT B		1		100		
048H	318958-2	HOLDER JOINT B		1		100		
048I	318958-2	HOLDER JOINT B		1		100		
048J	318958-2	HOLDER JOINT B		1		100		
A01	195246-2	SAFETY GOGGLE		1				
A02F	123221-8	PISTON C ASSEMBLY		1		100		
A02G	***DC18RC	DC18RC FAST CHARGER		1				
A02H	123221-8	PISTON C ASSEMBLY		1		100		
A02I	123221-8	PISTON C ASSEMBLY		1		100		
A02J	123221-8	PISTON C ASSEMBLY		1		100		
A03F	142071-2	PISTON A COMPLETE		1		100		
A03G	194204-5	BATTERY BL1830 SET		1	*			
A03H	142071-2	PISTON A COMPLETE		1		100		
A03I	142071-2	PISTON A COMPLETE		1		100		
A03J	142071-2	PISTON A COMPLETE		1		100		
A03-1G	194204-5	BATTERY BL1830 SET	O	1	*			
A03-2G	197600-6	BATTERY BL1830B SET	<	1				
A04F	266827-0	PAN HEAD SCREW M3X18 WITH WR		2		100		
A04G	821568-1	PLASTIC CASE		1				
C10	162271-8	LATCH		2		100		
A04H	266827-0	PAN HEAD SCREW M3X18 WITH WR		2		100		
A04I	266827-0	PAN HEAD SCREW M3X18 WITH WR		2		100		

