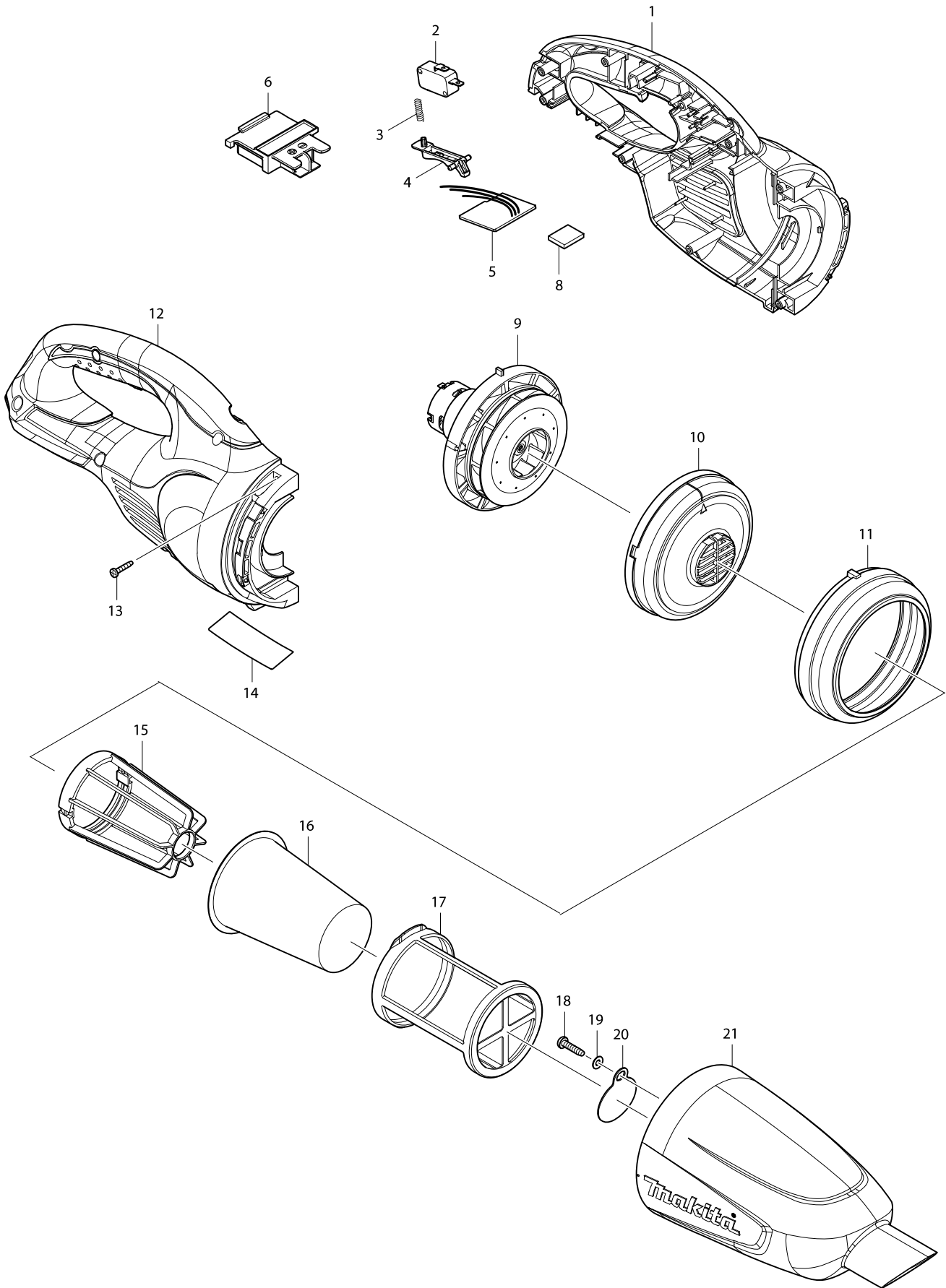


Model No. DCL180 CORDLESS CLEANER



Model No. DCL180 CORDLESS CLEANER

| Item | Parts No. | Description | I/C | QTY | N/O | Opt. 1 | Opt. 2 | NOTE |
|--------|-----------|-----------------------|-----|-----|-----|--------|--------|------|
| C10 | 424209-4 | SPONGE SHEET 50-50 | | 2 | | 100 | | |
| D10 | | INC. 12 | | | | | | |
| 001F | 187458-1 | HOUSING SET | | 1 | | 100 | | |
| 001G | 187460-4 | HOUSING SET | | 1 | | | | |
| 002 | 651891-8 | SWITCH V-15-3A6 | | 1 | | 100 | | |
| 003 | 231473-8 | COMPRESSION SPRING 4 | | 1 | | 100 | | |
| 004 | 451227-9 | SWITCH LEVER | | 1 | | 100 | | |
| 005 | 638935-1 | CONTROLLER UNIT | | 1 | * | 100 | | |
| 005-1 | 632F98-1 | CONTROLLER UNIT | < | 1 | | | | |
| 006 | 643860-3 | TERMINAL | | 1 | | 100 | | |
| 008 | 424248-4 | SPONGE SHEET 15-25 | | 1 | | 100 | | |
| 009 | 125867-6 | MOTOR ASS'Y | | 1 | | 100 | | |
| C10 | 452455-9 | BASE | | 1 | | 100 | | |
| C20 | 265199-0 | + PAN HEAD SCREW M3X8 | | 2 | | 100 | | |
| C30 | 240102-2 | FAN 82 | | 1 | | 100 | | |
| 010 | 416030-5 | FAN COVER | | 1 | | 100 | | |
| 011 | 424320-2 | RUBBER RING | | 1 | | 100 | | |
| C10 | 424209-4 | SPONGE SHEET 50-50 | | 2 | | 100 | | |
| D10 | | INC. 1 | | | | | | |
| 012F | 187458-1 | HOUSING SET | | 1 | | 100 | | |
| 012G | 187460-4 | HOUSING SET | | 1 | | | | |
| 013 | 266429-2 | TAPPING SCREW 3X16 | | 7 | | 100 | | |
| 014 | 815F73-4 | DCL180 NAME PLATE | | 1 | | | | |
| 015 | 410237-5 | STAY | | 1 | | 100 | | |
| 016 | 443060-3 | FILTER | | 1 | | 100 | | |
| 017 | 451208-3 | PRE-FILTER | | 1 | | 100 | | |
| 018 | 265995-6 | TAPPING SCREW 4X18 | | 1 | | 100 | | |
| 019 | 941051-3 | FLAT WASHER 4 | | 1 | | 100 | | |
| 020 | 424208-6 | VALVE | | 1 | | 100 | | |
| 021F | 451235-0 | CAPSULE | | 1 | | 100 | | |
| 021G | 451226-1 | CAPSULE | | 1 | | | | |
| 022 | 424308-2 | SPONGE SHEET 50-36 | | 1 | | 100 | | |
| C10 | 451410-8 | ROLLER | | 4 | * | | | |
| C20 | 268208-4 | PIN 3 | | 4 | * | 100 | | |
| C30 | 424096-1 | WIPER | | 1 | * | | | |
| A01F | 122859-6 | NOZZLE ASS'Y | | 1 | * | | | |
| A01G | 122858-8 | NOZZLE ASS'Y | | 1 | * | | | |
| C10 | 451410-8 | ROLLER | | 4 | | | | |
| C20 | 268208-4 | PIN 3 | | 4 | | 100 | | |
| C30 | 424096-1 | WIPER | | 1 | | | | |
| A01-1F | 123488-8 | NOZZLE ASSEMBLY | < | 1 | | | | |
| A01-1G | 123486-2 | NOZZLE ASSEMBLY | < | 1 | | | | |
| A02F | 451243-1 | SASH NOZZLE | | 1 | | | | |
| A02G | 451240-7 | SASH NOZZLE | | 1 | | | | |
| A03F | 451244-9 | PIPE | | 1 | | | | |
| A03G | 451241-5 | PIPE | | 1 | | | | |
| A04F | 451245-7 | SASH NOZZLE HOLDER | | 1 | | | | |
| A04G | 451242-3 | SASH NOZZLE HOLDER | | 1 | | | | |