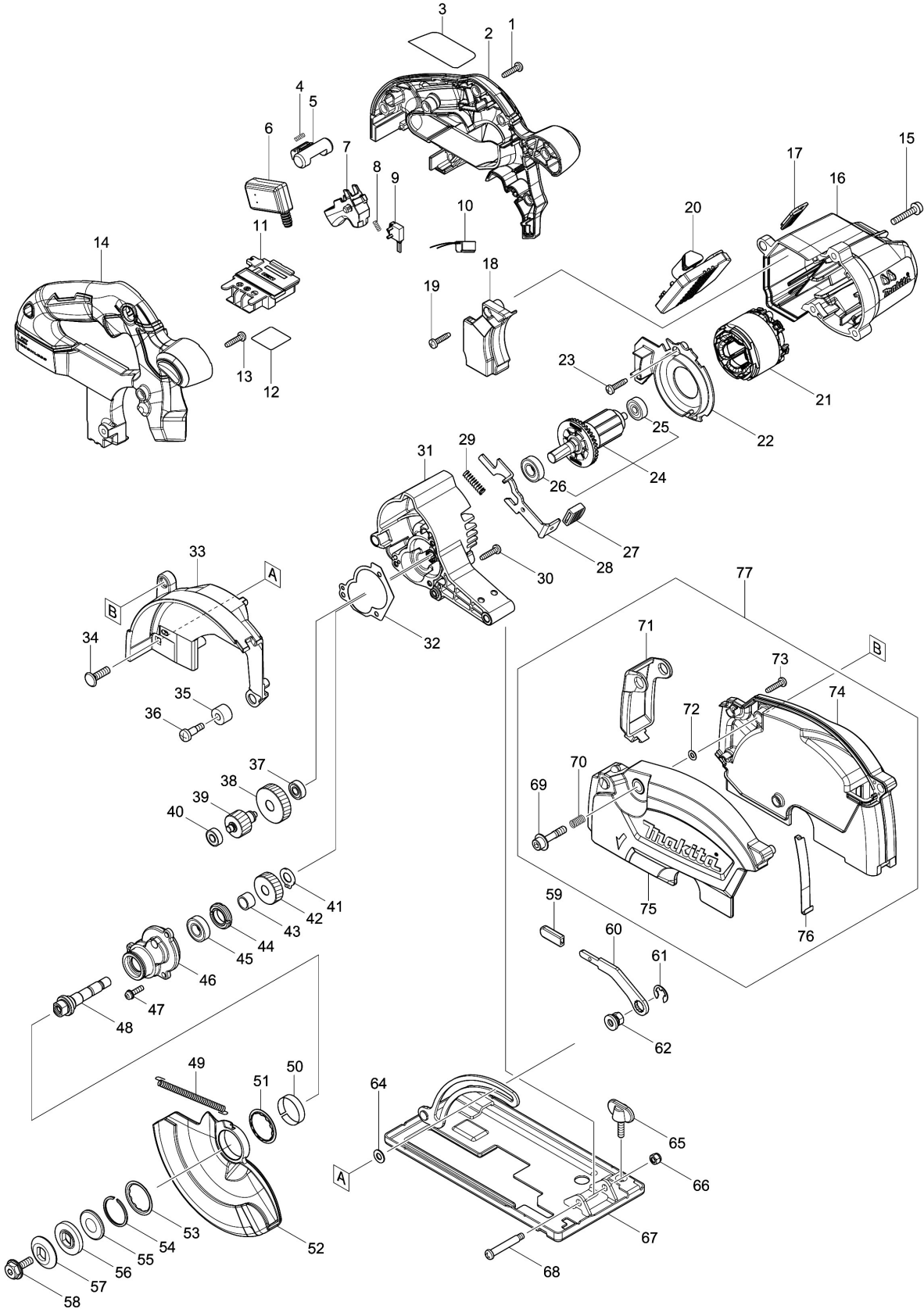


Model No.DCS553 150MM CORDLESS METAL CUTTER



Model No.DCS553 150MM CORDLESS METAL CUTTER

Item	Parts No.	Description	I/C	QTY	New/Old	Opt. 1	Opt. 2	NOTE
001	265995-6	TAPPING SCREW 4X18		6		100		
002	183K13-3	HANDLE SET		1				
C10	263005-3	RUBBER PIN 6		2		100		
D10		INC. 14						
003	854S64-8	DCS553 NAME PLATE		1				
004	231433-0	COMPRESSION SPRING 4		1		100		
005	419704-7	LOCK OFF BUTTON		1		100		
006	651083-9	SWITCH C3XA-1PSPM		1				
007	458594-3	SWITCH LEVER		1				
008	231433-0	COMPRESSION SPRING 4		1		100		
009	632M68-2	SWITCH UNIT		1				
010	620936-3	LED CIRCUIT		1				
011	643874-2	TERMINAL		1				
012	854S72-9	DCS553 SERIAL NO. LABEL		1				
013	265995-6	TAPPING SCREW 4X18		2		100		
014	183K13-3	HANDLE SET		1				
C10	263005-3	RUBBER PIN 6		2		100		
D10		INC. 2						
015	911253-5	PAN HEAD SCREW M5X30		3		100		
016	458656-7	MOTOR HOUSING		1				
017	144251-6	INDICATION PLATE COMPLETE		1				
018	458657-5	MOTOR HOUSING COVER		1				
019	265995-6	TAPPING SCREW 4X18		1		100		
020	620938-9	CONTROLLER		1				
021	629368-1	STATOR		1				
022	458658-3	BAFFLE PLATE		1				
023	265995-6	TAPPING SCREW 4X18		2		100		
024	519530-5	ROTOR ASS'Y		1				
D10		INC. 25,26						
025	210022-4	BALL BEARING 626DDW		1		100		
026	210069-8	BALL BEARING 6900DDW		1		100		
027	286039-9	CAP		1				
028	346885-3	SHAFT LOCK		1				
029	233117-6	COMPRESSION SPRING 6		1		100		
030	265995-6	TAPPING SCREW 4X18		2		100		
031	140D79-4	GEAR HOUSING COMPLETE		1				
C10	213961-7	O RING 22		1		100		
032	424715-9	GASKET		1				
033	458661-4	BLADE CASE		1				
034	266737-1	FLAT HEAD SQ. NECK BOLT M6X20		1		100		
035	262511-5	RUBBER SLEEVE 6		1		100		
036	265115-2	+ PAN HEAD SCREW M5		1		100		
037	210065-6	BALL BEARING 625ZZ		1				
038	227809-7	HERICAL GEAR 30		1				

Please order the parts with part number.

Print Date 11/3/2019

Model No.DCS553 150MM CORDLESS METAL CUTTER

Item	Parts No.	Description	I/C	QTY	New/Old	Opt. 1	Opt. 2	NOTE
039	227807-1	HERICAL GEAR 17		1				
040	210033-9	BALL BEARING 696ZZ		1		100		
041	961005-4	RETAINING RING S-9		1		100		
042	227808-9	HERICAL GEAR 24		1				
043	257728-3	SLEEVE 10		1				
044	285847-5	BEARING RETAINER 14-23		1		100		
045	210069-8	BALL BEARING 6900DDW		1		100		
046	143228-8	BEARING BOX COMPLETE		1				
C10	263002-9	RUBBER PIN 4		1		100		
047	911128-8	P.H.SCREW M4X16 WITH WR		3		100		
048	326540-3	SPINDLE		1				
049	231792-2	TENSION SPRING 3		1		100		
050	345470-9	THICKNESS RING		1		100		
051	345739-1	SPACER		1		100		
052	140C92-6	SAFETY COVER COMPLETE		1				
053	345739-1	SPACER		1		100		
054	257938-2	RETAINING RING(EXT) WR-26		1		100		
055	267802-9	CUP WASHER 13		1		100		
056	224391-7	INNER FLANGE 30		1		100		
057	224404-4	OUTER FLANGE 30		1		100		
058	266925-0	HEX.SOCKET HEX.BOLT M6X18		1				
059	286036-5	CAP		1				
060	347418-7	LEVER PLATE		1				
061	257982-9	BOW STOP RING E-8		1		100		
062	252265-2	HEX. NUT M6		1				
064	941151-9	FLAT WASHER 6		1		100		
065	251896-4	SCREW M5X20		1		100		
066	252103-8	HEX. LOCK NUT M5-8		1		100		
067	162468-9	BASE		1				
068	265056-2	+ PAN HEAD SCREW M5		1		100		
069	265676-2	H.S.H.B M6X29		1				
070	233267-7	COMPRESSION SPRING 7		1		100		
071	458652-5	DUST CAP		1				
072	213005-3	O RING 5		1		100		
073	265995-6	TAPPING SCREW 4X18		4		100		
074	458659-1	DUST BOX L		1				
075	458660-6	DUST BOX R		1				
076	347417-9	PLATE		1				
077	127011-1	DUST BOX ASSEMBLY		1	*			
D10		INC. 69-76			*			
077-1	127011-1	DUST BOX ASSEMBLY	O	1	*			
C10	162559-6	GUIDE PLATE		1	*			
D10		INC. 69-76			*			
077-2	136069-9	DUST BOX ASSEMBLY	O	1				
C10	162559-6	GUIDE PLATE		1				

Please order the parts with part number.

Print Date 11/3/2019

Model No.DCS553 150MM CORDLESS METAL CUTTER

Item	Parts No.	Description	I/C	QTY	New/Old	Opt. 1	Opt. 2	NOTE
D10		INC. 69-76						
A01	192219-6	SAFETY GOGGLE		1	*			
A02	783203-8	HEX. WRENCH 5		1				
A03	B-46296	T.C.T SAW BLADE 150X20X32T		1				
A04	164095-8	GUIDE RULE		1				
A08	821551-8	CONNECTOR PLASTIC CASE (TYPE3)		1				
C10	453974-8	LATCH		4		100		
A09	839751-6	INNER TRAY		1				
A10	817Y83-1	DCS553ZJ INDICATION LABEL		1				
A11	817Y84-9	DCS553ZJ PLASTIC CASE LABEL		2				

Please order the parts with part number.

Print Date 11/3/2019