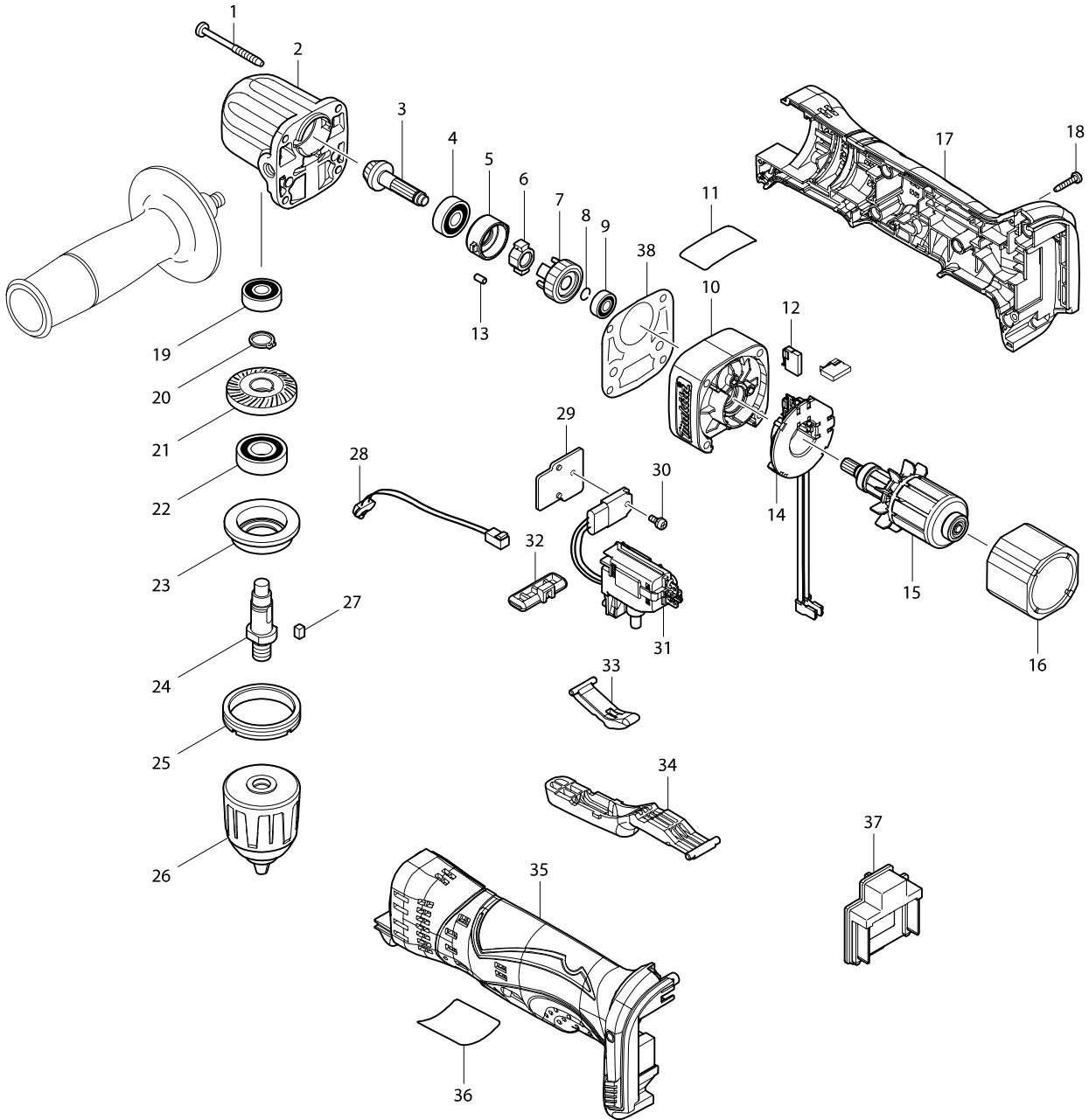


Model No. DDA351 CORDLESS ANGLE DRILL 10MM



Model No. DDA351 CORDLESS ANGLE DRILL 10MM

Item	Parts No.	Description	I/C	QTY	N/O	Opt. 1	Opt. 2	NOTE
001	266069-6	TAPPING SCREW 4X45		4		100		
002	317634-5	GEAR HOUSING		1		100		
003	227538-2	SPIRAL BEVEL GEAR 9		1		100		
004	210029-0	BALL BEARING 608ZZ		1		100		
005	324930-4	LOCK RING		1		100		
006	331647-2	LOCK CAM		1		100		
007	227221-1	SPUR GEAR 29		1		100		
008	231956-8	RING SPRING 6		1		100		
009	210033-9	BALL BEARING 696ZZ		1		100		
010	450607-6	GEAR HOUSING COVER		1		100		
012	194427-5	CARBON BRUSH CB-440		1		100		
013	268100-4	PIN 3.5		2		100		
014	539202-6	BRUSH HOLDER ASSY		1		100		
D10		INC. 12						
015	619234-0	ARMATURE		1		151		
016	638613-3	YOKE UNIT		1		100		
017	187130-5	HOUSING SET		1		100		
D10		INC. 35						
018	266130-9	TAPPING SCREW BIND PT 3X16		5		100		
019	210029-0	BALL BEARING 608ZZ		1		100		
020	961052-5	RETAINING RING S-12		1		100		
021	227537-4	SPIRAL BEVEL GEAR 26		1		100		
022	211131-2	BALL BEARING 6001DDW		1		100		
023	317633-7	BEARING BOX		1		100		
024	324329-3	SPINDLE		1		100		
025	285842-5	BEARING RETAINER 36-43		1		100		
026	766005-7	KEYLESS DRILL CHUCK 10		1				
027	254201-4	KEY 4		1		100		
028	631814-2	LED CIRCUIT		1		100		
029	689098-6	HEAT SINK		1		100		
030	911006-2	PAN HEAD SCREW M3X8		1		100		
031	632B90-3	SWITCH UNIT		1		100		
032	450610-7	F/R CHANGE LEVER		1		100		
033	450609-2	LINK		1		100		
034	450608-4	SWITCH LAVER		1		100		
035	187130-5	HOUSING SET		1		100		
D10		INC. 17						
036	815P82-3	DDA351 NAME PLATE		1				
037	644808-8	TERMINAL		1		100		
038	418036-9	GASKET		1		100		
A01	153489-2	GRIP 36 COMPLETE		1				
A02G	***DC18RC	DC18RC FAST CHARGER		1				
A02H	***DC18RC	DC18RC FAST CHARGER		1				
A02J	***DC18RC	DC18RC FAST CHARGER		1				
A03G	194204-5	BATTERY BL1830 SET		2	*			
A03H	194204-5	BATTERY BL1830 SET		2	*			
A03-1G	194204-5	BATTERY BL1830 SET	O	2	*			
A03-1H	194204-5	BATTERY BL1830 SET	O	2	*			

