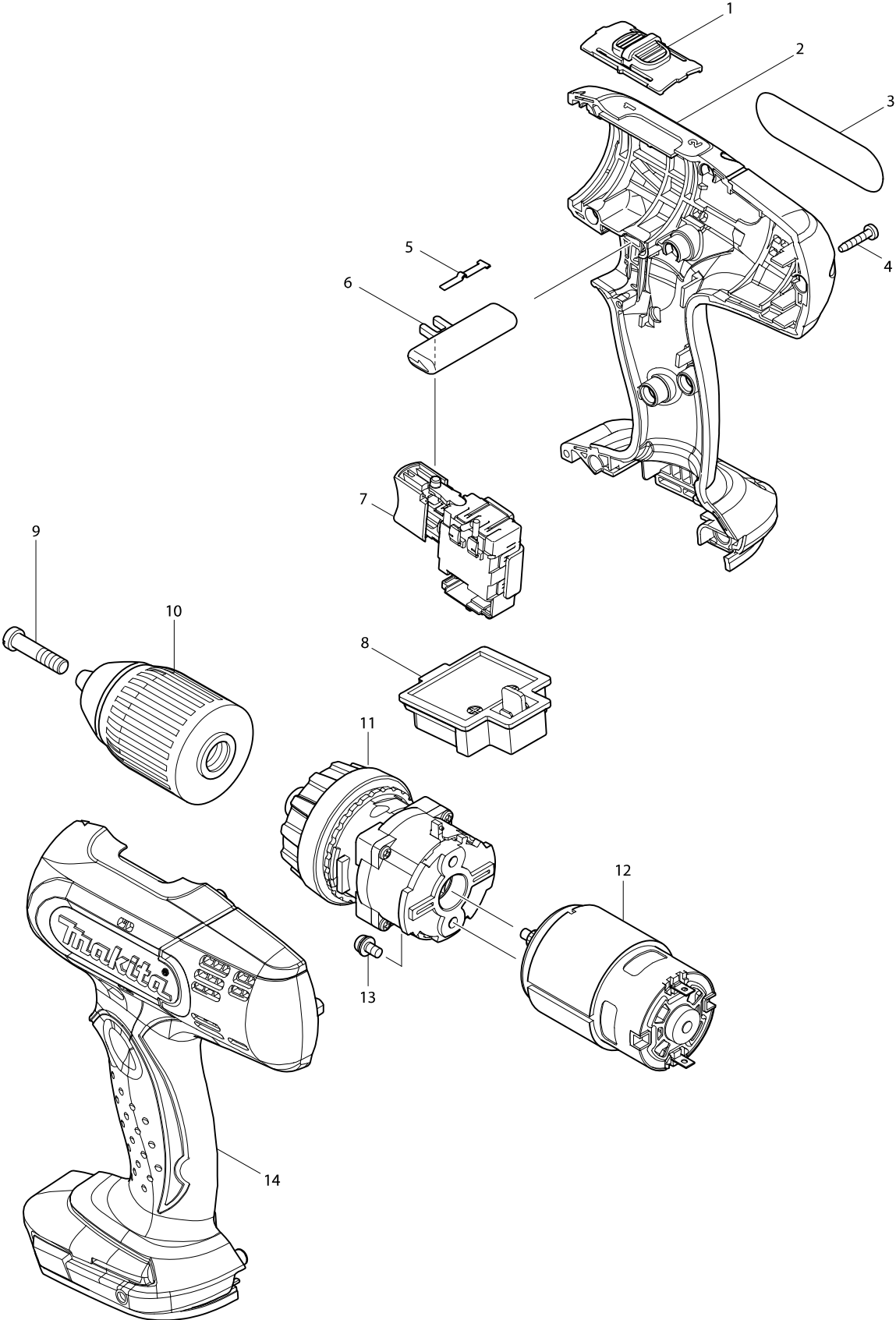


Model No. DDF453 CORDLESS DRIVER DRILL 13MM



Model No. DDF453 CORDLESS DRIVER DRILL 13MM

Item	Parts No.	Description	I/C	QTY	N/O	Opt. 1	Opt. 2	NOTE
001	125310-5	SPEED CHANGE LEVER ASS'Y		1	100			
C10	231433-0	COMPRESSION SPRING 4		2	100			
002	187363-2	HOUSING SET		1	100			
D10		INC. 14						
003	815G82-9	DDF453 NAME PLATE		1	100			
004	266130-9	TAPPING SCREW BIND PT 3X16		9	100			
005	232182-2	LEAF SPRING		1	100			
006	419250-0	F/R CHANGE LEVER		1	100			
007	632A23-2	SWITCH UNIT		1	100			
008	643852-2	TERMINAL		1	100			
009	251468-5	- FLAT HEAD SCREW M6X22		1	100			
010	766004-9	KEYLESS DRILL CHUCK 13		1				
011	125483-4	GEAR ASS'Y		1	100			
012	629937-8	DC MOTOR		1	100			
013	911108-4	PAN HEAD SCREW M4X8		2	100			
014	187363-2	HOUSING SET		1	100			
D10		INC. 2						
A01	784636-0	+- BIT 2-65		1				
A02E	***DC18RC	DC18RC FAST CHARGER		1				
A02G	***DC18RC	DC18RC FAST CHARGER		1				
A02H	***DC18SD	DC18SD BATTERY CHARGER		1				
A03E	194204-5	BATTERY BL1830 SET		2	*			
A03G	196460-3	BATTERY BL1820 SET		2	*			
A03H	196235-0	BATTERY BL1815N SET		2	*			
A03-1E	194204-5	BATTERY BL1830 SET	O	2	*			
A03-1G	197254-9	BATTERY BL1820B SET	<	2				
A03-1H	196235-0	BATTERY BL1815N SET	O	2				
A03-2E	197600-6	BATTERY BL1830B SET	<	2				
A04E	450128-8	BATTERY COVER		1				
A04G	450128-8	BATTERY COVER		1				
A04H	450128-8	BATTERY COVER		1				
A05E	158777-2	PLASTIC CARRYING CASE		1				
C10	163455-1	LATCH		2				
C20	419360-3	HANDLE		1	100			
A05G	158777-2	PLASTIC CARRYING CASE		1				
C10	163455-1	LATCH		2				
C20	419360-3	HANDLE		1	100			
A05H	821550-0	CONNECTOR PLASTIC CASE (TYPE2)		1				
C10	453974-8	LATCH		4	100			
A06H	837863-9	INNER TRAY		1	100			
A07H	803B07-5	DDF453SYJ PLASTIC CASE LABEL		2	100			
A08H	803B06-7	DDF453SYJ INDICATION LABEL		1	100			
E02	688165-4	LINE FILTER		1	100			