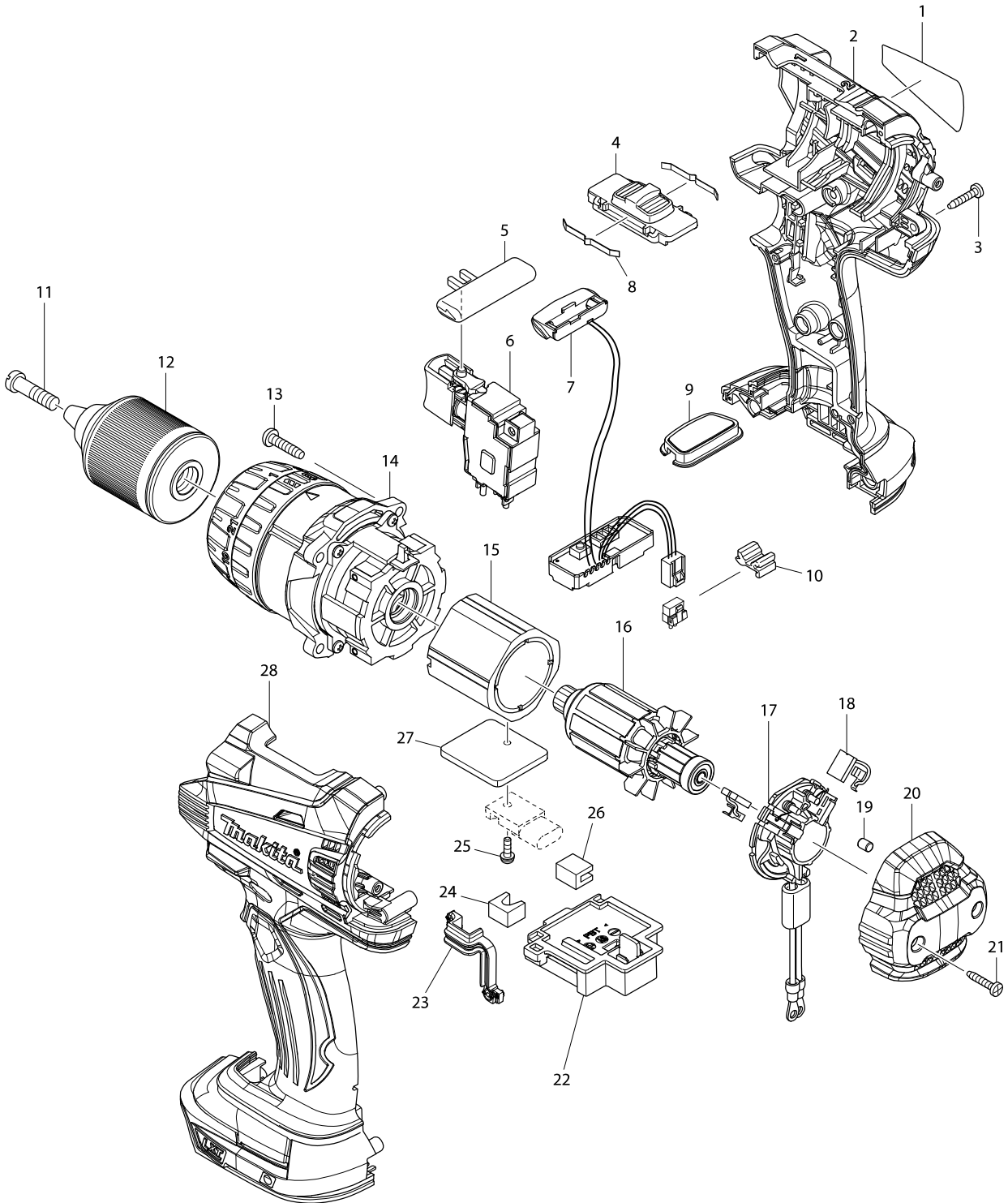


Model No. DDF448 CORDLESS DRIVER DRILL



Model No. DDF448 CORDLESS DRIVER DRILL

Item	Parts No.	Description	I/C	QTY	N/O	Opt. 1	Opt. 2	NOTE
001	815P70-0	DDF448 NAME PLATE		1				
002	187430-3	HOUSING SET		1		100		
C10	263005-3	RUBBER PIN 6		2		100		
C20	252126-6	HEX. LOCKING NUT M4-7		2		100		
D10		INC. 28						
003	266130-9	TAPPING SCREW BIND PT 3X16		7		100		
004	126100-9	SPEED CHANGE LEVER ASSEMBLY		1		100		
C10	233438-6	COMPRESSION SPRING 4		2		100		
005	419250-0	F/R CHANGE LEVER		1		100		
006	650724-4	SWITCH TG573FSB-3		1		100		
007	620137-3	LIGHT CIRCUIT		1		100		
008	232220-0	LEAF SPRING		2		100		
009	140963-9	SWITCH PLATE COMPLETE		1		100		
010	424476-1	CUSHION		1		100		
011	251468-5	- FLAT HEAD SCREW M6X22		1		100		
012	766015-4	KEYLESS DRILL CHUCK 13		1		100		
013	265995-6	TAPPING SCREW 4X18		4		100		
014	126098-0	GEAR ASSEMBLY		1		100		
015	638989-8	YOKE UNIT		1		100		
016	619299-2	ARMATURE		1		151		
017	638991-1	BRUSH HOLDER COMPLETE		1		100		
C10	688172-7	LINE FILTER		1				
018	194427-5	CARBON BRUSH CB-440		1		100		
019	263032-0	RUBBER PIN 4		2		100		
020	453394-6	REAR COVER		1		100		
021	266130-9	TAPPING SCREW BIND PT 3X16		2		100		
022	643866-1	TERMINAL		1		100		
023	424430-5	SEAL		1		100		
024	423422-1	SPONGE A		1		100		
025	911013-5	PAN HEAD SCREW M3X10		1		100		
026	423423-9	SPONGE B		1		100		
027	689176-2	HEAT SINK		1		100		
028	187430-3	HOUSING SET		1		100		
C10	263005-3	RUBBER PIN 6		2		100		
C20	252126-6	HEX. LOCKING NUT M4-7		2		100		
D10		INC. 2						
A01	123258-5	GRIP ASSEMBLY		1				
C10	154935-8	GRIP 36 COMPLETE		1				
C20	266899-5	SQUARE BOLT M8X140		1				
C30	346566-9	GRIP SPRING 60		1		100		
C40	455189-3	GRIP BASE 60		1				
A02	251314-2	+ SCREW M4X12		2		100		
A03	346317-0	HOOK		1				
A04	452947-8	BIT HOLDER		1				
A05	784637-8	+- BIT 2-45		2				
A06F	***DC18RC	DC18RC FAST CHARGER		1				
A06G	***DC18RC	DC18RC FAST CHARGER		1				
A06I	***DC18RC	DC18RC FAST CHARGER		1				

Model No. DDF448 CORDLESS DRIVER DRILL

Item	Parts No.	Description	I/C	QTY	N/O	Opt. 1	Opt. 2	NOTE
A07F	194065-3	BATTERY BL1430 SET		2	*			
A07G	194065-3	BATTERY BL1430 SET		2	*			
A07I	196388-5	BATTERY BL1440 SET		2	*			
A07-1F	194065-3	BATTERY BL1430 SET	O	2	*			
A07-1G	194065-3	BATTERY BL1430 SET	O	2	*			
A07-1I	196388-5	BATTERY BL1440 SET	O	2				
A07-2F	197616-1	BATTERY BL1430B SET	<	2				
A07-2G	197616-1	BATTERY BL1430B SET	<	2				
A08F	450128-8	BATTERY COVER		1				
A08G	450128-8	BATTERY COVER		1				
A08I	450128-8	BATTERY COVER		1				
A09F	821524-1	PLASTIC CARRYING CASE		1				
C10	162302-3	LATCH		2		100		
C20	325809-2	SHAFT		1		100		
C30	451749-9	HANDLE		1				
C40	453473-0	PLASTIC CASE LID		1				
A09G	821550-0	CONNECTOR PLASTIC CASE (TYPE2)		1				
C10	453974-8	LATCH		4		100		
A09H	821550-0	CONNECTOR PLASTIC CASE (TYPE2)		1				
C10	453974-8	LATCH		4		100		
A09I	821550-0	CONNECTOR PLASTIC CASE (TYPE2)		1				
C10	453974-8	LATCH		4		100		
A10F	803U95-6	DDF448RFE PLASTIC CASE LABEL		2	*			
A10G	837916-4	INNER TRAY		1				
A10H	837916-4	INNER TRAY		1				
A10I	837916-4	INNER TRAY		1				
A10-1F	803U94-8	DDF448RFE PLASTIC CASE LABEL	<	2				
A11G	803U96-4	DDF448RFJ PLASTIC CASE LABEL		2				
A11H	803U97-2	DDF448ZJ PLASTIC CASE LABEL		2				
A11I	803V04-1	DDF448RMJ PLASTIC CASE LABEL		2				
A12G	803V00-9	DDF448RFJ INDICATION LABEL		1				
A12H	803V01-7	DDF448ZJ INDICATION LABEL		1				
A12I	803V05-9	DDF448RMJ INDICATION LABEL		1				