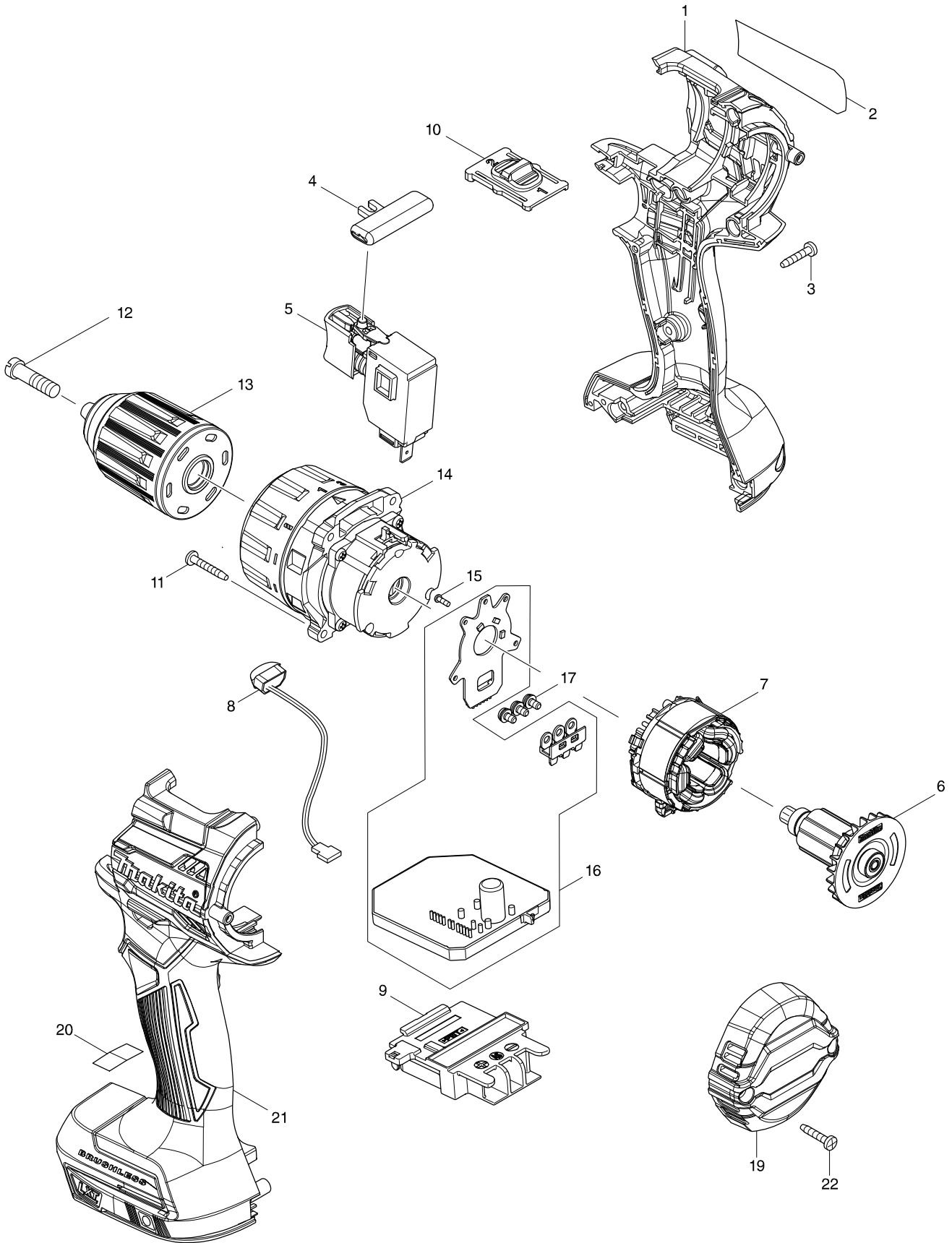


# Model No. DDF484 CORDLESS DRIVER DRILL



# Model No. DDF484 CORDLESS DRIVER DRILL

| Item | Parts No. | Description                    | I/C | QTY | N/O | Opt. 1 | Opt. 2 | NOTE |
|------|-----------|--------------------------------|-----|-----|-----|--------|--------|------|
| 001  | 183E71-3  | HOUSING SET                    |     | 1   |     |        |        |      |
| C10  | 263005-3  | RUBBER PIN 6                   |     | 2   |     | 100    |        |      |
| C20  | 252126-6  | HEX. LOCKING NUT M4-7          |     | 2   |     | 100    |        |      |
| D10  |           | INC. 21                        |     |     |     |        |        |      |
| 002  | 852M14-1  | DDF484 NAME PLATE              |     | 1   |     |        |        |      |
| 003  | 266429-2  | TAPPING SCREW 3X16             |     | 7   |     | 100    |        |      |
| 004  | 419041-9  | F/R CHANGE LEVER               |     | 1   |     | 100    |        |      |
| 005  | 650710-5  | SWITCH C3JW-4B                 |     | 1   |     | 100    |        |      |
| 006  | 619406-7  | ROTOR                          |     | 1   |     |        |        |      |
| 007  | 629225-3  | STATOR                         |     | 1   |     |        |        |      |
| 008  | 620549-0  | LED CIRCUIT                    |     | 1   |     |        |        |      |
| 009  | 643874-2  | TERMINAL                       |     | 1   |     |        |        |      |
| 010  | 123738-1  | SPEED CHANGE LEVER ASSEMBLY    |     | 1   |     |        |        |      |
| C10  | 233438-6  | COMPRESSION SPRING 4           |     | 2   |     | 100    |        |      |
| 011  | 251497-8  | TAPPING SCREW 3X20             |     | 4   |     |        |        |      |
| 012  | 251468-5  | - FLAT HEAD SCREW M6X22        |     | 1   |     | 100    |        |      |
| 013  | 766027-7  | KEYLESS DRILL CHUCK 13         |     | 1   |     |        |        |      |
| 014  | 123737-3  | GEAR ASSEMBLY                  |     | 1   |     |        |        |      |
| 015  | 266490-9  | TAPPING SCREW PT 2X6           |     | 3   |     |        |        |      |
| 016  | 620548-2  | CONTROLLER                     |     | 1   |     |        |        |      |
| 017  | 652069-6  | FLAT HEAD SCREW M3X6           |     | 3   |     |        |        |      |
| 019  | 456967-4  | REAR COVER                     |     | 1   |     |        |        |      |
| 021  | 183E71-3  | HOUSING SET                    |     | 1   |     |        |        |      |
| C10  | 263005-3  | RUBBER PIN 6                   |     | 2   |     | 100    |        |      |
| C20  | 252126-6  | HEX. LOCKING NUT M4-7          |     | 2   |     | 100    |        |      |
| D10  |           | INC. 1                         |     |     |     |        |        |      |
| 022  | 266429-2  | TAPPING SCREW 3X16             |     | 2   |     | 100    |        |      |
| A01  | 251314-2  | + SCREW M4X12                  |     | 1   |     | 100    |        |      |
| A02  | 346317-0  | HOOK                           |     | 1   |     |        |        |      |
| A03  | 784637-8  | +- BIT 2-45                    |     | 1   |     |        |        |      |
| A04B | 821550-0  | CONNECTOR PLASTIC CASE (TYPE2) |     | 1   |     |        |        |      |
| C10  | 453974-8  | LATCH                          |     | 4   |     | 100    |        |      |
| A04D | 821550-0  | CONNECTOR PLASTIC CASE (TYPE2) |     | 1   |     |        |        |      |
| C10  | 453974-8  | LATCH                          |     | 4   |     | 100    |        |      |
| A04E | 821550-0  | CONNECTOR PLASTIC CASE (TYPE2) |     | 1   |     |        |        |      |
| C10  | 453974-8  | LATCH                          |     | 4   |     | 100    |        |      |
| A05B | 450128-8  | BATTERY COVER                  |     | 1   |     |        |        |      |
| A05D | 450128-8  | BATTERY COVER                  |     | 1   |     |        |        |      |
| A05E | 450128-8  | BATTERY COVER                  |     | 1   |     |        |        |      |
| A06B | ***DC18RC | DC18RC FAST CHARGER            |     | 1   |     |        |        |      |
| D10  |           | COMPO-PARTS                    |     |     |     |        |        |      |
| A06D | ***DC18RC | DC18RC FAST CHARGER            |     | 1   |     |        |        |      |
| D10  |           | COMPO-PARTS                    |     |     |     |        |        |      |
| A06E | ***DC18RC | DC18RC FAST CHARGER            |     | 1   |     |        |        |      |
| D10  |           | COMPO-PARTS                    |     |     |     |        |        |      |
| A07B | 197600-6  | BATTERY BL1830B SET            |     | 2   |     |        |        |      |
| A07D | 197265-4  | BATTERY BL1840B SET            |     | 2   |     |        |        |      |
| A07E | 197280-8  | BATTERY BL1850B SET            |     | 2   |     |        |        |      |

