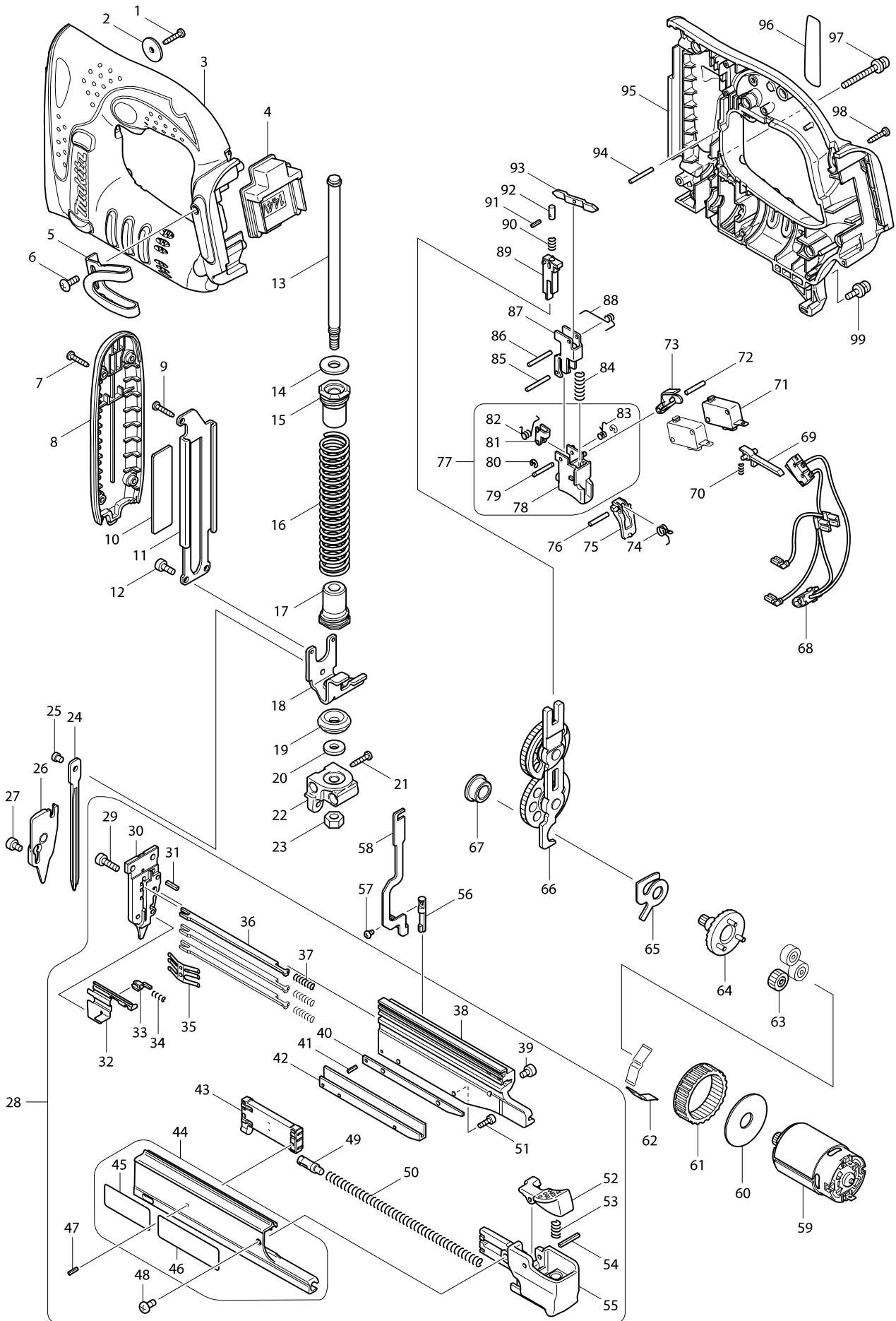


Model No. DPT350 CORDLESS PIN NAILER



Model No. DPT350 CORDLESS PIN NAILER

Item	Parts No.	Description	I/C	QTY	N/O	Opt. 1	Opt. 2	NOTE
001	266130-9	TAPPING SCREW BIND PT 3X16		1	100			
002	267071-2	FLAT WASHER 4		1	100			
003	187888-6	HOUSING SET		1				
D10		INC. 95						
004	643828-9	TERMINAL		1	100			
005	346317-0	HOOK		1				
006	251314-2	+ SCREW M4X12		1	100			
007	266130-9	TAPPING SCREW BIND PT 3X16		4	100			
008	419450-2	FRONT COVER		1	100			
009	266130-9	TAPPING SCREW BIND PT 3X16		1	100			
010	345704-0	UPPER PLATE		1	100			
011	345703-2	RAIL		1	100			
012	922112-8	HEX. SOCKET HEAD BOLT M4X10		2	100			
013	324683-5	GUIDE BOLT		1	100			
014	253762-1	FLAT WASHER 8		1	100			
015	421962-3	SPRING HOLDER		1	100			
016	233472-6	COMPRESSION SPRING 17		1	100			
017	421962-3	SPRING HOLDER		1	100			
018	345701-6	HAMMER		1	100			
019	421956-8	CUSHION		1	100			
020	253804-1	FLAT WASHER 6		1	100			
021	266130-9	TAPPING SCREW BIND PT 3X16		1	100			
022	318025-3	HOLDER		1	100			
023	931302-2	HEX. NUT M6		1	100			
024	345702-4	DRIVER		1	100			
025	268157-5	PIN 4		1	100			
026	168430-2	DRIVER GUIDE COVER		1	100			
027	922102-1	HEX. SOCKET HEAD BOLT M4X6		2	100			
028	135372-5	MAGAZINE ASSEMBLY		1	100			
D10		INC. 29-44,48-55,100,101						
029	922122-5	HEX.SOCKET HEAD BOLT M4X14		1	100			
030	310173-4	DRIVER GUIDE		1	100			
031	951054-9	SPRING PIN 3-10		2	100			
032	345699-7	PUSHER		1	100			
033	310176-8	STOPPER		1	100			
034	233018-8	COMPRESSION SPRING 3		1	100			
035	232229-2	LEAF SPRING		1	100			
036	346239-4	NAIL STOPPER		3	100			
037	233476-8	COMPRESSION SPRING 4		3	100			
038	318024-5	MAGAZINE		1	100			
039	922102-1	HEX. SOCKET HEAD BOLT M4X6		1	100			
040	345696-3	SPACER		1	100			
041	951001-0	SPRING PIN 2-8		1	100			
042	318023-7	LOWER RAIL		1	100			
043	452877-3	NAIL GUIDE HOLDER		1	100			
044	140412-6	UPPER RAIL COMPLETE		1	100			
D10		INC. 45						
045	813728-9	SAFETY INSTRUCTION LABEL		1	100			

Model No. DPT350 CORDLESS PIN NAILER

Item	Parts No.	Description	I/C	QTY	N/O	Opt. 1	Opt. 2	NOTE
048	911113-1	PAN HEAD SCREW M4X10 WITH WR		1	100			
049	419443-9	SHOULDER PIN 5-7		1	100			
050	233470-0	COMPRESSION SPRING 5		1	100			
051	266177-3	HEX. SOCKET HEAD BOLT M3X10		2	100			
052	419446-3	LEVER		1	100			
053	233117-6	COMPRESSION SPRING 6		1	100			
054	951066-2	SPRING PIN 3-18		1	100			
055	419444-7	SLIDE DOOR CAP		1	100			
056	268158-3	PIN 5		1	100			
057	265040-7	+ PAN HEAD SCREW M3X4		1	100			
058	345705-8	LOCK ARM		1	100			
059	629129-9	DC MOTOR		1	100			
060	267053-4	FLAT WASHER 12		1	100			
061	227166-3	INTERNAL GEAR 69		1	100			
062	232230-7	LEAF SPRING		2	100			
063	221961-3	SPUR GEAR 27		3	100			
064	154973-0	SPUR GEAR 7 COMPLETE		1	100			
065	345773-1	ANTI BACK PLATE		1	100			
066	154972-2	SPUR GEAR 55 COMPLETE		1	100			
067	214060-8	PLANE BEARING 10		1	100			
068	631704-9	LED CIRCUIT		1	100			
069	419452-8	LIGHT SWITCH ARM		1	100			
070	233032-4	COMPRESSION SPRING 2		1	100			
071	651891-8	SWITCH V-15-3A6		2	100			
072	256299-7	PIN 3		1	100			
073	419453-6	LINK PLATE		1	100			
074	231693-4	TORSION SPRING 4		1	100			
075	419454-4	SAFETY TRIGGER		1	100			
076	256299-7	PIN 3		1	100			
077	188168-3	TRIGGER SET		1	100			
D10		INC. 78-83						
078	419451-0	TRIGGER		1	100			
079	256771-9	PIN 2.5		1	100			
080	257926-9	STOP RING E-2.0		2	100			
081	345707-4	SWING ARM		1	100			
082	231694-2	TORSION SPRING 3		1	100			
083	231695-0	TORSION SPRING 3		1	100			
084	233360-7	COMPRESSION SPRING 4		1	100			
085	256176-3	PIN 2.5		1	100			
086	256176-3	PIN 2.5		1	100			
087	345706-6	GUIDE PLATE		1	100			
088	231692-6	TORSION SPRING 4		1	100			
089	168489-9	CAM BLOCK		1	100			
090	233188-3	COMPRESSION SPRING 2.4		1	100			
091	951001-0	SPRING PIN 2-8		1	100			
092	324923-1	PUSH PIN		1	100			
093	345708-2	SWITCH ARM		1	100			
094	256176-3	PIN 2.5		1	100			

Model No. DPT350 CORDLESS PIN NAILER

Item	Parts No.	Description	I/C	QTY	N/O	Opt. 1	Opt. 2	NOTE
095	187888-6	HOUSING SET		1				
D10		INC. 3						
096	815X79-0	DPT350 NAME PLATE		1				
097	911163-6	PAN HEAD SCREW M4X35		1	100			
098	266130-9	TAPPING SCREW BIND PT 3X16		8	100			
099	911123-8	PAN HEAD SCREW M4X14		2	100			
100	233459-8	COMPRESSION SPRING 3		1	100			
101	951054-9	SPRING PIN 3-10		1	100			
A01	195246-2	SAFETY GOGGLE		1				
A02	419525-7	NOSE ADAPTER		1	100			
A03	783201-2	HEX. WRENCH 3		1				
A04F	141074-3	PLASTIC CARRYING CASE COMPLETE		1				
C10	324667-3	SHAFT		1	100			
C20	413098-2	PLATE		4	100			
C30	417724-5	LATCH		2				
C40	419215-2	PLASTIC CASE LID		1	100			
C50	419216-0	HANDLE		1	100			
A04H	821550-0	CONNECTOR PLASTIC CASE (TYPE2)		1				
C10	453974-8	LATCH		4	100			
A04I	821550-0	CONNECTOR PLASTIC CASE (TYPE2)		1				
C10	453974-8	LATCH		4	100			
A05F	804M59-5	DPT350RFE PLASTIC CASE LABEL		1				
A05H	837640-9	INNER TRAY		1				
A05I	837640-9	INNER TRAY		1				
A06F	***DC18RC	DC18RC FAST CHARGER		1				
A06H	***DC18RC	DC18RC FAST CHARGER		1				
A07F	194065-3	BATTERY BL1430 SET		2	*			
A07H	194065-3	BATTERY BL1430 SET		2	*			
A07-1F	194065-3	BATTERY BL1430 SET	O	2	*			
A07-1H	194065-3	BATTERY BL1430 SET	O	2	*			
A07-2F	197616-1	BATTERY BL1430B SET	<	2				
A07-2H	197616-1	BATTERY BL1430B SET	<	2				
A08F	450128-8	BATTERY COVER		1				
A08H	450128-8	BATTERY COVER		1				
A09H	804M55-3	DPT350RFJ INDICATION LABEL		1				
A09I	804M56-1	DPT350ZJ INDICATION LABEL		1				
A10H	804M57-9	DPT350RFJ PLASTIC CASE LABEL		2				
A10I	804M58-7	DPT350ZJ PLASTIC CASE LABEL		2				