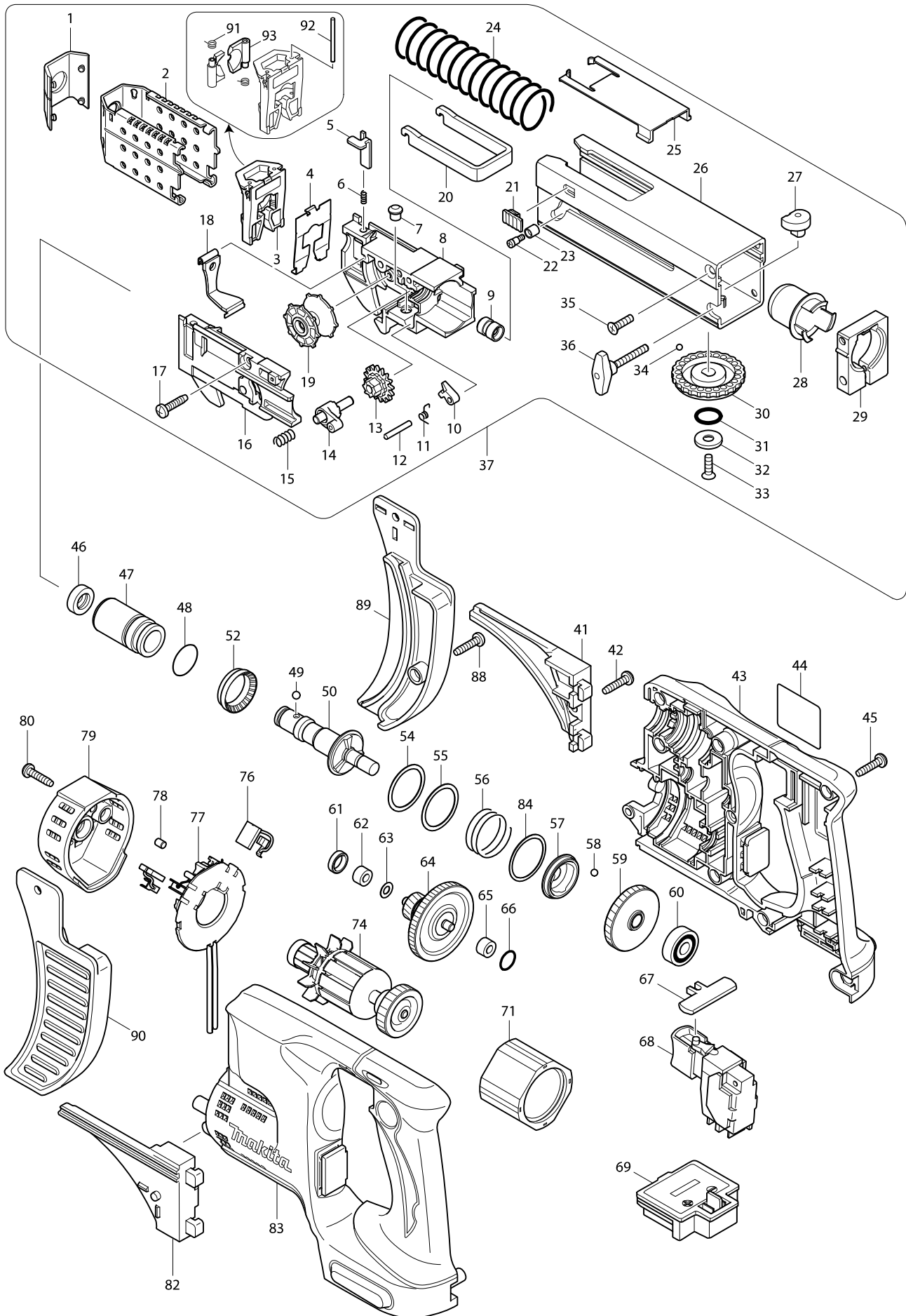


Model No. DFR550 CORDLESS AUTO FEED SCREWDRIVER



Model No. DFR550 CORDLESS AUTO FEED SCREWDRIVER

Item	Parts No.	Description	I/C	QTY	N/O	Opt. 1	Opt. 2	NOTE
001	424043-2	CAP		1	100			
002	345839-7	STOPPER BASE 55		1	100			
003	140493-0	GUIDE BOX COMPLETE		1	100			
D10		INC. 4,91,92,93						
004	346269-5	GUARD		1	100			
005	345837-1	LEVER		2	100			
006	233211-4	COMPRESSION SPRING 2		2	100			
007	256451-7	PIN 6		1	100			
008	450107-6	FEEDER BOX		1	100			
009	257685-5	SLEEVE 5		1	100			
010	310062-3	STOPPER		1	100			
011	231636-6	TORSION SPRING 4		1	100			
012	256158-5	PIN 3		1	100			
013	226344-2	SPUR GEAR 16		1	100			
014	158374-4	RATCHET ARM COMPLETE		1	100			
015	233212-2	COMPRESSION SPRING 6		1	100			
016	158375-2	BOXCOVER COMPLETE		1	100			
017	265995-6	TAPPING SCREW 4X18		1	100			
018	162201-9	DUST COVER		1	100			
019	416518-5	WHEEL		1	100			
020	345838-9	PLATE		1	100			
021	450111-5	STOPPER		2	100			
022	265177-0	+SHOULDER FLAT HEAD SCREW M3X		1	100			
023	257764-9	SLEEVE 4		1	100			
024	234031-9	COMPRESSION SPRING 23		1	100			
025	450114-9	CASING COVER		1	100			
026	158377-8	CASING 55 COMPLETE		1	100			
C10	816885-2	INDICATION LABEL		1	100			
027	310237-4	SHIFTER PIN		1	100			
028	450110-7	INSULATION SLEEVE		1	100			
029	318181-9	CLAMPER		1	100			
030	417056-0	DIAL 42		1	100			
031	213107-5	O RING 12		1	100			
032	267201-5	FLAT WASHER 6		1	100			
033	912117-6	COUNTERSUNK HEAD SCREW M4X12		1	100			
034	216001-0	STEEL BALL 3.5		1	100			
035	912117-6	COUNTERSUNK HEAD SCREW M4X12		3	100			
036	265779-2	THUMB SCREW M4X28		1	100			
037	195184-8	CASING 55 SET		1	100			
D10		INC. 1-36						
041	188309-1	SCREW GUIDE SET		1	100			
D10		INC. 82						
042	265995-6	TAPPING SCREW 4X18		1	100			
043	187478-5	HOUSING SET		1	100			
D10		INC. 83						
044	815R58-2	DFR550 NAME PLATE		1				
045	265995-6	TAPPING SCREW 4X18		9	100			
046	421467-3	DUST COVER		1	100			

Model No. DFR550 CORDLESS AUTO FEED SCREWDRIVER

Item	Parts No.	Description	I/C	QTY	N/O	Opt. 1	Opt. 2	NOTE
047	214173-5	PLANE BEARING 14		1	100			
048	213262-3	O RING 18		1	100			
049	216001-0	STEEL BALL 3.5		1	100			
050	324808-1	SPINDLE B		1	100			
052	421927-5	SLEEVE 20		1	100			
054	267331-2	FLAT WASHER 25		1	100			
055	267331-2	FLAT WASHER 25		1	100			
056	234017-3	COMPRESSEION SPRING 25		1	100			
057	223169-5	CLUTCH CAM C		1	100			
058	216008-6	STEEL BALL 4		3	100			
059	226670-9	HELICAL GEAR 48		1	100			
060	211034-0	BALL BEARING 608		1	100			
061	165115-1	RUBBER SLEEVE 10		1	100			
062	214017-9	PLANE BEARING 5		1	100			
063	253811-4	FLAT WASHER 5		1	100			
064	154937-4	GEAR COMPLETE 18-44		1	100			
065	214017-9	PLANE BEARING 5		1	100			
066	213055-8	O RING 10		1	100			
067	419304-3	F/R CHANGE LEVER		1	100			
068	650670-1	SWITCH TG513SBA-2		1	100			
069	643860-3	TERMINAL		1	100			
071	638426-2	YOKE UNIT		1	100			
074	619216-2	ARMATURE		1	151			
076	194427-5	CARBON BRUSH CB-440		1	100			
077	638433-5	BRUSH HOLDER COMPLETE		1	100			
C10	231696-8	TORSION SPRING R		1	100			
C20	231697-6	TORSION SPRING L		1	100			
078	263032-0	RUBBER PIN 4		2	100			
079	419307-7	FRONT COVER		1	100			
080	265995-6	TAPPING SCREW 4X18		2	100			
082	188309-1	SCREW GUIDE SET		1	100			
D10		INC. 41						
083	187478-5	HOUSING SET		1	100			
D10		INC. 43						
084	267332-0	FLAT WASHER 26		1	100			
088	265995-6	TAPPING SCREW 4X18		2	100			
089	188310-6	GUIDE ATTACHMENT SET		1	100			
D10		INC. 90						
090	188310-6	GUIDE ATTACHMENT SET		1	100			
D10		INC. 89						
091	233567-5	TORSION SPRING 4		2	100			
092	268188-4	PIN 2		2	100			
093	310282-9	GUIDE		2	100			
094	125809-0	FEEDER BOX ASS'Y		1	100			
D10		INC. 1-3,5-19,22,23						
A01	281217-6	HOOK		1	100			
A03G	***DC18RC	DC18RC FAST CHARGER		1				
A03I	***DC18RC	DC18RC FAST CHARGER		1				

