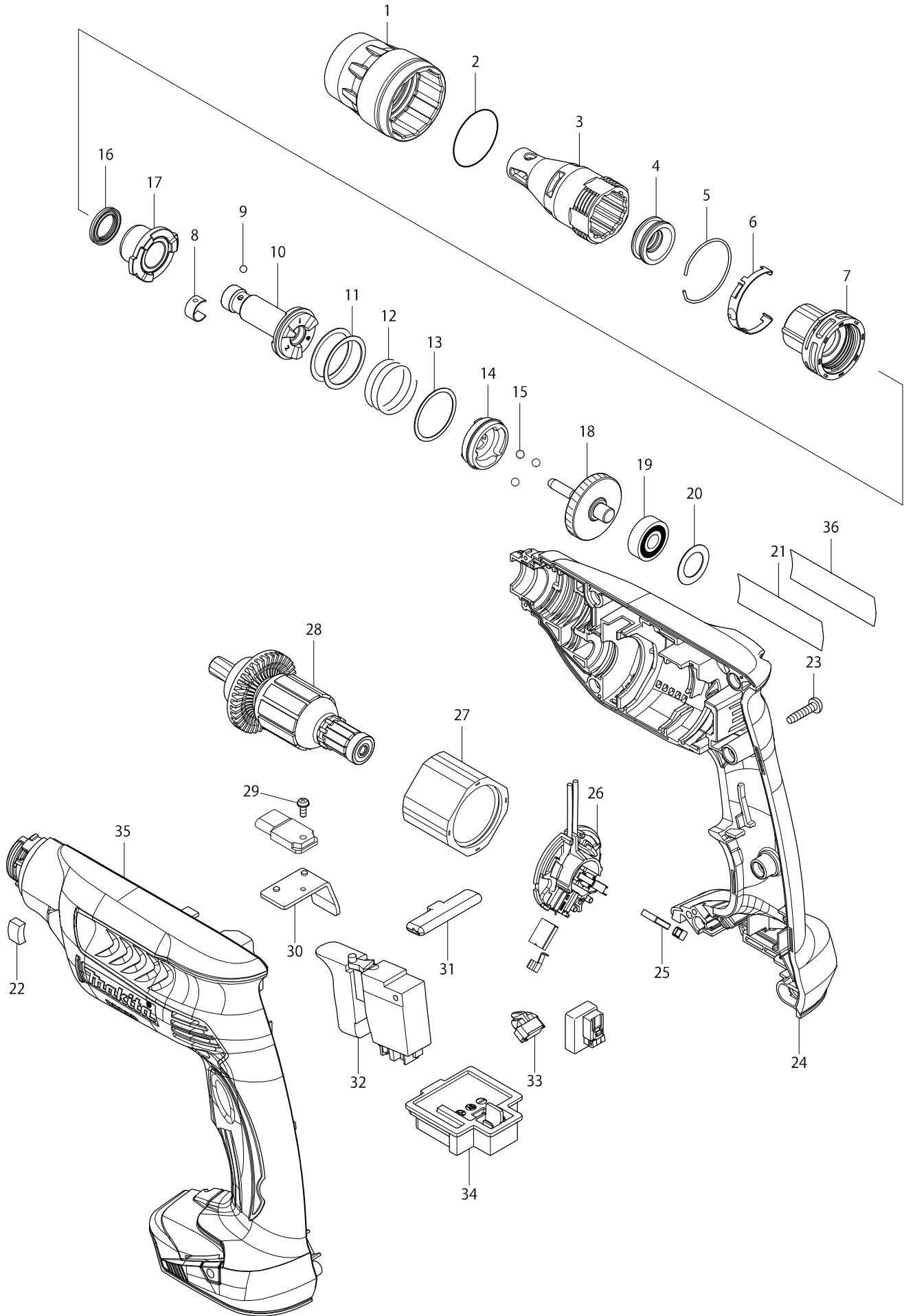


# Model No. DFS451 CORDLESS SCREWDRIVER



# Model No. DFS451 CORDLESS SCREWDRIVER

Item	Parts No.	Description	I/C	QTY	N/O	Opt. 1	Opt. 2	NOTE
001F	450881-6	LOCK RING		1	*	100		
001G	450881-6	LOCK RING		1	*	100		
001H	450881-6	LOCK RING		1	*	100		
001I	450881-6	LOCK RING		1	*	100		
001-1F	455591-0	LOCK RING	O	1				
001-1G	455591-0	LOCK RING	O	1				
001-1H	455591-0	LOCK RING	O	1				
001-1I	455591-0	LOCK RING	O	1				
001-1J	455591-0	LOCK RING		1				
002	424235-3	SEAL RING 30		1		100		
003	158875-2	LOCATOR S COMPLETE		1		100		
004	424163-2	DUST SEAL SLEEVE		1		100		
005	234266-2	RING SPRING 33		1		100		
006	232245-4	LEAF SPRING		1		100		
007	141100-8	LOCATOR BASE COMPLETE		1		100		
008	232050-9	LEAF SPRING		1		100		
009	216001-0	STEEL BALL 3.5		1		100		
010	140771-8	SPINDLE 125S COMPLETE		1		100		
011	267331-2	FLAT WASHER 25		2		100		
012	234017-3	COMPRESSEION SPRING 25		1		100		
013	267332-0	FLAT WASHER 26		1		100		
014	223170-0	CLUTCH CAM 125S		1		100		
015	216008-6	STEEL BALL 4		3		100		
016	213184-7	X-RING 14		1		100		
017	142306-1	BEARING COMPLETE		1		100		
018	140772-6	GEAR COMPLETE		1		100		
019	211032-4	BALL BEARING 608ZZ		1		100		
020	253192-6	FLAT WASHER 14		1		100		
021	815G48-9	DFS451 NAME PLATE		1				
022	423413-2	RUBBER PLATE		1		100		
023	265995-6	TAPPING SCREW 4X18		7		100		
024	187092-7	HOUSING SET		1		100		
C10	263005-3	RUBBER PIN 6		2		100		
D10		INC. 35						
025	194427-5	CARBON BRUSH CB-440		1		100		
026	638868-0	BRUSH HOLDER COMPLETE		1		100		
C10	688163-8	LINE FILTER		1		100		
027	638426-2	YOKE UNIT		1		100		
028F	619277-2	ARMATURE		1	*	151		
028G	619277-2	ARMATURE		1	*	151		
028H	619277-2	ARMATURE		1	*	151		
028I	619277-2	ARMATURE		1	*	151		
028-1F	619351-6	ARMATURE	S	1				
028-1G	619351-6	ARMATURE	S	1				
028-1H	619351-6	ARMATURE	S	1				
028-1I	619351-6	ARMATURE	S	1				
028-1J	619351-6	ARMATURE		1				
029	911006-2	PAN HEAD SCREW M3X8		1		100		

# Model No. DFS451 CORDLESS SCREWDRIVER

Item	Parts No.	Description	I/C	QTY	N/O	Opt. 1	Opt. 2	NOTE
030	689150-0	HEAT SINK		1		100		
031	452516-5	F/R CHANGE LEVER		1		100		
032	638869-8	SWITCH UNIT		1		100		
C10	688164-6	LINE FILTER		1		100		
033	620030-1	LIGHT CIRCUIT		1		100		
034	643852-2	TERMINAL		1		100		
035	187092-7	HOUSING SET		1		100		
C10	263005-3	RUBBER PIN 6		2		100		
D10		INC. 24						
036	892812-3	CLEAR LABEL		1		100		
037	267104-3	FLAT WASHER 12		1		100		
A01	266622-8	+ TRUSS HEAD SCREW M4X12		1		100		
A02	346317-0	HOOK		1				
A03	784261-7	+BIT 2-25		2				
A04	784811-8	MAGNETIC CONNECT BIT 6.35-60		1				
A05G	450128-8	BATTERY COVER		1				
A05H	450128-8	BATTERY COVER		1				
A05I	821550-0	CONNECTOR PLASTIC CASE (TYPE2)		1				
C10	453974-8	LATCH		4		100		
A05J	450128-8	BATTERY COVER		1				
A06G	***DC18RC	DC18RC FAST CHARGER		1				
A06H	***DC18RC	DC18RC FAST CHARGER		1				
A06I	837805-3	INNER TRAY		1				
A06J	***DC18RC	DC18RC FAST CHARGER		1				
A07G	194204-5	BATTERY BL1830 SET		2	*			
A07H	194204-5	BATTERY BL1830 SET		2	*			
A07I	802X30-9	DFS451ZJ INDICATION LABEL		1				
A07-1G	194204-5	BATTERY BL1830 SET	O	2	*			
A07-1H	194204-5	BATTERY BL1830 SET	O	2	*			
A07-1J	196399-0	BATTERY BL1840 SET		2	*			
A07-2G	197600-6	BATTERY BL1830B SET	<	2				
A07-2H	197600-6	BATTERY BL1830B SET	<	2				
A07-2J	197265-4	BATTERY BL1840B SET	<	2				
A08G	141490-9	PLASTIC CARRYING CASE COMPLETE		1				
C10	162315-4	LATCH		2		100		
C20	452137-3	HANDLE		1		100		
A08H	821550-0	CONNECTOR PLASTIC CASE (TYPE2)		1				
C10	453974-8	LATCH		4		100		
A08I	802X31-7	DFS451ZJ PLASTIC CASE LABEL		2				
A08J	821550-0	CONNECTOR PLASTIC CASE (TYPE2)		1				
C10	453974-8	LATCH		4		100		
A09H	837805-3	INNER TRAY		1				
A09J	837805-3	INNER TRAY		1				
A10H	802X28-6	DFS451RFJ INDICATION LABEL		1				
A10J	804G39-5	DFS451RMJ INDICATION LABEL		1				
A11H	802X29-4	DFS451RFJ PLASTIC CASE LABEL		2				
A11J	804G40-0	DFS451RMJ PLASTIC CASE LABEL		2				