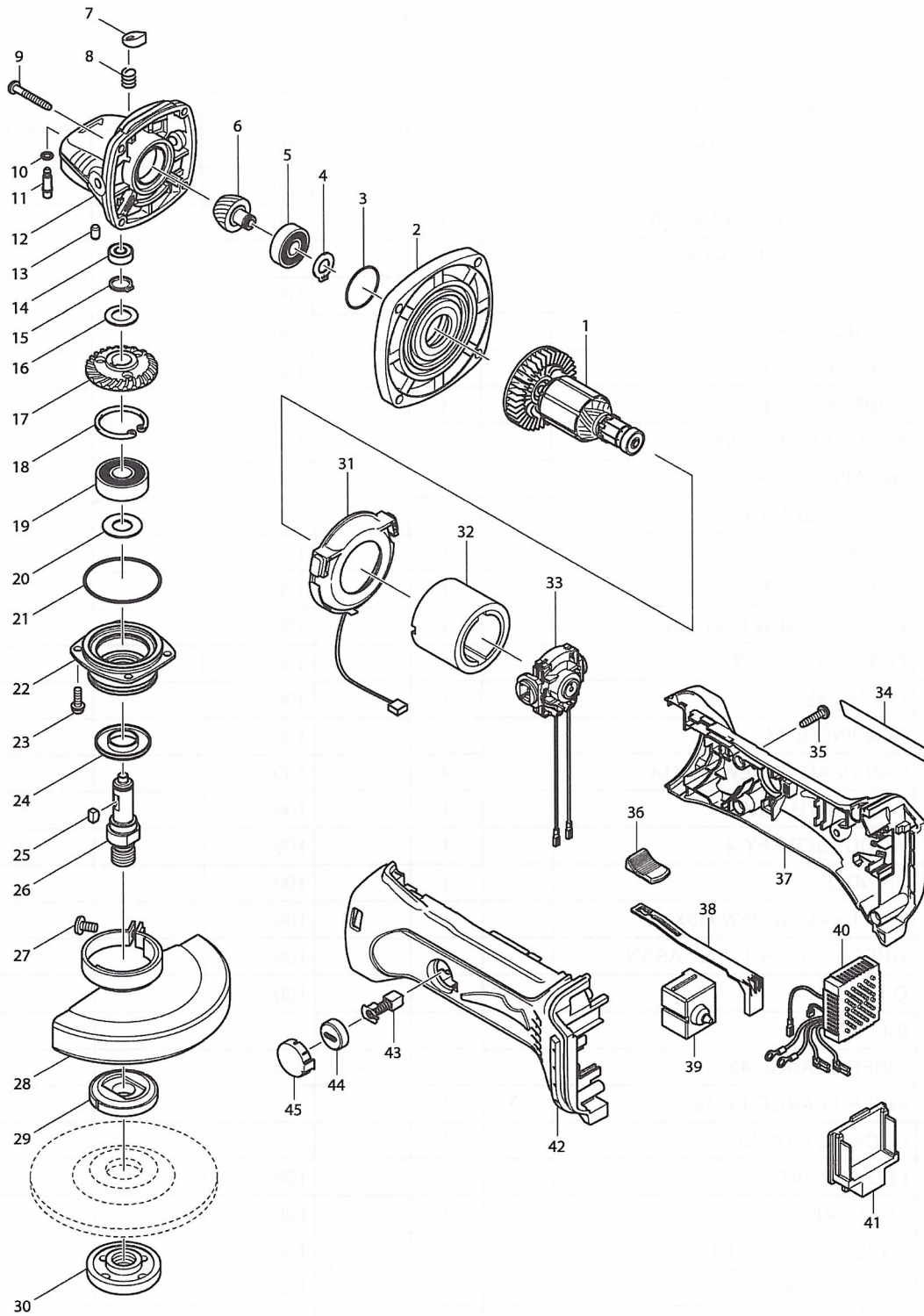


Model No.DGA452 CORDLESS GRINDER 115MM



Model No.DGA452 CORDLESS GRINDER 115MM

Item	Parts No.	Description	I/C	QTY	New/Old	Opt. 1	Opt. 2	NOTE
001	619218-8	ARMATURE		1		151		
C10	421977-0	RUBBER RING 13		1		100		
002	317821-6	GEAR HOUSING COVER		1		100		
003	213445-5	O-RING 26		1		100		
004	961005-4	RETAINING RING S-9		1		100		
005	210042-8	BALL BEARING 629LLB		1		100		
006	227501-5	SPIRAL BEVEL GEAR 19		1		100		
007	417771-6	PIN CAP		1		100		
008	233072-2	COMPRESSION SPRING 8		1		100		
009	266361-0	TAPPING SCREW 4X30		4		100		
010	213960-9	O RING 5		1		100		
011	256496-5	SHOULDER PIN 4		1		100		
012	318051-2	GEAR HOUSING		1		100		
013	263002-9	RUBBER PIN 4		1		100		
014	210033-9	BALL BEARING 696ZZ		1		100		
015	961052-5	RETAINING RING S-12		1		100		
016	253744-3	FLAT WASHER 12		1		100		
017	227502-3	SPIRAL BEVEL GEAR 39		1		100		
018	962151-6	RETAINING RING R-32		1		100		
019	211129-9	BALL BEARING 6201DDW		1		100		
020	267238-2	FLAT WASHER 12		1		100		
021	213622-9	O RING 45		1		100		
022	318331-6	BEARING BOX		1		100		
023	911121-2	PAN HEAD SCREW M4X14		4		100		
024	345464-4	LABYRINTH RING		1		100		
025	254011-9	WOODRUFF KEY 4		1		100		
026	324489-1	SPINDLE		1		100		
027	265180-1	PAN HEAD SCREW M5X16		1		100		
028	123098-1	WHEEL COVER 115AK ASS'Y		1		100		
C10	213009-5	O RING 4		1		100		
D10		INC. 27						
029	224415-9	INNER FLANGE 42		1	*	100		
029-1	224490-5	INNER FLANGE 14-45	O	1				
030	224554-5	LOCK NUT 14-45		1				
031	631714-6	LED CIRCUIT		1		100		
032	638627-2	YOKE UNIT		1		100		
033	638921-2	ENDBELL COMPLETE		1		100		
034	815H70-2	DGA452 NAME PLATE		1		100		
035	266326-2	TAPPING SCREW 4X18		5		100		
036	419566-3	SWITCH KNOB		1		100		
037	187843-8	HOUSING SET		1		100		
C10	263005-3	RUBBER PIN 6		2		100		
D10		INC. 42						
038	419519-2	SWITCH LEVER		1		100		
039	650579-7	SWITCH 1246.3223		1		100		

Model No.DGA452 CORDLESS GRINDER 115MM

Item	Parts No.	Description	I/C	QTY	New/Old	Opt. 1	Opt. 2	NOTE
040	620243-4	CONTROLLER		1		100		
041	644808-8	TERMINAL		1		100		
042	187843-8	HOUSING SET		1		100		
C10	263005-3	RUBBER PIN 6		2		100		
D10		INC. 37						
043	191971-3	CARBON BRUSH CB-430		1		100		
044	643954-4	BRUSH HOLDER CAP		2		100		
045	419518-4	HOLDER CAP COVER		2		100		
A01	153489-2	GRIP 36 COMPLETE		1				
A02	782423-1	LOCK NUT WRENCH 35		1				
A03E	***DC18RC	DC18RC FAST CHARGER		1				
A03F	***DC18RC	DC18RC FAST CHARGER		1				
A03I	***DC18RC	DC18RC FAST CHARGER		1				
A03K	***DC18RC	DC18RC FAST CHARGER		1				
A04E	194204-5	BATTERY BL1830 SET		2	*			
A04F	194204-5	BATTERY BL1830 SET		3	*			
A04I	194204-5	BATTERY BL1830 SET		2	*			
A04K	196399-0	BATTERY BL1840 SET		2	*			
A04-1E	194204-5	BATTERY BL1830 SET	O	2	*			
A04-1F	194204-5	BATTERY BL1830 SET	O	3	*			
A04-1I	194204-5	BATTERY BL1830 SET	O	2	*			
A04-1K	196399-0	BATTERY BL1840 SET	O	2	*			
A04-2E	197600-6	BATTERY BL1830B SET	<	2	*			
A04-2F	197600-6	BATTERY BL1830B SET	<	3	*			
A04-2I	197600-6	BATTERY BL1830B SET	<	2	*			
A04-2K	197265-4	BATTERY BL1840B SET	<	2	*			
A04-3E	197600-6	BATTERY BL1830B SET	O	2				
A04-3F	197600-6	BATTERY BL1830B SET	O	3				
A04-3I	197600-6	BATTERY BL1830B SET	O	2				
A04-3K	197265-4	BATTERY BL1840B SET	O	2				
A05E	141257-5	PLASTIC CARRYING CASE		1				
C10	163455-1	LATCH		2				
A05F	141257-5	PLASTIC CARRYING CASE		1				
C10	163455-1	LATCH		2				
A05I	821550-0	CONNECTOR PLASTIC CASE (TYPE2)		1				
C10	453974-8	LATCH		4		100		
A05J	821550-0	CONNECTOR PLASTIC CASE (TYPE2)		1				
C10	453974-8	LATCH		4		100		
A05K	821550-0	CONNECTOR PLASTIC CASE (TYPE2)		1				
C10	453974-8	LATCH		4		100		
A06	A-80640	DEPRESSED CENTER WHEEL 115X36		1				
A07I	837632-8	INNER TRAY		1				
A07J	837632-8	INNER TRAY		1				
A07K	837632-8	INNER TRAY		1				

Please order the parts with part number.

Print Date 22/10/2019

