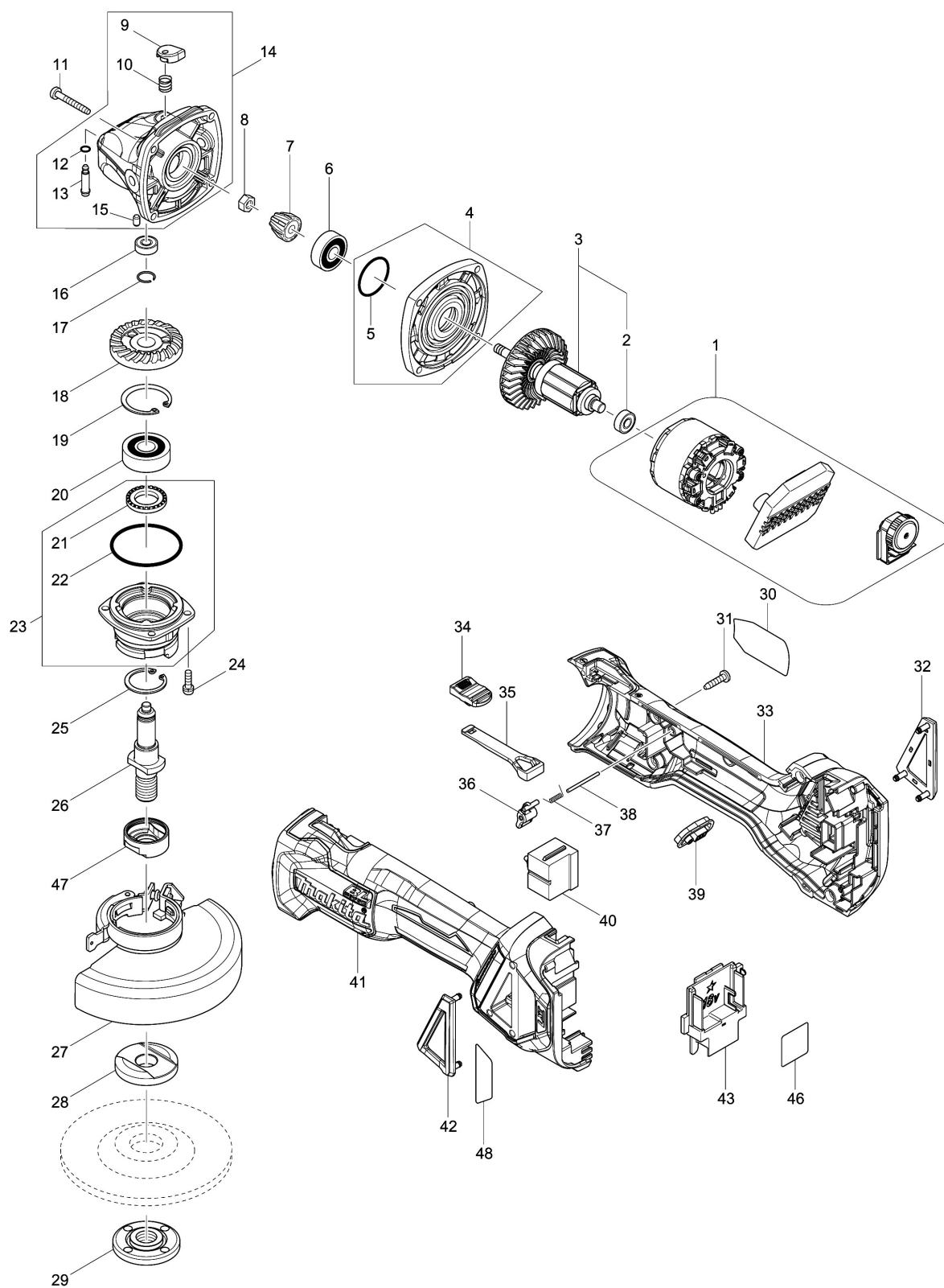


Model No.DGA463 115MM CORDLESS ANGLE GRINDER



Model No.DGA463 115MM CORDLESS ANGLE GRINDER

Item	Parts No.	Description	I/C	QTY	New/Old	Opt. 1	Opt. 2	NOTE
001	629298-6	STATOR COMPLETE		1				
002	210169-4	BALL BEARING 607LLB		1				
003	510329-1	ROTOR ASS'Y		1				
D10		INC. 2						
004	135930-7	GEAR HOUSING COVER ASSEMBLY		1				
D10		INC. 5						
005	213445-5	O-RING 26		1		100		
006	210042-8	BALL BEARING 629LLB		1		100		
007	227541-3	SPIRAL BEVEL GEAR 10		1	*			
007-1	226861-2	SPIRAL BEVEL GEAR 10	S	1				
008	252186-8	HEX. NUT M6		1		100		
009	417771-6	PIN CAP		1		100		
010	233072-2	COMPRESSION SPRING 8		1		100		
011	266361-0	TAPPING SCREW 4X30		4		100		
012	213960-9	O RING 5		1		100		
013	256546-6	SHOULDER PIN 4		1				
014	135929-2	GEAR HOUSING ASSEMBLY		1				
D10		INC. 9,10,12,13,15						
015	263002-9	RUBBER PIN 4		1		100		
016	210033-9	BALL BEARING 696ZZ		1		100		
017	233950-6	RING SPRING 11		1		100		
018	227641-9	SPIRAL BEVEL GEAR 37		1	*			
018-1	226862-0	SPIRAL BEVEL GEAR 37	S	1				
019	962151-6	RETAINING RING R-32		1		100		
020	211129-9	BALL BEARING 6201DDW		1		100		
021	262153-5	FELT RING 16		1		100		
022	213622-9	O RING 45		1		100		
023	135949-6	BEARING BOX ASSEMBLY		1				
D10		INC. 21,22						
024	911121-2	PAN HEAD SCREW M4X14		4		100		
025	962105-3	RETAINING RING R-26		1		100		
026	326672-6	SPINDLE		1				
027	123144-0	TOOLLESS WHEELCOVER 115AK ASSY		1		100		
C10	213009-5	O RING 4		1		100		
C20	265180-1	PAN HEAD SCREW M5X16		1		100		
028	224447-6	INNER FLANGE 42B		1		100		
029	224554-5	LOCK NUT 14-45		1				
030	853X41-7	DGA463 NAME PLATE		1				
031	266326-2	TAPPING SCREW 4X18		5		100		
032	455450-8	DUST COVER R		1				
033	183H83-4	HOUSING SET		1				
C10	263005-3	RUBBER PIN 6		2		100		
D10		INC. 41						
034	455447-7	SWITCH KNOB		1				

Please order the parts with part number.

Print Date 11/3/2019

Model No.DGA463 115MM CORDLESS ANGLE GRINDER

Item	Parts No.	Description	I/C	QTY	New/Old	Opt. 1	Opt. 2	NOTE
035	455446-9	SWITCH LEVER		1				
036	455448-5	LEVER		1				
037	231679-8	TORSION SPRING 2		1				
038	268330-7	PIN 2		1				
039	142901-7	INDICATOR PANEL COMPLETE		1				
040	650579-7	SWITCH 1246.3223		1		100		
041	183H83-4	HOUSING SET		1				
C10	263005-3	RUBBER PIN 6		2		100		
D10		INC. 33						
042	455449-3	DUST COVER L		1				
043	643874-2	TERMINAL		1				
046	853X43-3	DGA463 SERIAL NO. LABEL		1				
047	310514-4	LEAD FLANGE		1		100		
048	816D93-9	INDICATION LABEL		1				
A01	158237-4	GRIP 36 COMPLETE		1				
A02	A-80640	DEPRESSED CENTER WHEEL 115X36		1				
A03	782423-1	LOCK NUT WRENCH 35		1				
A04B	450128-8	BATTERY COVER		2				
A05B	***DC18RC	DC18RC FAST CHARGER		1				
D10		COMPO-PARTS						
A06B	197280-8	BATTERY BL1850B SET		2				
A07B	821551-8	CONNECTOR PLASTIC CASE (TYPE3)		1				
C10	453974-8	LATCH		4		100		
A08B	816K09-6	DGA463RTJ INDICATION LABEL		1				
A09B	816K10-1	DGA463RTJ PLASTIC CASE LABEL		2				
A10B	839252-4	INNER TRAY		1				

Please order the parts with part number.

Print Date 11/3/2019