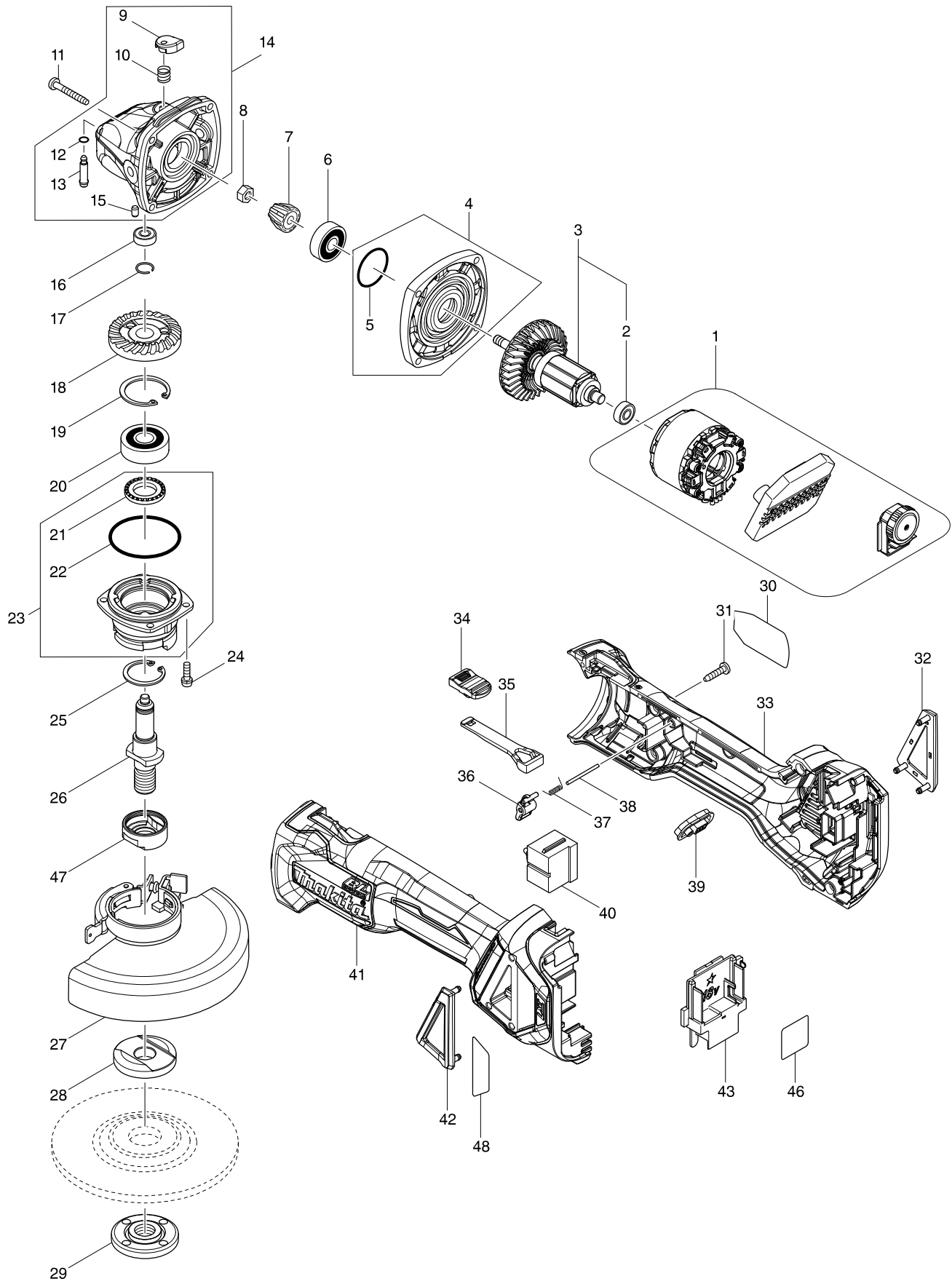


Model No. DGA513 125MM CORDLESS ANGLE GRINDER



Model No. DGA513 125MM CORDLESS ANGLE GRINDER

Item	Parts No.	Description	I/C	QTY	N/O	Opt. 1	Opt. 2	NOTE
001	629298-6	STATOR COMPLETE		1				
002	210169-4	BALL BEARING 607LLB		1				
003	510329-1	ROTOR ASS'Y		1				
D10		INC. 2						
004	135930-7	GEAR HOUSING COVER ASSEMBLY		1				
D10		INC. 5						
005	213445-5	O-RING 26		1	100			
006	210042-8	BALL BEARING 629LLB		1	100			
007	227541-3	SPIRAL BEVEL GEAR 10		1				
008	252186-8	HEX. NUT M6		1	100			
009	417771-6	PIN CAP		1	100			
010	233072-2	COMPRESSION SPRING 8		1	100			
011	266361-0	TAPPING SCREW 4X30		4	100			
012	213960-9	O RING 5		1	100			
013	256546-6	SHOULDER PIN 4		1				
014	135929-2	GEAR HOUSING ASSEMBLY		1				
D10		INC. 9,10,12,13,15						
015	263002-9	RUBBER PIN 4		1	100			
016	210033-9	BALL BEARING 696ZZ		1	100			
017	233950-6	RING SPRING 11		1	100			
018	227641-9	SPIRAL BEVEL GEAR 37		1				
019	962151-6	RETAINING RING R-32		1	100			
020	211129-9	BALL BEARING 6201DDW		1	100			
021	262153-5	FELT RING 16		1	100			
022	213622-9	O RING 45		1	100			
023	135949-6	BEARING BOX ASSEMBLY		1				
D10		INC. 21,22						
024	911121-2	PAN HEAD SCREW M4X14		4	100			
025	962105-3	RETAINING RING R-26		1	100			
026	326672-6	SPINDLE		1				
027	123145-8	TOOLLESS WHEELCOVER 125AK ASS		1	100			
C10	213009-5	O RING 4		1	100			
C20	265180-1	PAN HEAD SCREW M5X16		1	100			
028	224447-6	INNER FLANGE 42B		1	100			
029	224554-5	LOCK NUT 14-45		1				
030	853X81-5	DGA513 NAME PLATE		1				
031	266326-2	TAPPING SCREW 4X18		5	100			
032	455450-8	DUST COVER R		1				
033	183H83-4	HOUSING SET		1				
C10	263005-3	RUBBER PIN 6		2	100			
D10		INC. 41						
034	455447-7	SWITCH KNOB		1				
035	455446-9	SWITCH LEVER		1				
036	455448-5	LEVER		1				
037	231679-8	TORSION SPRING 2		1				
038	268330-7	PIN 2		1				
039	142901-7	INDICATOR PANEL COMPLETE		1				
040	650579-7	SWITCH 1246.3223		1	100			

