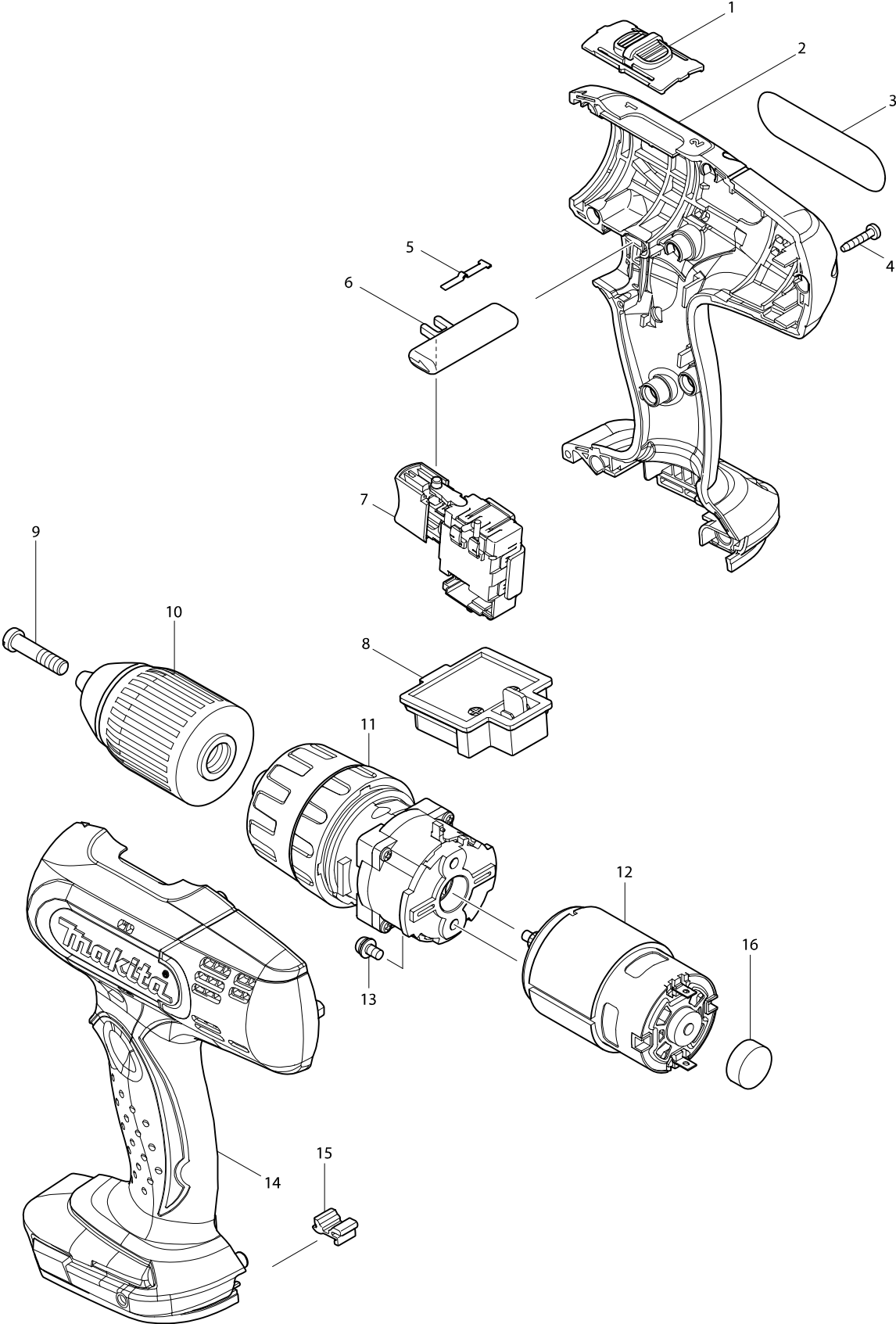


Model No. DHP453 CORDLESS PERCUSSION-DRIVER DRILL



Model No. DHP453 CORDLESS PERCUSSN-DRIVER DRILL

Item	Parts No.	Description	I/C	QTY	N/O	Opt. 1	Opt. 2	NOTE
001	125310-5	SPEED CHANGE LEVER ASS'Y		1	100			
C10	231433-0	COMPRESSION SPRING 4		2	100			
C10	263005-3	RUBBER PIN 6		2	100			
D10		INC. 14						
002A	187363-2	HOUSING SET		1	100			
002B	187363-2	HOUSING SET		1	100			
002C	187363-2	HOUSING SET		1	100			
002E	187363-2	HOUSING SET		1	100			
002G	187365-8	HOUSING SET		1	100			
002H	187363-2	HOUSING SET		1	100			
002I	187363-2	HOUSING SET		1	100			
002K	187363-2	HOUSING SET		1	100			
002L	187365-8	HOUSING SET		1	100			
002M	187363-2	HOUSING SET		1	100			
002N	187363-2	HOUSING SET		1	100			
002O	187365-8	HOUSING SET		1	100			
002P	187365-8	HOUSING SET		1	100			
002Q	187363-2	HOUSING SET		1	100			
002R	187363-2	HOUSING SET		1	100			
002U	187363-2	HOUSING SET		1	100			
002X	187363-2	HOUSING SET		1	100			
003	815J03-9	DHP453 NAME PLATE		1				
004	266130-9	TAPPING SCREW BIND PT 3X16		9	100			
005	232182-2	LEAF SPRING		1	100			
006	419250-0	F/R CHANGE LEVER		1	100			
007	632A23-2	SWITCH UNIT		1	100			
008	643852-2	TERMINAL		1	100			
009	251468-5	- FLAT HEAD SCREW M6X22		1	100			
010	766004-9	KEYLESS DRILL CHUCK 13		1				
011	125485-0	GEAR ASS'Y		1	100			
012	629937-8	DC MOTOR		1	100			
013	911108-4	PAN HEAD SCREW M4X8		2	100			
C10	263005-3	RUBBER PIN 6		2	100			
D10		INC. 2						
014A	187363-2	HOUSING SET		1	100			
014B	187363-2	HOUSING SET		1	100			
014C	187363-2	HOUSING SET		1	100			
014E	187363-2	HOUSING SET		1	100			
014G	187365-8	HOUSING SET		1	100			
014H	187363-2	HOUSING SET		1	100			
014I	187363-2	HOUSING SET		1	100			
014K	187363-2	HOUSING SET		1	100			
014L	187365-8	HOUSING SET		1	100			
014M	187363-2	HOUSING SET		1	100			
014N	187363-2	HOUSING SET		1	100			
014O	187365-8	HOUSING SET		1	100			
014P	187365-8	HOUSING SET		1	100			
014Q	187363-2	HOUSING SET		1	100			

Model No. DHP453 CORDLESS PERCUSSN-DRIVER DRILL

Item	Parts No.	Description	I/C	QTY	N/O	Opt. 1	Opt. 2	NOTE
014R	187363-2	HOUSING SET		1		100		
014U	187363-2	HOUSING SET		1		100		
014X	187363-2	HOUSING SET		1		100		
015	424476-1	CUSHION		1		100		
016	421940-3	CAP		1		100		
A01	784636-0	+ - BIT 2-65		1				
A02A	***DC18SD	DC18SD BATTERY CHARGER		1				
A02B	***DC18RC	DC18RC FAST CHARGER		1				
A02E	***DC18SD	DC18SD BATTERY CHARGER		1				
A02G	***DC18SD	DC18SD BATTERY CHARGER		1				
A02H	***DC18RC	DC18RC FAST CHARGER		1				
A02I	***DC18RC	DC18RC FAST CHARGER		1				
A02K	***DC18RC	DC18RC FAST CHARGER		1				
A02L	***DC18RC	DC18RC FAST CHARGER		1				
A02M	***DC18SD	DC18SD BATTERY CHARGER		1				
A02N	***DC18RC	DC18RC FAST CHARGER		1				
A02O	***DC18SD	DC18SD BATTERY CHARGER		1				
A02P	***DC18RC	DC18RC FAST CHARGER		1				
A02Q	***DC18SD	DC18SD BATTERY CHARGER		1				
A02R	***DC18RC	DC18RC FAST CHARGER		1				
A02U	***DC18SD	DC18SD BATTERY CHARGER		1				
A02X	***DC18RC	DC18RC FAST CHARGER		1				
A03A	197600-6	BATTERY BL1830B SET		1				
A03B	194204-5	BATTERY BL1830 SET		2	*			
A03I	194204-5	BATTERY BL1830 SET		1	*			
A03L	194204-5	BATTERY BL1830 SET		1	*			
A03Q	196235-0	BATTERY BL1815N SET		2	*			
A03R	196460-3	BATTERY BL1820 SET		2	*			
A03U	196235-0	BATTERY BL1815N SET		1	*			
A03X	196399-0	BATTERY BL1840 SET		1	*			
A03-1B	194204-5	BATTERY BL1830 SET	O	2	*			
A03-1E	194204-5	BATTERY BL1830 SET		1	*			
A03-1H	194204-5	BATTERY BL1830 SET		1	*			
A03-1I	194204-5	BATTERY BL1830 SET	O	1	*			
A03-1K	196399-0	BATTERY BL1840 SET		2	*			
A03-1L	194204-5	BATTERY BL1830 SET	O	1	*			
A03-1M	194204-5	BATTERY BL1830 SET		2	*			
A03-1N	196399-0	BATTERY BL1840 SET		1	*			
A03-1Q	196235-0	BATTERY BL1815N SET	O	2				
A03-1R	197254-9	BATTERY BL1820B SET	<	2				
A03-1U	196235-0	BATTERY BL1815N SET	O	1				
A03-1X	196399-0	BATTERY BL1840 SET	O	1	*			
A03-2B	197600-6	BATTERY BL1830B SET	<	2				
A03-2E	197600-6	BATTERY BL1830B SET	<	1				
A03-2G	197600-6	BATTERY BL1830B SET		1				
A03-2H	197600-6	BATTERY BL1830B SET	<	1				
A03-2I	197600-6	BATTERY BL1830B SET	<	1				
A03-2K	197265-4	BATTERY BL1840B SET	<	2				

Model No. DHP453 CORDLESS PERCUSSN-DRIVER DRILL

Item	Parts No.	Description	I/C	QTY	N/O	Opt. 1	Opt. 2	NOTE
A03-2L	197600-6	BATTERY BL1830B SET	<	1				
A03-2M	197600-6	BATTERY BL1830B SET	<	2				
A03-2N	197265-4	BATTERY BL1840B SET	<	1				
A03-2O	197600-6	BATTERY BL1830B SET		2				
A03-2P	197600-6	BATTERY BL1830B SET		1				
A03-2X	197265-4	BATTERY BL1840B SET	<	1				
A04B	450128-8	BATTERY COVER		1				
A04K	450128-8	BATTERY COVER		1				
A04M	450128-8	BATTERY COVER		1				
A04O	450128-8	BATTERY COVER		1				
A04Q	450128-8	BATTERY COVER		1				
A04R	450128-8	BATTERY COVER		1				
A05A	158777-2	PLASTIC CARRYING CASE		1				
C10	163455-1	LATCH		2				
C20	419360-3	HANDLE		1	100			
A05B	158777-2	PLASTIC CARRYING CASE		1				
C10	163455-1	LATCH		2				
C20	419360-3	HANDLE		1	100			
A05E	197041-6	TOOL CHEST		1				
A05G	197675-5	TOOL CHEST		1				
A05H	197041-6	TOOL CHEST		1				
A05I	158777-2	PLASTIC CARRYING CASE		1				
C10	163455-1	LATCH		2				
C20	419360-3	HANDLE		1	100			
A05K	821550-0	CONNECTOR PLASTIC CASE (TYPE2)		1				
C10	453974-8	LATCH		4	100			
A05L	158777-2	PLASTIC CARRYING CASE		1				
C10	163455-1	LATCH		2				
C20	419360-3	HANDLE		1	100			
A05M	158777-2	PLASTIC CARRYING CASE		1				
C10	163455-1	LATCH		2				
C20	419360-3	HANDLE		1	100			
A05N	195406-6	ALUMINUM CASE SET		1				
A05O	144984-3	PLASTIC CASE COMPLETE		1				
A05P	144984-3	PLASTIC CASE COMPLETE		1				
A05Q	158777-2	PLASTIC CARRYING CASE		1				
C10	163455-1	LATCH		2				
C20	419360-3	HANDLE		1	100			
A05R	158777-2	PLASTIC CARRYING CASE		1				
C10	163455-1	LATCH		2				
C20	419360-3	HANDLE		1	100			
A05U	158777-2	PLASTIC CARRYING CASE		1				
C10	163455-1	LATCH		2				
C20	419360-3	HANDLE		1	100			
A05X	158777-2	PLASTIC CARRYING CASE		1				
C10	163455-1	LATCH		2				
C20	419360-3	HANDLE		1	100			
A06K	837916-4	INNER TRAY		1				

