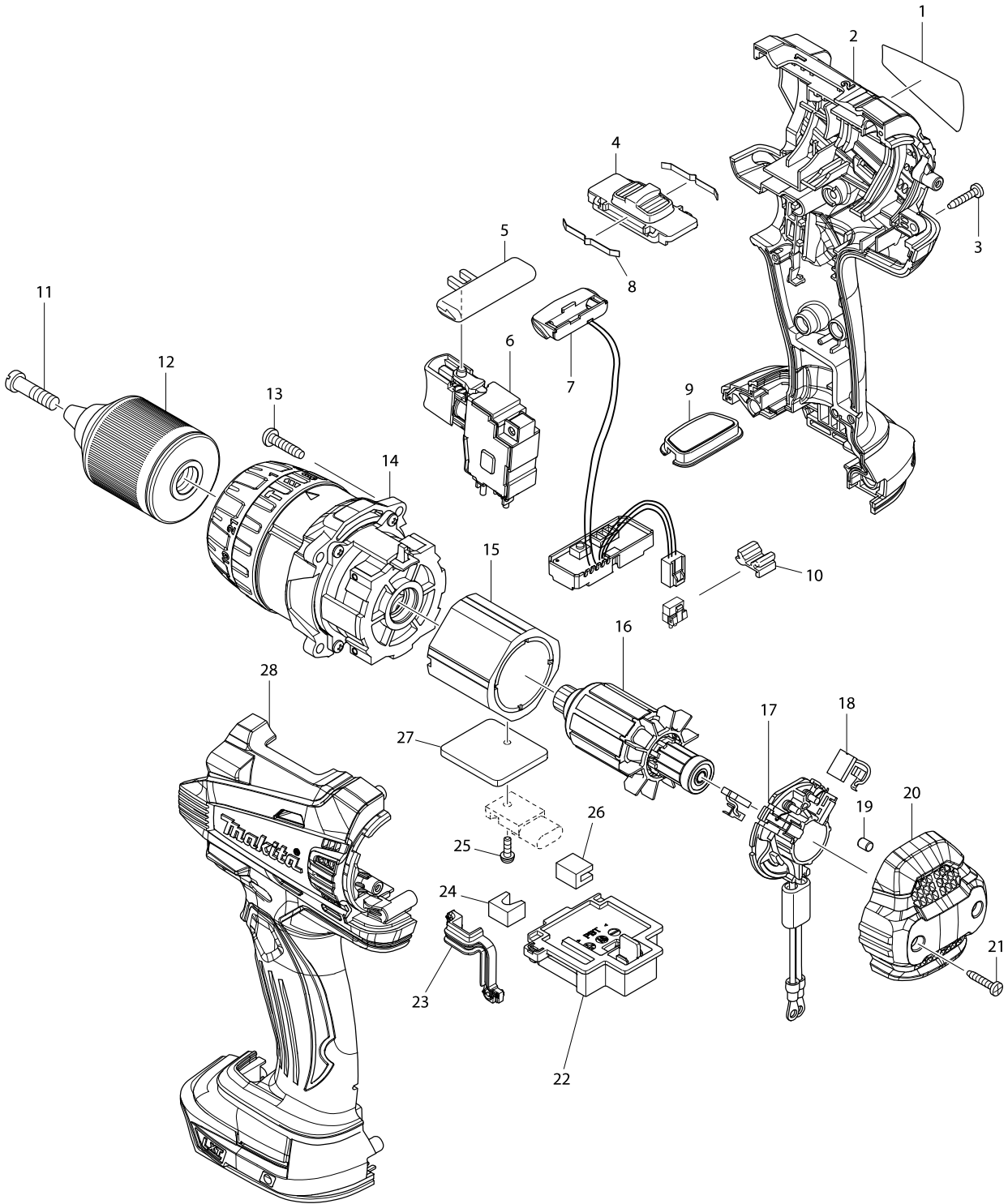


Model No. DHP458 CORDLESS HAMMER DRIVER DRILL



Model No. DHP458 CORDLESS HAMMER DRIVER DRILL

Item	Parts No.	Description	I/C	QTY	N/O	Opt. 1	Opt. 2	NOTE
001	814Y76-9	DHP458 NAME PLATE		1		100		
002	187430-3	HOUSING SET		1		100		
C10	263005-3	RUBBER PIN 6		2		100		
C20	252126-6	HEX. LOCKING NUT M4-7		2		100		
D10		INC. 28						
003	266130-9	TAPPING SCREW BIND PT 3X16		7		100		
004	126100-9	SPEED CHANGE LEVER ASSEMBLY		1		100		
C10	233438-6	COMPRESSION SPRING 4		2		100		
005	419250-0	F/R CHANGE LEVER		1		100		
006	650724-4	SWITCH TG573FSB-3		1		100		
007	620138-1	LIGHT CIRCUIT		1		100		
008	232220-0	LEAF SPRING		2		100		
009	140963-9	SWITCH PLATE COMPLETE		1		100		
010	424476-1	CUSHION		1		100		
011	251468-5	- FLAT HEAD SCREW M6X22		1		100		
012	766015-4	KEYLESS DRILL CHUCK 13		1	*	100		
012-1	763248-2	KEYLESS DRILL CHUCK 13	<	1				
013	265995-6	TAPPING SCREW 4X18		4		100		
014G	126099-8	GEAR ASSEMBLY		1	*	100		
014H	126099-8	GEAR ASSEMBLY		1	*	100		
014I	126099-8	GEAR ASSEMBLY		1	*	100		
014J	126099-8	GEAR ASSEMBLY		1	*	100		
014K	126099-8	GEAR ASSEMBLY		1	*	100		
014L	126099-8	GEAR ASSEMBLY		1	*	100		
014-1G	126448-9	GEAR ASSEMBLY	<	1		100		
014-1H	126448-9	GEAR ASSEMBLY	<	1		100		
014-1I	126448-9	GEAR ASSEMBLY	<	1		100		
014-1J	126448-9	GEAR ASSEMBLY	<	1		100		
014-1K	126448-9	GEAR ASSEMBLY	<	1		100		
014-1L	126448-9	GEAR ASSEMBLY	<	1		100		
014-1M	126448-9	GEAR ASSEMBLY		1		100		
014-1Q	126448-9	GEAR ASSEMBLY		1		100		
015	638989-8	YOKE UNIT		1		100		
016	619301-1	ARMATURE		1	*	151		
016-1	619496-0	ARMATURE	<	1				
017	638991-1	BRUSH HOLDER COMPLETE		1	*	100		
C10	688172-7	LINE FILTER		1	*			
017-1	632K64-8	BRUSH HOLDER COMPLETE	<	1				
C10	688172-7	LINE FILTER		1				
018	194427-5	CARBON BRUSH CB-440		1		100		
019	263032-0	RUBBER PIN 4		2		100		
020	453394-6	REAR COVER		1		100		
021	266130-9	TAPPING SCREW BIND PT 3X16		2		100		
022	644808-8	TERMINAL		1		100		
023	424430-5	SEAL		1		100		
024	423422-1	SPONGE A		1		100		
025	911013-5	PAN HEAD SCREW M3X10		1		100		
026	423423-9	SPONGE B		1		100		

Model No. DHP458 CORDLESS HAMMER DRIVER DRILL

Item	Parts No.	Description	I/C	QTY	N/O	Opt. 1	Opt. 2	NOTE
027	689176-2	HEAT SINK		1		100		
028	187430-3	HOUSING SET		1		100		
C10	263005-3	RUBBER PIN 6		2		100		
C20	252126-6	HEX. LOCKING NUT M4-7		2		100		
D10		INC. 2						
A01G	126131-8	GRIP ASSEMBLY		1	*	100		
C10	154935-8	GRIP 36 COMPLETE		1	*			
C20	266750-9	SQUARE BOLT M8X100		1	*	100		
C30	346566-9	GRIP SPRING 60		1	*	100		
C40	453584-1	GRIP BASE 60		1	*			
C50	265785-7	THUMB SCREW M5X10		1	*	100		
C60	931202-6	HEX. NUT M5		1	*	100		
A01H	126131-8	GRIP ASSEMBLY		1	*	100		
C10	154935-8	GRIP 36 COMPLETE		1	*			
C20	266750-9	SQUARE BOLT M8X100		1	*	100		
C30	346566-9	GRIP SPRING 60		1	*	100		
C40	453584-1	GRIP BASE 60		1	*			
C50	265785-7	THUMB SCREW M5X10		1	*	100		
C60	931202-6	HEX. NUT M5		1	*	100		
A01I	126131-8	GRIP ASSEMBLY		1	*	100		
C10	154935-8	GRIP 36 COMPLETE		1	*			
C20	266750-9	SQUARE BOLT M8X100		1	*	100		
C30	346566-9	GRIP SPRING 60		1	*	100		
C40	453584-1	GRIP BASE 60		1	*			
C50	265785-7	THUMB SCREW M5X10		1	*	100		
C60	931202-6	HEX. NUT M5		1	*	100		
A01J	126131-8	GRIP ASSEMBLY		1	*	100		
C10	154935-8	GRIP 36 COMPLETE		1	*			
C20	266750-9	SQUARE BOLT M8X100		1	*	100		
C30	346566-9	GRIP SPRING 60		1	*	100		
C40	453584-1	GRIP BASE 60		1	*			
C50	265785-7	THUMB SCREW M5X10		1	*	100		
C60	931202-6	HEX. NUT M5		1	*	100		
A01K	126131-8	GRIP ASSEMBLY		1	*	100		
C10	154935-8	GRIP 36 COMPLETE		1	*			
C20	266750-9	SQUARE BOLT M8X100		1	*	100		
C30	346566-9	GRIP SPRING 60		1	*	100		
C40	453584-1	GRIP BASE 60		1	*			
C50	265785-7	THUMB SCREW M5X10		1	*	100		
C60	931202-6	HEX. NUT M5		1	*	100		
A01L	126131-8	GRIP ASSEMBLY		1	*	100		
C10	154935-8	GRIP 36 COMPLETE		1	*			
C20	266750-9	SQUARE BOLT M8X100		1	*	100		
C30	346566-9	GRIP SPRING 60		1	*	100		
C40	453584-1	GRIP BASE 60		1	*			
C50	265785-7	THUMB SCREW M5X10		1	*	100		
C60	931202-6	HEX. NUT M5		1	*	100		
A01M	126131-8	GRIP ASSEMBLY		1	*	100		

Model No. DHP458 CORDLESS HAMMER DRIVER DRILL

Item	Parts No.	Description	I/C	QTY	N/O	Opt. 1	Opt. 2	NOTE
C10	154935-8	GRIP 36 COMPLETE		1	*			
C20	266750-9	SQUARE BOLT M8X100		1	*	100		
C30	346566-9	GRIP SPRING 60		1	*	100		
C40	453584-1	GRIP BASE 60		1	*			
C50	265785-7	THUMB SCREW M5X10		1	*	100		
C60	931202-6	HEX. NUT M5		1	*	100		
A01-1G	123257-7	GRIP ASSEMBLY	<	1				
C10	154935-8	GRIP 36 COMPLETE		1				
C20	266899-5	SQUARE BOLT M8X140		1				
C30	346566-9	GRIP SPRING 60		1		100		
C40	455189-3	GRIP BASE 60		1				
C50	265785-7	THUMB SCREW M5X10		1		100		
C60	931202-6	HEX. NUT M5		1		100		
A01-1H	123257-7	GRIP ASSEMBLY	<	1				
C10	154935-8	GRIP 36 COMPLETE		1				
C20	266899-5	SQUARE BOLT M8X140		1				
C30	346566-9	GRIP SPRING 60		1		100		
C40	455189-3	GRIP BASE 60		1				
C50	265785-7	THUMB SCREW M5X10		1		100		
C60	931202-6	HEX. NUT M5		1		100		
A01-1I	123257-7	GRIP ASSEMBLY	<	1				
C10	154935-8	GRIP 36 COMPLETE		1				
C20	266899-5	SQUARE BOLT M8X140		1				
C30	346566-9	GRIP SPRING 60		1		100		
C40	455189-3	GRIP BASE 60		1				
C50	265785-7	THUMB SCREW M5X10		1		100		
C60	931202-6	HEX. NUT M5		1		100		
A01-1J	123257-7	GRIP ASSEMBLY	<	1				
C10	154935-8	GRIP 36 COMPLETE		1				
C20	266899-5	SQUARE BOLT M8X140		1				
C30	346566-9	GRIP SPRING 60		1		100		
C40	455189-3	GRIP BASE 60		1				
C50	265785-7	THUMB SCREW M5X10		1		100		
C60	931202-6	HEX. NUT M5		1		100		
A01-1K	123257-7	GRIP ASSEMBLY	<	1				
C10	154935-8	GRIP 36 COMPLETE		1				
C20	266899-5	SQUARE BOLT M8X140		1				
C30	346566-9	GRIP SPRING 60		1		100		
C40	455189-3	GRIP BASE 60		1				
C50	265785-7	THUMB SCREW M5X10		1		100		
C60	931202-6	HEX. NUT M5		1		100		
A01-1L	123257-7	GRIP ASSEMBLY	<	1				
C10	154935-8	GRIP 36 COMPLETE		1				
C20	266899-5	SQUARE BOLT M8X140		1				
C30	346566-9	GRIP SPRING 60		1		100		
C40	455189-3	GRIP BASE 60		1				
C50	265785-7	THUMB SCREW M5X10		1		100		
C60	931202-6	HEX. NUT M5		1		100		

Model No. DHP458 CORDLESS HAMMER DRIVER DRILL

Item	Parts No.	Description	I/C	QTY	N/O	Opt. 1	Opt. 2	NOTE
A01-1M	123257-7	GRIP ASSEMBLY	<	1				
C10	154935-8	GRIP 36 COMPLETE		1				
C20	266899-5	SQUARE BOLT M8X140		1				
C30	346566-9	GRIP SPRING 60		1		100		
C40	455189-3	GRIP BASE 60		1				
C50	265785-7	THUMB SCREW M5X10		1		100		
C60	931202-6	HEX. NUT M5		1		100		
A01-1Q	123257-7	GRIP ASSEMBLY		1				
C10	154935-8	GRIP 36 COMPLETE		1				
C20	266899-5	SQUARE BOLT M8X140		1				
C30	346566-9	GRIP SPRING 60		1		100		
C40	455189-3	GRIP BASE 60		1				
C50	265785-7	THUMB SCREW M5X10		1		100		
C60	931202-6	HEX. NUT M5		1		100		
A02	251314-2	+ SCREW M4X12		2		100		
A03	346317-0	HOOK		1				
A04	452947-8	BIT HOLDER		1				
A05	784637-8	+- BIT 2-45		2				
A06	122576-8	STOPPER POLE ASS'Y		1				
A07H	***DC18RC	DC18RC FAST CHARGER		1				
A07I	***DC18RC	DC18RC FAST CHARGER		1				
A07J	821550-0	CONNECTOR PLASTIC CASE (TYPE2)		1				
C10	453974-8	LATCH		4		100		
A07K	***DC18RC	DC18RC FAST CHARGER		1				
A07L	***DC18RC	DC18RC FAST CHARGER		1				
A07M	***DC18RC	DC18RC FAST CHARGER		1				
A07Q	***DC18RC	DC18RC FAST CHARGER		1				
A08H	194204-5	BATTERY BL1830 SET		2	*			
A08I	194204-5	BATTERY BL1830 SET		2	*			
A08J	837679-2	INNER TRAY		1	*			
A08K	196399-0	BATTERY BL1840 SET		2	*			
A08L	196399-0	BATTERY BL1840 SET		2	*			
A08M	194204-5	BATTERY BL1830 SET		3	*			
A08Q	194204-5	BATTERY BL1830 SET		3	*			
A08-1H	194204-5	BATTERY BL1830 SET	O	2	*			
A08-1I	194204-5	BATTERY BL1830 SET	O	2	*			
A08-1J	837916-4	INNER TRAY	<	1				
A08-1K	196399-0	BATTERY BL1840 SET	O	2	*			
A08-1L	196399-0	BATTERY BL1840 SET	O	2	*			
A08-1M	194204-5	BATTERY BL1830 SET	O	3	*			
A08-1Q	194204-5	BATTERY BL1830 SET	O	3	*			
A08-2H	197600-6	BATTERY BL1830B SET	<	2				
A08-2I	197600-6	BATTERY BL1830B SET	<	2				
A08-2K	197265-4	BATTERY BL1840B SET	<	2				
A08-2L	197265-4	BATTERY BL1840B SET	<	2				
A08-2M	197600-6	BATTERY BL1830B SET	<	3				
A08-2Q	197600-6	BATTERY BL1830B SET	<	3				
A09H	450128-8	BATTERY COVER		1				

Model No. DHP458 CORDLESS HAMMER DRIVER DRILL

Item	Parts No.	Description	I/C	QTY	N/O	Opt. 1	Opt. 2	NOTE
A09I	450128-8	BATTERY COVER		1				
A09J	802J35-5	DHP458ZJ INDICATION LABEL		1		100		
A09K	450128-8	BATTERY COVER		1				
A09L	450128-8	BATTERY COVER		1				
A09M	450128-8	BATTERY COVER		2				
A09Q	450128-8	BATTERY COVER		2				
A10H	821524-1	PLASTIC CARRYING CASE		1				
C10	162302-3	LATCH		2		100		
C20	325809-2	SHAFT		1		100		
C30	451749-9	HANDLE		1				
C40	453473-0	PLASTIC CASE LID		1				
A10I	821550-0	CONNECTOR PLASTIC CASE (TYPE2)		1				
C10	453974-8	LATCH		4		100		
A10J	802J36-3	DHP458ZJ PLASTIC CASE LABEL		2		100		
A10K	821524-1	PLASTIC CARRYING CASE		1				
C10	162302-3	LATCH		2		100		
C20	325809-2	SHAFT		1		100		
C30	451749-9	HANDLE		1				
C40	453473-0	PLASTIC CASE LID		1				
A10L	821550-0	CONNECTOR PLASTIC CASE (TYPE2)		1				
C10	453974-8	LATCH		4		100		
A10M	821524-1	PLASTIC CARRYING CASE		1				
C10	162302-3	LATCH		2		100		
C20	325809-2	SHAFT		1		100		
C30	451749-9	HANDLE		1				
C40	453473-0	PLASTIC CASE LID		1				
A10Q	821550-0	CONNECTOR PLASTIC CASE (TYPE2)		1				
C10	453974-8	LATCH		4		100		
A11H	802J57-5	DHP458RFE PLASTIC CASE LABEL		2	*	100		
A11I	837679-2	INNER TRAY		1	*			
A11K	802J42-8	DHP458RME PLASTIC CASE LABEL		2	*	100		
A11L	837679-2	INNER TRAY		1	*			
A11M	802J61-4	DHP458RFE3 PLASTIC CASE LABEL		2	*	100		
A11-1H	802J59-1	DHP458RFE PLASTIC CASE LABEL	<	2				
A11-1I	837916-4	INNER TRAY	<	1				
A11-1K	802J41-0	DHP458RME PLASTIC CASE LABEL	<	2				
A11-1L	837916-4	INNER TRAY	<	1				
A11-1M	810L75-1	DHP458RFE3 PLASTIC CASE LABEL	<	2				
A11-1Q	837916-4	INNER TRAY		1				
A12I	802J33-9	DHP458RFJ INDICATION LABEL		1		100		
A12L	802J44-4	DHP458RMJ INDICATION LABEL		1	*	100		
A12Q	802J48-6	DHP458RF3J INDICATION LABEL		1				
A12-1L	806W42-8	DHP458RMJ INDICATION LABEL	<	1				
A13I	802J34-7	DHP458RFJ PLASTIC CASE LABEL		2		100		
A13L	802J45-2	DHP458RMJ PLASTIC CASE LABEL		2		100		
A13Q	802J49-4	DHP458RF3J PLASTIC CASE LABEL		2				