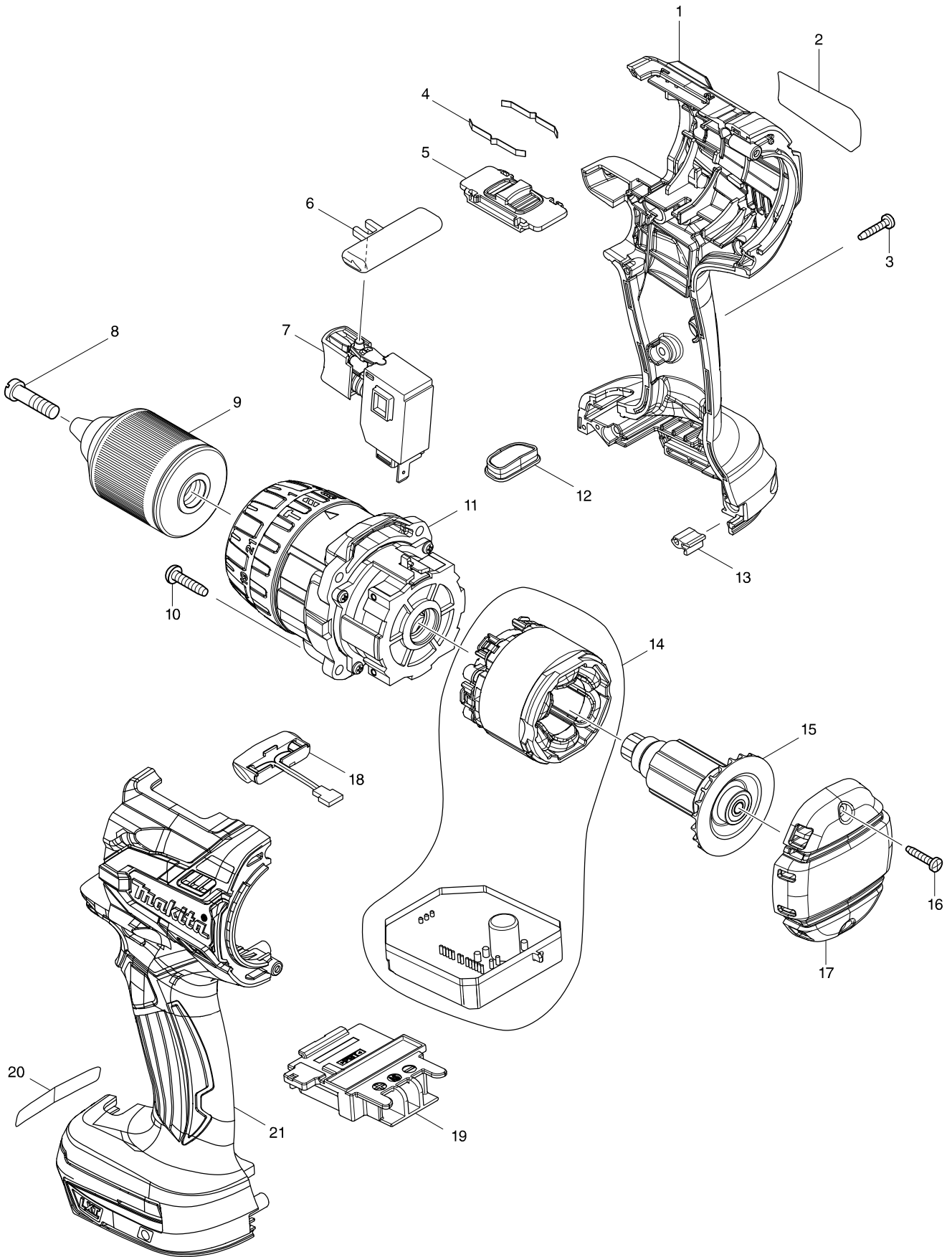


Model No. DHP481 CORDLESS HAMMER DRIVER DRILL



Model No. DHP481 CORDLESS HAMMER DRIVER DRILL

Item	Parts No.	Description	I/C	QTY	N/O	Opt. 1	Opt. 2	NOTE
001	187921-4	HOUSING SET		1				
C10	263005-3	RUBBER PIN 6		2		100		
D10		INC. 21						
002	815S71-6	DHP481 NAME PLATE		1				
003	266130-9	TAPPING SCREW BIND PT 3X16		7		100		
004	232220-0	LEAF SPRING		2		100		
005	126411-2	SPEED CHANGE LEVER ASSEMBLY		1				
C10	233438-6	COMPRESSION SPRING 4		2		100		
006	419250-0	F/R CHANGE LEVER		1		100		
007	650710-5	SWITCH C3JW-4B		1		100		
008	251468-5	- FLAT HEAD SCREW M6X22		1		100		
009	766015-4	KEYLESS DRILL CHUCK 13		1	*	100		
009-1	763248-2	KEYLESS DRILL CHUCK 13	<	1				
010	265995-6	TAPPING SCREW 4X18		4		100		
011	126410-4	GEAR ASSEMBLY		1				
012	142263-3	INDICATOR PANEL COMPLETE		1		100		
013	424517-3	CUSHION		1		100		
014	629116-8	STATOR COMPLETE		1				
015	619336-2	ROTOR		1	*			
015-1	619397-2	ROTOR	O	1				
016	266130-9	TAPPING SCREW BIND PT 3X16		2		100		
017	455011-4	REAR COVER		1				
018	620283-2	LED CIRCUIT		1				
019	643899-6	TERMINAL		1		100		
021	187921-4	HOUSING SET		1				
C10	263005-3	RUBBER PIN 6		2		100		
D10		INC. 1						
A01	122576-8	STOPPER POLE ASS'Y		1				
A02	126413-8	GRIP ASSEMBLY		1				
C10	142652-2	POLE COMPLETE		1				
C20	142653-0	ARM R COMPLETE		1				
C30	265785-7	THUMB SCREW M5X10		1		100		
C40	266886-4	HEX. BOLT M8X65		1				
C50	319129-4	ARM L		1				
C60	931202-6	HEX. NUT M5		1		100		
C70	962055-2	RETAINING RING (INT) R-15		1				
A03	251314-2	+ SCREW M4X12		2		100		
A04	346317-0	HOOK		1				
A05	452947-8	BIT HOLDER		1				
A06	784637-8	+/- BIT 2-45		2				
A07B	821550-0	CONNECTOR PLASTIC CASE (TYPE2)		1				
C10	453974-8	LATCH		4		100		
A07C	821550-0	CONNECTOR PLASTIC CASE (TYPE2)		1				
C10	453974-8	LATCH		4		100		
A08B	837916-4	INNER TRAY		1				
A08C	837916-4	INNER TRAY		1				
A09B	804D77-9	DHP481RMJ INDICATION LABEL		1	*			
A09C	804D81-8	DHP481RTJ INDICATION LABEL		1	*			

