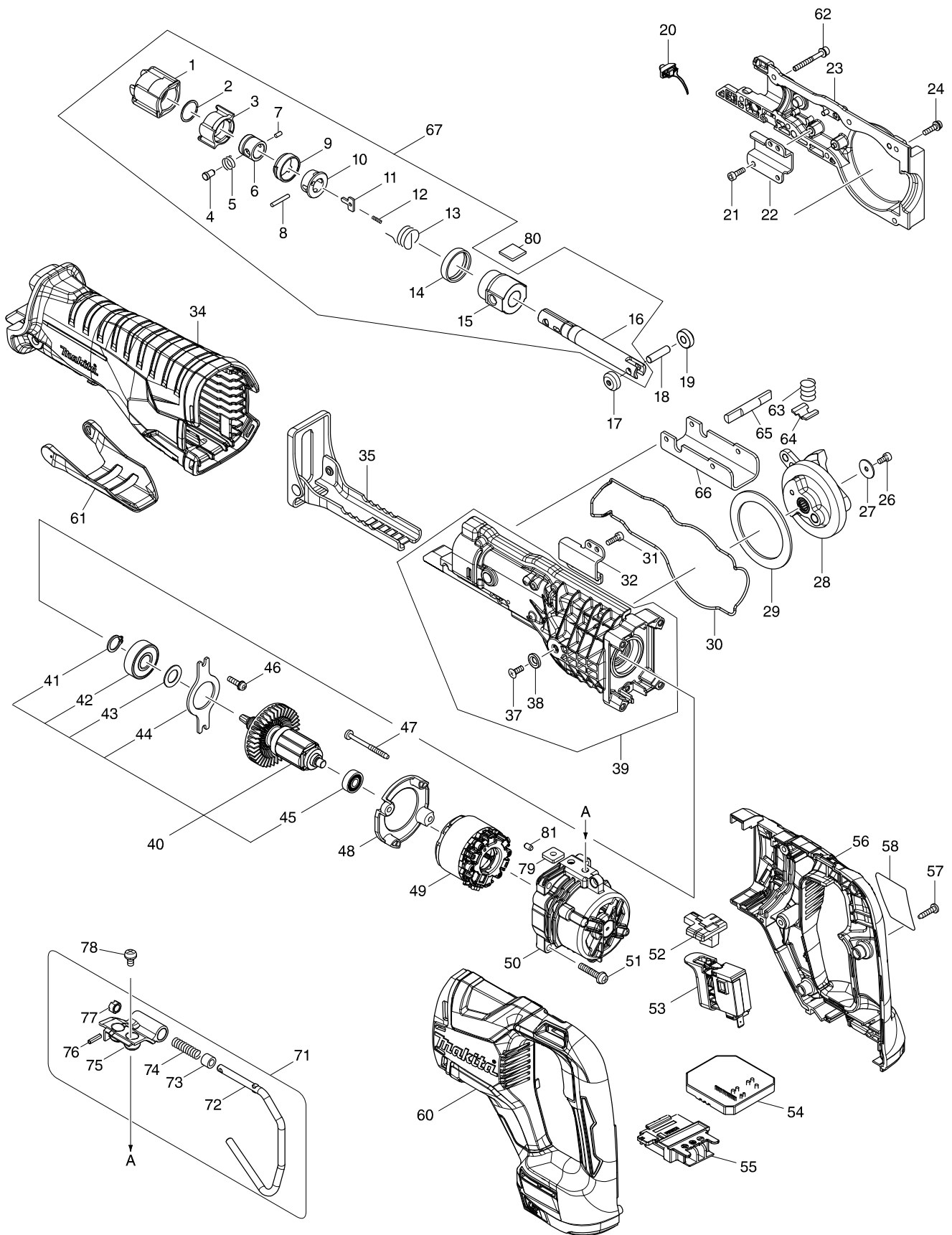


# Model No. DJR187 CORDLESS RECIPRO SAW



# Model No. DJR187 CORDLESS RECIPRO SAW

Item	Parts No.	Description	I/C	QTY	N/O	Opt. 1	Opt. 2	NOTE
001	424763-8	PROTECTOR		1				
002	257952-8	RETAINING RING (EXT) 18		1		100		
003	310662-9	DRIVING SLEEVE		1				
004	256569-4	SHOULDER PIN 5		1				
005	234381-2	COMPRESSION SPRING 6		1				
006	331720-8	GUIDE SLEEVE		1		100		
007	268094-3	PIN 3		1		100		
008	256158-5	PIN 3		1		100		
009	417791-0	DRIVING SLEEVE GUIDE		1		100		
010	418311-3	SLEEVE		1		100		
011	345214-7	PUSH PLATE		1		100		
012	233025-1	COMPRESSION SPRING 2		1		100		
013	231687-9	TORSION SPRING 17		1		100		
014	424762-0	RUBBER RING		1				
015	143365-8	SLIDER GUIDE COMPLETE		1				
C10	213151-2	OIL SEAL 14		1		100		
C20	213174-0	X RING 14		1		100		
016	161376-1	SLIDER		1				
017	310663-7	ROLLER		1				
018	268341-2	PIN 6		1				
019	310663-7	ROLLER		1				
020	620434-7	LED CIRCUIT		1				
021	922117-8	HEX. SOCKET HEAD BOLT M4X12		2	*	100		
021-1	265353-6	HEX. SOCKET HEAD BOLT M4X12	<	2		100		
022	346936-2	ROD GUIDE R		1				
023	143362-4	GEAR HOUSING R COMPLETE		1				
024	911128-8	P.H.SCREW M4X16 WITH WR		5		100		
026	922107-1	HEX. SOCKET HEAD BOLT M4X8		1	*	100		
026-1	265911-8	HEX. SOCKET HEAD BOLT M4X8	<	1		155		
027	267491-0	FLAT WASHER 4		1				
028	143359-3	GEAR COMPLETE		1				
029	267490-2	FLAT WASHER 54		1				
030	424764-6	SEAL RING		1				
031	922117-8	HEX. SOCKET HEAD BOLT M4X12		2	*	100		
031-1	265353-6	HEX. SOCKET HEAD BOLT M4X12	<	2		100		
032	346935-4	ROD GUIDE L		1				
034	424765-4	INSULATION COVER		1				
035	161374-5	SHOE		1				
037	912112-6	COUNTERSUNK HEAD SCREW M4X10		1	*	100		
037-1	265135-6	+ COUNTERSUNK HEAD SCREW M4X10	<	1		100		
038	253825-3	FLAT WASHER 6		1		100		
039	123509-6	GEAR HOUSING L ASSEMBLY		1	*			
D10		INC. 37,38			*			
039-1	126677-4	GEAR HOUSING L ASSEMBLY	<	1				
D10		INC. 37,38			*			
040	519391-3	ROTOR ASSY		1	*			
D10		INC. 41-45			*			
040-1	519418-9	ROTOR ASSY	O	1				

# Model No. DJR187 CORDLESS RECIPRO SAW

Item	Parts No.	Description	I/C	QTY	N/O	Opt. 1	Opt. 2	NOTE
D10		INC. 41-45						
041	961052-5	RETAINING RING S-12		1		100		
042	210118-1	BALL BEARING 6201DDW		1				
043	253744-3	FLAT WASHER 12		1		100		
044	285740-3	BEARING RETAINER 66		1				
045	210062-2	BALL BEARING 607ZZ		1		100		
046	911128-8	P.H.SCREW M4X16 WITH WR		2		100		
047	266069-6	TAPPING SCREW 4X45		2		100		
048	456178-1	BAFFLE PLATE		1				
049	629179-4	STATOR		1				
050	456179-9	MOTOR HOUSING		1				
051	911243-8	PAN HEAD SCREW M5X25		4		100		
052	456177-3	CHANGE BUTTON		1				
053	650759-5	SWITCH C3JW-6B-2		1				
054	620432-1	CONTROLLER A		1				
055	643899-6	TERMINAL		1	*	100		
055-1	643874-2	TERMINAL	S	1				
056	183C47-8	HANDLE SET		1	*			
C10	263005-3	RUBBER PIN 6		2	*	100		
D10		INC. 60			*			
056-1	183D21-2	HANDLE SET	S	1				
C10	263005-3	RUBBER PIN 6		2		100		
D10		INC. 60						
057	266326-2	TAPPING SCREW 4X18		6		100		
058	851P12-0	DJR187 NAME PLATE		1				
060	183C47-8	HANDLE SET		1	*			
C10	263005-3	RUBBER PIN 6		2	*	100		
D10		INC. 56			*			
060-1	183D21-2	HANDLE SET	S	1				
C10	263005-3	RUBBER PIN 6		2		100		
D10		INC. 56						
061	456176-5	LOCK LEVER		1				
062	266979-7	HEX.SOCKET HEAD BOLT M4X35 WR		2				
063	231231-2	COMPRESSION SPRING 12		1		100		
064	346938-8	SHOE LOCK PLATE		1				
065	326599-0	LOCK PIN		1				
066	346937-0	SHOE GUIDE PLATE		1				
067	123510-1	SLIDER ASSEMBLY		1				
D10		INC. 1-16						
071	123455-3	HOOK ASSEMBLY		1				
D10		INC. 72-77						
072	281223-1	HOOK		1				
073	262561-0	SLEEVE 6		1		100		
074	233455-6	COMPRESSION SPRING 7		1		100		
075	319344-0	JOINT		1				
076	951057-3	SPRING PIN 3-12		1		100		
077	310661-1	LOCK SLEEVE		1				
078	911206-4	PAN HEAD SCREW M5X10		2		100		

