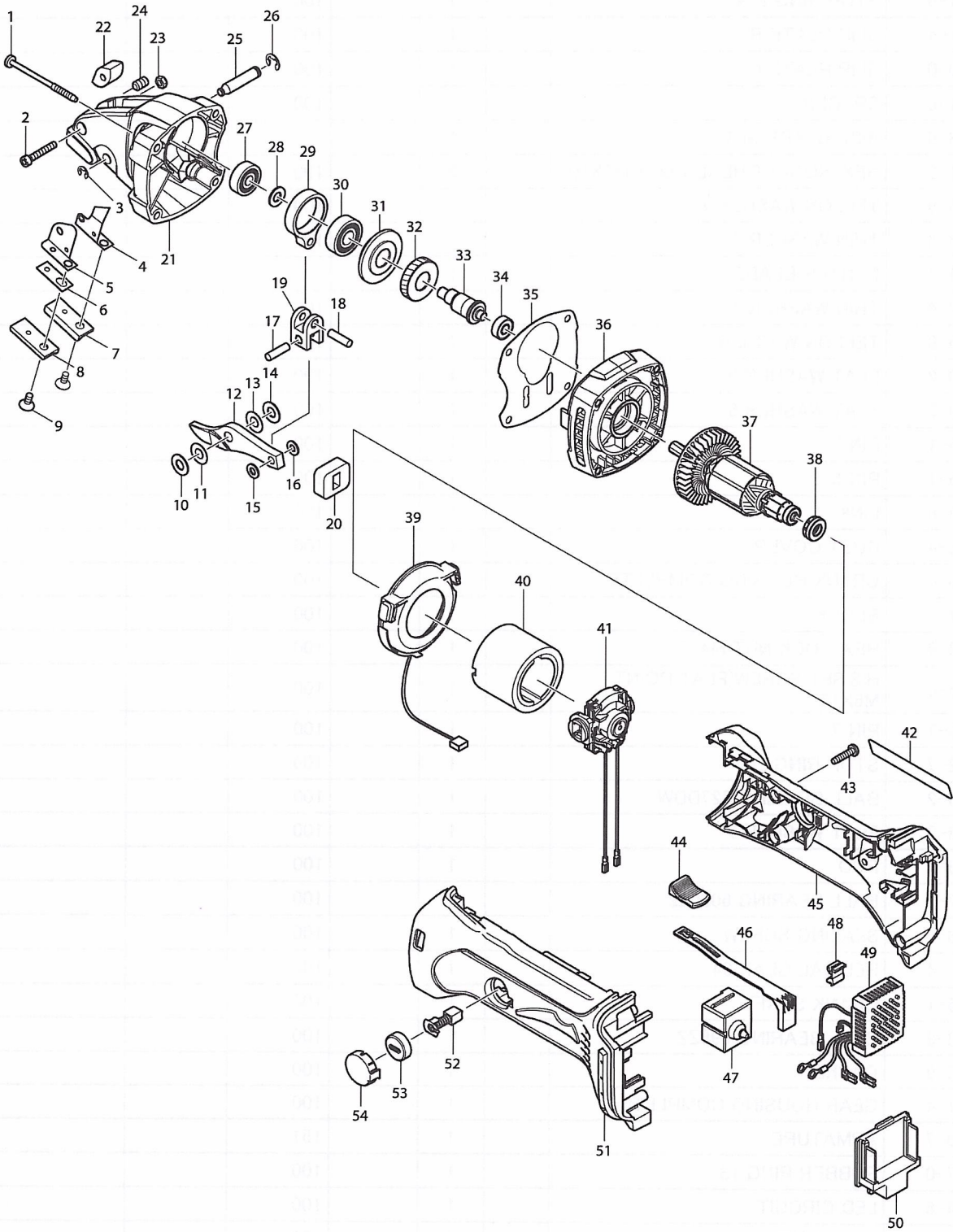


Model No.DJS161 CORDLESS STRAIGHT SHEAR 1.6MM



Model No.DJS161 CORDLESS STRAIGHT SHEAR 1.6MM

Item	Parts No.	Description	I/C	QTY	New/Old	Opt. 1	Opt. 2	NOTE
001	266091-3	TAPPING SCREW 4X50		4		100		
002	922147-9	HEX. SOCKET HEAD BOLT M4X25		1		100		
003	961011-9	STOP RING E-4		1		100		
004	346131-4	SLIP PLATE R		1		100		
005	343480-0	SLIP PLATE L		1		100		
006	343481-8	SPACER		1		100		
007	792533-6	SIDE BLADE SET		1				
009	251951-2	HEX. SOCKET HEAD BOLT M5X10		2		100		
010	261065-9	TEFLON WASHER 7		1		100		
011	253338-4	THIN WASHER 7		1		100		
012	792534-4	CENTER BLADE		1				
013	253338-4	THIN WASHER 7		1		100		
014	261065-9	TEFLON WASHER 7		1		100		
015	267010-2	FLAT WASHER 5		1		100		
016	267010-2	FLAT WASHER 5		1		100		
017	256155-1	PIN 5		1		100		
018	256155-1	PIN 5		1		100		
019	331329-6	LINK		1		100		
020	423118-4	DUST COVER		1		100		
021	140130-6	CRANK HOUSING COMPLETE		1		100		
022	325727-4	BLOCK		1		100		
023	252083-8	HEX. LOCK NUT M4-7		1		100		
024	266085-8	H.S.SET SCREW(FLAT POINT) M6X10		1		100		
025	256733-7	PIN 7		1		100		
026	961012-7	STOP RING E-6		1		100		
027	210023-2	BALL BEARING 627DDW		1		100		
028	253133-2	FLAT WASHER 7		1		100		
029	331273-7	ROD		1		100		
030	210067-2	BALL BEARING 6000ZZ		1		100		
031	325716-9	SEALING SCREW		1		100		
032	227716-4	HELICAL GEAR 34		1		100		
033	325715-1	CRANK SHAFT		1		100		
034	210033-9	BALL BEARING 696ZZ		1		100		
035	442150-9	GASKET		1		100		
036	140131-4	GEAR HOUSING COMPLETE		1		100		
037	619249-7	ARMATURE		1		151		
038	421977-0	RUBBER RING 13		1		100		
039	631714-6	LED CIRCUIT		1		100		
040	638627-2	YOKE UNIT		1		100		
041	638921-2	ENDBELL COMPLETE		1		100		
042	815T27-5	DJS161 NAME PLATE		1				
043	265995-6	TAPPING SCREW 4X18		5		100		
044	419566-3	SWITCH KNOB		1		100		
045	187839-9	HOUSING SET		1				
C10	263005-3	RUBBER PIN 6		2		100		

Please order the parts with part number.

Print Date 22/10/2019



Model No.DJS161 CORDLESS STRAIGHT SHEAR 1.6MM

Item	Parts No.	Description	I/C	QTY	New/Old	Opt. 1	Opt. 2	NOTE
D10		INC. 51						
046	419519-2	SWITCH LEVER		1		100		
047	650579-7	SWITCH 1246.3223		1		100		
048	424026-2	CUSHION		1		100		
049	620243-4	CONTROLLER		1		100		
050	644808-8	TERMINAL		1		100		
051	187839-9	HOUSING SET		1				
C10	263005-3	RUBBER PIN 6		2		100		
D10		INC. 45						
052	191971-3	CARBON BRUSH CB-430		1		100		
053	643929-3	BRUSH HOLDER CAP		2		100		
054	419518-4	HOLDER CAP COVER		2		100		
A01	762013-6	THICKNESS GAUGE		1				
A02	783201-2	HEX. WRENCH 3		1				
A03G	***DC18RC	DC18RC FAST CHARGER		1				
A03H	***DC18RC	DC18RC FAST CHARGER		1				
A03J	***DC18RC	DC18RC FAST CHARGER		1				
A04G	194204-5	BATTERY BL1830 SET		2	*			
A04H	194204-5	BATTERY BL1830 SET		2	*			
A04-1G	194204-5	BATTERY BL1830 SET	O	2	*			
A04-1H	194204-5	BATTERY BL1830 SET	O	2	*			
A04-1J	196399-0	BATTERY BL1840 SET		2	*			
A04-2G	197600-6	BATTERY BL1830B SET	<	2	*			
A04-2H	197600-6	BATTERY BL1830B SET	<	2	*			
A04-2J	197265-4	BATTERY BL1840B SET	<	2	*			
A04-3G	197600-6	BATTERY BL1830B SET	O	2				
A04-3H	197600-6	BATTERY BL1830B SET	O	2				
A04-3J	197265-4	BATTERY BL1840B SET	O	2				
A05G	450128-8	BATTERY COVER		1				
A05H	450128-8	BATTERY COVER		2				
A05J	450128-8	BATTERY COVER		2				
A06G	141478-9	PLASTIC CASE COMPLETE		1				
C10	163455-1	LATCH		2				
A06H	821550-0	CONNECTOR PLASTIC CASE (TYPE2)		1				
C10	453974-8	LATCH		4		100		
A06I	821550-0	CONNECTOR PLASTIC CASE (TYPE2)		1				
C10	453974-8	LATCH		4		100		
A06J	821550-0	CONNECTOR PLASTIC CASE (TYPE2)		1				
C10	453974-8	LATCH		4		100		
A07H	837636-0	INNER TRAY		1				
A07I	837636-0	INNER TRAY		1				
A07J	837636-0	INNER TRAY		1				
A08H	804C27-8	DJS161RFJ INDICATION LABEL		1				
A08I	804C29-4	DJS161ZJ INDICATION LABEL		1				

