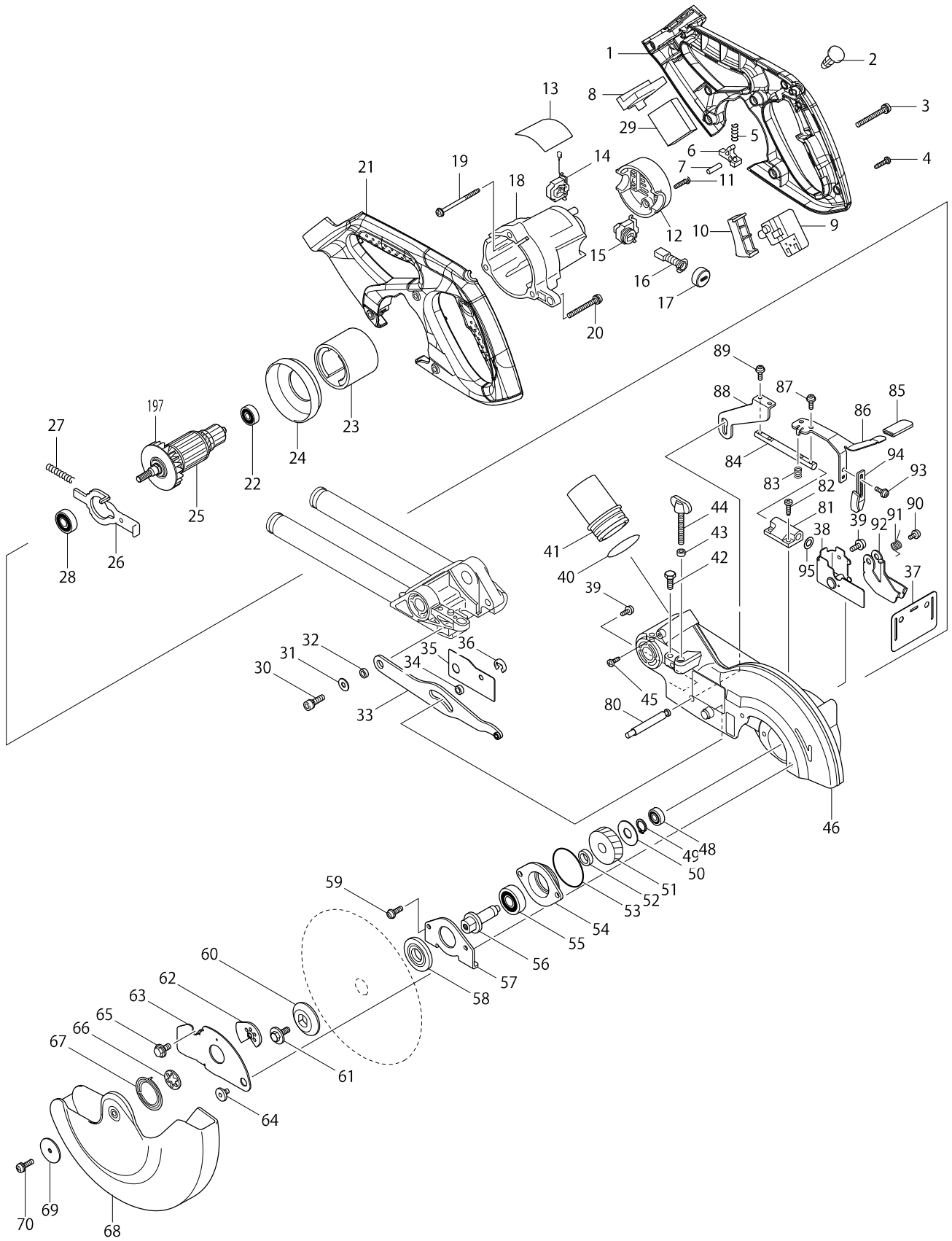
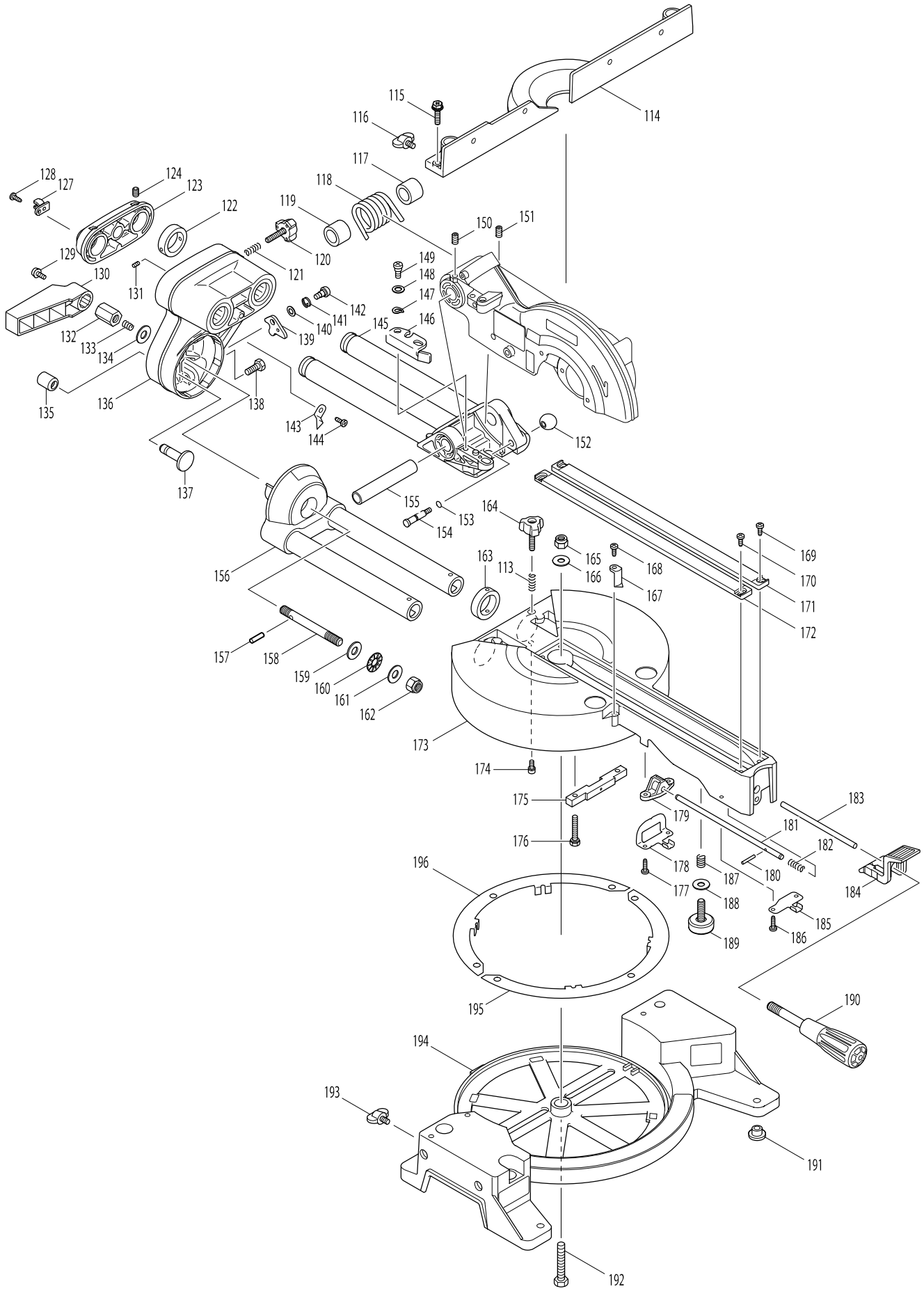


# Model No. DLS713 190MM SLIDE COMPOUND SAW



# Model No. DLS713 190MM SLIDE COMPOUND SAW



# Model No. DLS713 190MM SLIDE COMPOUND SAW

Item	Parts No.	Description	I/C	QTY	N/O	Opt. 1	Opt. 2	NOTE
001	188961-5	HANDLE SET		1		100		
	D10	INC. 21						
002	417113-4	SWITCH BUTTON		1		100		
003	911268-2	PAN HEAD SCREW M5X45		3		100		
004	265995-6	TAPPING SCREW 4X18		5		100		
005	231026-3	COMPRESSION SPRING 4		1		100		
006	416533-9	LOCK OFF LEVER		1		100		
007	256123-4	PIN 5		1		100		
008	644808-8	TERMINAL		1		100		
009	651956-6	SWITCH TG72BD		1		100		
010	452130-7	SWITCH LEVER		1		100		
011	265995-6	TAPPING SCREW 4X18		2		100		
012	416639-3	REAR COVER		1		100		
013	815T55-0	DLS713 NAME PLATE		1				
014	643864-5	BRUSH HOLDER		1		100		
015	643863-7	BRUSH HOLDER		1		100		
016	194435-6	CARBON BRUSH CB-441		1		100		
017	643941-3	BRUSH HOLDER CAP		2		100		
018	416909-0	MOTOR HOUSING		1		100		
019	266209-6	TAPPING SCREW 4X60		2		100		
020	911268-2	PAN HEAD SCREW M5X45		3		100		
021	188961-5	HANDLE SET		1		100		
	D10	INC. 1						
022	210023-2	BALL BEARING 627DDW		1	*	100		
022-1	210045-2	BALL BEARING 627DDW	O	1		100		
023	632828-4	YOKE UNIT		1		100		
024	416907-4	BAFFLE PLATE		1		100		
025	519269-0	ARMATURE ASS'Y 18V		1		151		
	D10	INC. 22,28,197						
026	344681-3	SHAFT LOCK		1		100		
027	233092-6	COMPRESSION SPRING 5		1		100		
028	211088-7	BALL BEARING 6000DDW		1		100		
029	620263-8	CONTROLLER		1		100		
030	922331-6	HEX. SOCKET HEAD BOLT M6X20		1		100		
031	253804-1	FLAT WASHER 6		1		100		
032	257163-5	RING 6		1		100		
033	154643-1	LINK PLATE COMPLETE		1		100		
034	257163-5	RING 6		1		100		
035	346330-8	LINK COVER		1		100		
036	961018-5	STOP RING E-5		1		100		
037	421626-9	GUARD		1		100		
038	165414-1	GUARD PLATE COMPLETE		1		100		
039	911113-1	PAN HEAD SCREW M4X10 WITH WR		1		100		
040	213460-9	O RING 35		1		100		
041	419277-0	DUST NOZZLE		1				
042	266757-5	HEX. SOCKET HEAD BOLT M6X16		1		100		
043	262001-8	URETHANE RING 5		1		100		
044	265717-4	SCREW M6X43		1		100		

# Model No. DLS713 190MM SLIDE COMPOUND SAW

Item	Parts No.	Description	I/C	QTY	N/O	Opt. 1	Opt. 2	NOTE
045	266026-4	TAPPING SCREW BIND CT 4X12		1		100		
046	140607-1	BLADE CASE COMPLETE		1	*	100		
C10	263002-9	RUBBER PIN 4		1	*	100		
C20	263005-3	RUBBER PIN 6		1	*	100		
C30	810968-0	CAUTION LABEL		1	*	100		
046-1	143350-1	BLADE CASE COMPLETE	<	1				
C10	263002-9	RUBBER PIN 4		1		100		
C20	263005-3	RUBBER PIN 6		1		100		
048	211021-9	BALL BEARING 607LLB		1		100		
049	961052-5	RETAINING RING S-12		1		100		
050	253813-0	FLAT WASHER 12		1		100		
051	226512-7	HELICAL GEAR 60		1		100		
052	257011-8	RING 12		1		100		
053	213623-7	O RING 46		1		100		
054	317193-9	BEARING BOX		1		100		
055	211129-9	BALL BEARING 6201DDW		1		100		
056	323798-5	SPINDLE		1		100		
057	285736-4	BEARING RETAINER 58		1		100		
058	224370-5	INNER FLANGE 40		1		100		
059	911223-4	PAN HEAD SCREW M5X16		2		100		
060	224275-9	OUTER FLANGE 40		1		100		
061	266733-9	HEX. S.F.H. BOLT M6X16		1		100		
062	345585-2	CENTER PLATE		1		100		
063	346232-8	CENTER COVER		1		100		
064	265985-9	HEX.SOCKET HEAD BOLT M6		1		100		
065	266732-1	HEX. SOCKET HEAD BOLT M6X16		1		100		
066	345589-4	CENTER WASHER		1		100		
067	231934-8	SPIRAL SPRING 26		1		100		
068	453298-2	SAFETY COVER		1		100		
069	267136-0	FLAT WASHER 5		1		100		
070	911228-4	PAN HEAD SCREW M5X18		1	*	100		
070-1	265491-4	H.S. BUTTON HEAD BOLT M5X16	<	1		100		
080	324455-8	LOCK PIN		1		100		
081	452134-9	ROD HOLDER		1		100		
082	266034-5	TAPPING SCREW CT 4X16		2		100		
083	231316-4	COMPRESSION SPRING 7		1		100		
084	325980-2	ROD 8		1		100		
085	421589-9	CAP		1		100		
086	346320-1	LOCK LEVER		1		100		
087	911113-1	PAN HEAD SCREW M4X10 WITH WR		2		100		
088	346322-7	LOCK PLATE		1		100		
089	911113-1	PAN HEAD SCREW M4X10 WITH WR		2		100		
090	911114-9	PAN HEAD SCREW M4X10		1		100		
091	231690-0	TORSION SPRING 8		1		100		
092	346550-4	GUARD		1		100		
093	911113-1	PAN HEAD SCREW M4X10 WITH WR		2		100		
094	346321-9	SUB LEVER		1		100		
095	253215-0	FLAT WASHER 8		1		100		

# Model No. DLS713 190MM SLIDE COMPOUND SAW

Item	Parts No.	Description	I/C	QTY	N/O	Opt. 1	Opt. 2	NOTE
113	231325-3	COMPRESSION SPRING 6		1		100		
114C	318655-0	GUIDE FENCE		1	*			
114D	318655-0	GUIDE FENCE		1	*			
114-1C	319193-5	GUIDE FENCE	<	1				
114-1D	319193-5	GUIDE FENCE	<	1				
114-1E	319193-5	GUIDE FENCE		1				
115	922344-7	H.S.H.BOLT M6X25 WITH WG		3		100		
116	251887-5	SCREW M6X10		1		100		
117	416535-5	SLEEVE 17		1		100		
118	231638-2	TORSION SPRING 28		1		100		
119	416535-5	SLEEVE 17		1		100		
120	265790-4	THUMB SCREW M6X28		1		100		
121	231325-3	COMPRESSION SPRING 6		1		100		
122	257214-4	RING 26		1		100		
123	318651-8	PIPE HOLDER		1		100		
124	266208-8	H.S.SET SCREW(CUP POINT)M6X8		2		100		
127	687045-1	STRAIN RELIEF		1		100		
128	266026-4	TAPPING SCREW BIND CT 4X12		1		100		
129	911113-1	PAN HEAD SCREW M4X10 WITH WR		1		100		
130	416006-2	LEVER 100		1		100		
131	913106-4	SET SCREW M4X8		1		100		
132	252144-4	HEX. NUT M10-17		1		100		
133	231266-3	COMPRESSION SPRING 5		1		100		
134	253024-7	FLAT WASHER 10		1		100		
135	286236-7	CAP 16		1		100		
136	140609-7	ARM COMPLETE		1		100		
C10	211376-2	LINEAR BALL BEARING 2560		2		100		
C20	262077-5	FELT RING 25		4		100		
C30	263005-3	RUBBER PIN 6		2		100		
C40	344638-4	CAP 35		2		100		
137	324295-4	RELEASE PIN		1		100		
138	266757-5	HEX. SOCKET HEAD BOLT M6X16		2		100		
139	345299-3	STOPPER PLATE		1		100		
140	253726-5	FLAT WASHER 6		1		100		
141	231663-3	TORSION SPRING 8		1		100		
142	265113-6	+PAN HEAD SCREW M5		1		100		
143	343678-9	POINTER		1		100		
144	266026-4	TAPPING SCREW BIND CT 4X12		1		100		
145	140608-9	FRONT ARM COMPLETE		1		100		
146	344643-1	STOPPER ARM		1		100		
147	253948-7	WAVE WASHER 8		1		100		
148	253835-0	FLAT WASHER 8		1		100		
149	251267-5	+ PAN HEAD SCREW M6		1		100		
150	251961-9	H.S.SET SCREW(FLAT POINT)M6X10		1		100		
151	251961-9	H.S.SET SCREW(FLAT POINT)M6X10		1		100		
152	271601-3	KNOB 20		1		100		
153	213021-5	O RING 5		1		100		
154	324183-5	STOPPER PIN		1		100		

# Model No. DLS713 190MM SLIDE COMPOUND SAW

Item	Parts No.	Description	I/C	QTY	N/O	Opt. 1	Opt. 2	NOTE
155	331350-5	PIN 16-90		1	100			
156	140610-2	ARM HOLDER COMPLETE		1	100			
C10	816392-5	BEVEL SCALE LABEL		1	100			
157	256123-4	PIN 5		1	100			
158	266320-4	SCREW M10		1	100			
159	253024-7	FLAT WASHER 10		1	100			
160	216413-7	THRUST NEEDLE CAGE 1024		1	100			
161	253024-7	FLAT WASHER 10		1	100			
162	252130-5	HEX. LOCK NUT M10-17		1	100			
163	257214-4	RING 26		1	100			
164	265790-4	THUMB SCREW M6X28		1	100			
165	252105-4	HEX. LOCK NUT M8-13		1	100			
166	253731-2	FLAT WASHER 8		1	100			
167	416355-7	INDICATION PLATE		1	100			
168	266026-4	TAPPING SCREW BIND CT 4X12		1	100			
169	266026-4	TAPPING SCREW BIND CT 4X12		2	100			
170	266026-4	TAPPING SCREW BIND CT 4X12		2	100			
171	419103-3	KERF BOARD		1	100			
172	419103-3	KERF BOARD		1	100			
173	140614-4	TURN BASE COMPLETE		1	100			
C10	211376-2	LINEAR BALL BEARING 2560		2	100			
C20	262077-5	FELT RING 25		4	100			
C30	263005-3	RUBBER PIN 6		1	100			
C40	344638-4	CAP 35		2	100			
C50	817283-3	CAUTION LABEL		2	100			
C60	810495-7	CAUTION LABEL		1	100			
174	922111-0	HEX. SOCKET HEAD BOLT M4X10		1	100			
175	153580-6	SQUARE ROD COMPLETE		1	100			
C10	263005-3	RUBBER PIN 6		1	100			
176	925251-3	HEX.BOLT M5X30		2	100			
177	266034-5	TAPPING SCREW CT 4X16		2	100			
178	344601-7	LOCK PLATE		1	100			
179	317616-7	PIN HOLDER		1	100			
180	256158-5	PIN 3		1	100			
181	324288-1	LOCK PIN		1	100			
182	231325-3	COMPRESSION SPRING 6		1	100			
183	324289-9	ROD 6		1	100			
184	416450-3	LOCK LEVER		1	100			
185	345272-3	LOCK LEVER PLATE		1	100			
186	266034-5	TAPPING SCREW CT 4X16		2	100			
187	231418-6	COMPRESSION SPRING 9		1	100			
188	253731-2	FLAT WASHER 8		1	100			
189	266432-3	ADJUST BOLT M8X27		1	100			
190	273658-0	GRIP 32		1				
191	286212-1	CAP 20		5	100			
192	921472-5	HEX. BOLT M8X50		1	100			
193	251887-5	SCREW M6X10		2	100			
194	140612-8	BASE COMPLETE		1	100			

**Model No. DLS713 190MM SLIDE COMPOUND SAW**

Item	Parts No.	Description	I/C	QTY	N/O	Opt. 1	Opt. 2	NOTE
C10	816339-9	MITER SCALE PLATE		1		100		
C20	810486-8	CAUTION LABEL		1		100		
195	344646-5	SLIDE PLATE		1		100		
196	344646-5	SLIDE PLATE		1		100		
197	241873-4	FAN 55		1		100		
A01	122571-8	VICE ASS'Y		1				
C10	316938-2	WISE ARM		1		100		
C20	251887-5	SCREW M6X10		1		100		
C30	322313-2	WISE ROD		1		100		
C40	265733-6	THUMB SCREW M10X60		1		100		
C50	253804-1	FLAT WASHER 6		1		100		
C60	343651-9	WISE PLATE		1		100		
C70	251370-2	+ PAN HEAD SCREW M5		1		100		
A02	122852-0	DUST BAG ASS'Y		1				
C10	410602-8	FASTENER		1				
A03	762001-3	TRIANGULAR RULE		1				
A04	322312-4	HOLDER		2		100		
A05	783203-8	HEX. WRENCH 5		1				
A06	A-86147	T.C.T.SAW BLADE 190X20X40T		1				
A07D	***DC18RC	DC18RC FAST CHARGER		1				
A07E	***DC18RC	DC18RC FAST CHARGER		1				
A08D	194204-5	BATTERY BL1830 SET		2	*			
A08-1D	194204-5	BATTERY BL1830 SET	O	2	*			
A08-1E	196399-0	BATTERY BL1840 SET		2	*			
A08-2D	197600-6	BATTERY BL1830B SET	<	2				
A08-2E	197265-4	BATTERY BL1840B SET	<	2				
A09D	450128-8	BATTERY COVER		1				
A09E	450128-8	BATTERY COVER		1				
E01	142811-8	SUB FENCE COMPLETE		1				
E02	252014-7	HEX. LOCK NUT M6-10		1		100		
E03	266061-2	TAPPING SCREW BIND CT 4X8		1		100		
E04	345359-1	SUB FENCE PLATE		1				
E05	912357-6	COUNTERSUNK HEAD SCREW M6X35		1		100		
E06	253804-1	FLAT WASHER 6		1		100		